

THIS DRAWING IS UNPUBLISHED. RELEASED FOR PUBLICATION
 © COPYRIGHT BY TYCO ELECTRONICS CORPORATION. ALL INTERNATIONAL RIGHTS RESERVED.

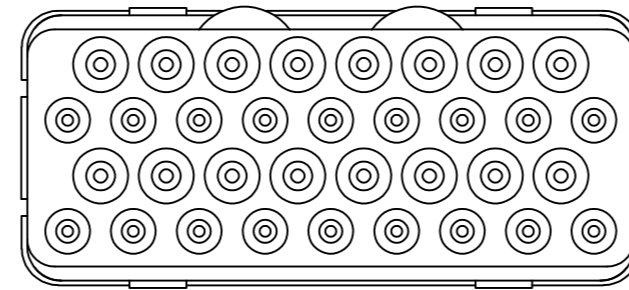
LOC		DIST		REVISIONS			
P	LTR	DESCRIPTION	DATE	DWN	APVD		
		0	CONVERTED RADIALL DWG TO TYCO ACAD DWG	11/03	--	--	
		1	REVISED	22APR10	RF	JM	

1 FRONT & REAR INSULATORS: THERMOSET PER ASTM D5948
 CONTACT RETENTION CLIPS: COPPER ALLOY PER ASTM B 194
 REAR GROMMET: FLUOROSILICONE ELASTOMER PER MIL-R-25988B, EXCEPT 4.6.6.1

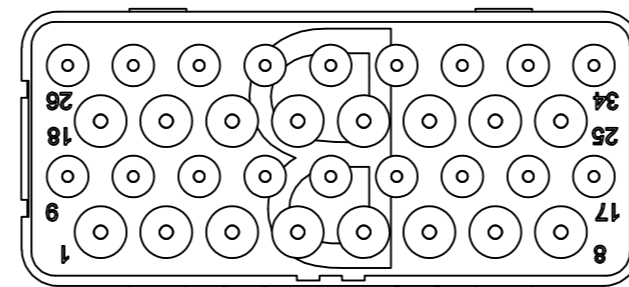
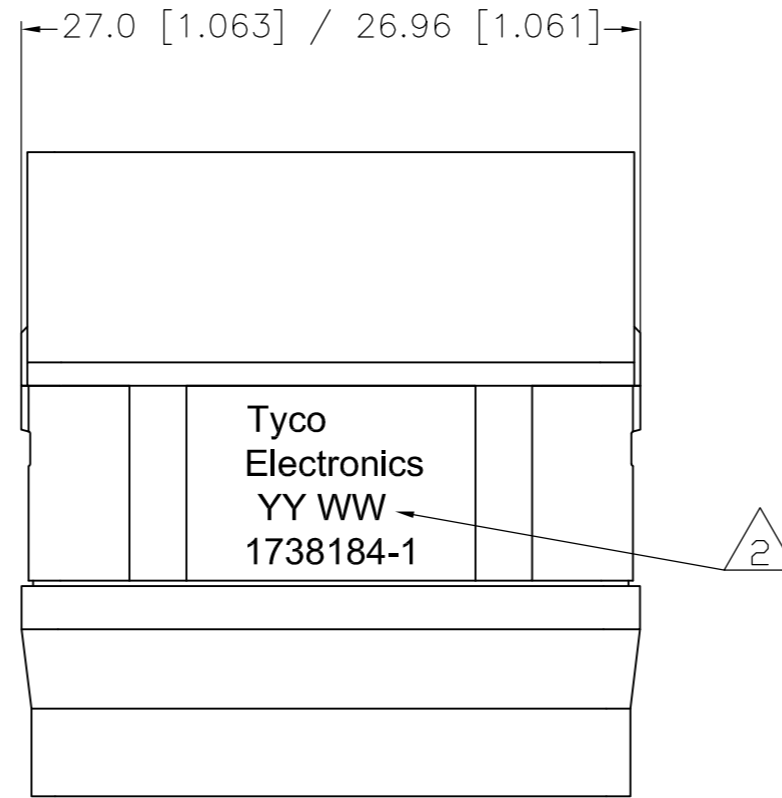
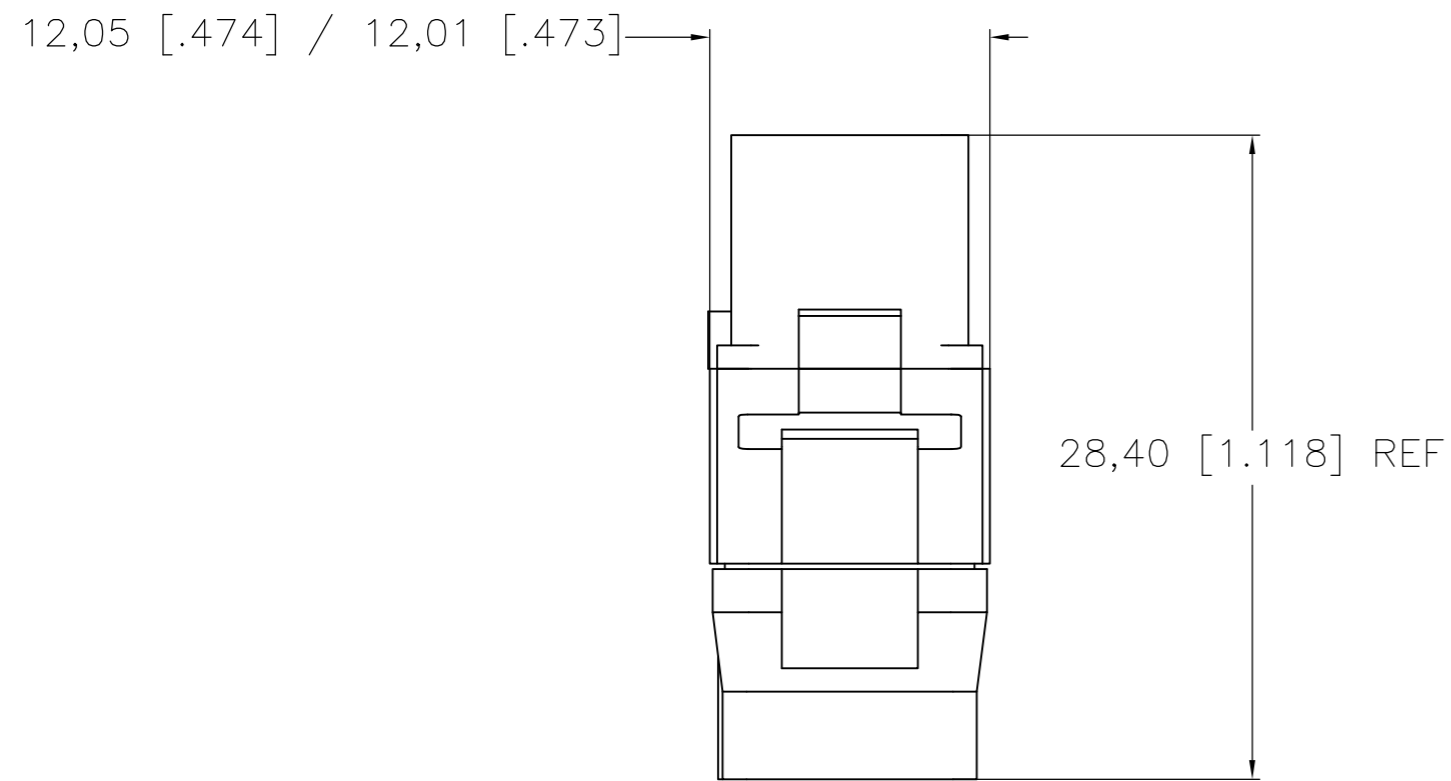
2 DATE CODE: YEAR & WEEK (YY WW)

3. DESCRIPTIVE PART NUMBER: GPRBE34SB
 THIS INSERT CONTAINS:
 16 CAVITIES FOR SIZE 20 SOCKET CONTACTS
 18 CAVITIES FOR SIZE 22 SOCKET CONTACTS

4. THIS PRODUCT IS SOLD BY TYCO ELECTRONICS
 UNDER A LICENSE FROM RADIALL SA.



MATING FACE



THIS PRINT IS
PRELIMINARY
 UNQUALIFIED PRODUCT
 CONTACT PRODUCT ENGINEERING
 BEFORE USING THIS PRINT

1738184-1
 PART NUMBER

THIS DRAWING IS A CONTROLLED DOCUMENT.		DWN	NOV03	Tyco Electronics Corporation	
		CHK	NOV03	Harrisburg, PA 17105-3608	
		APVD	NOV03	NAME	
		PRODUCT SPEC		GPR-B SOCKET INSERT	
		APPLICATION SPEC		CLASS E	
		WEIGHT		CONTACT ARRANGEMENT	
DIMENSIONS: mm [INCHES]		TOLERANCES UNLESS OTHERWISE SPECIFIED:		SIZE	CAGE CODE
0 PLC ± -		1 PLC ± -		A2	00779
2 PLC ± 0.05 [.002]		3 PLC ± -		DRAWING NO	
3 PLC ± -		4 PLC ± -		C=1738184	
4 PLC ± -		ANGLES ± -		RESTRICTED TO	
MATERIAL		FINISH		SCALE	
- 1		-		1:1	
CUSTOMER DRAWING				SHEET	REV
				1	1