

THIS DRAWING IS UNPUBLISHED. RELEASED FOR PUBLICATION  
 © COPYRIGHT BY TYCO ELECTRONICS CORPORATION. ALL INTERNATIONAL RIGHTS RESERVED.

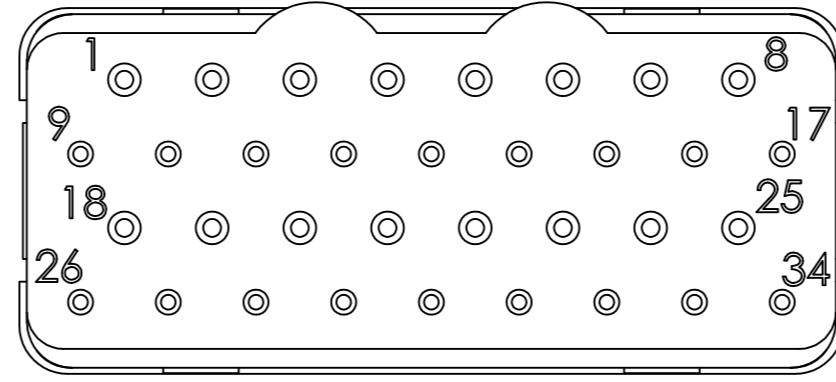
| LOC | DIST | REVISIONS   |  |         |      |    |
|-----|------|-------------|--|---------|------|----|
| P   | LTR  | DESCRIPTION | DATE                                   | DWN     | APVD |    |
| DF  | 00   | 0           | CONVERTED RADIALL DWG TO TYCO ACAD DWG | 11/03   | —    | —  |
|     |      | 1           | REVISED                                | 22APR10 | RF   | JM |

1 FRONT & REAR INSULATORS: THERMOSET PER ASTM D5948  
 CONTACT RETENTION CLIPS: COPPER ALLOY PER ASTM B 194  
 REAR GROMMET: FLUORSILICONE ELASTOMER PER MIL-R-25988B, EXCEPT 4.6.6.1

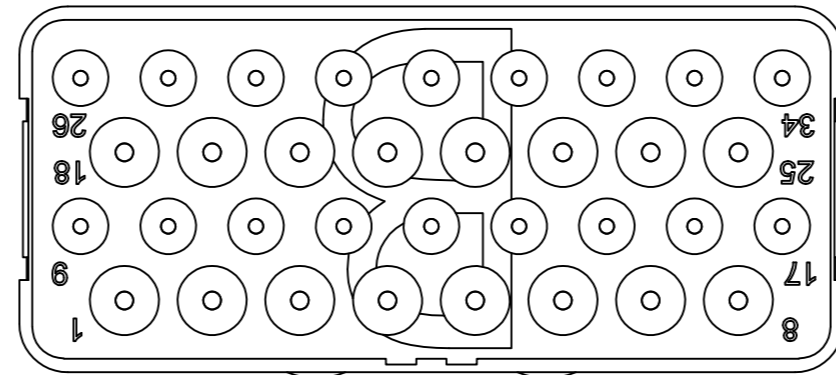
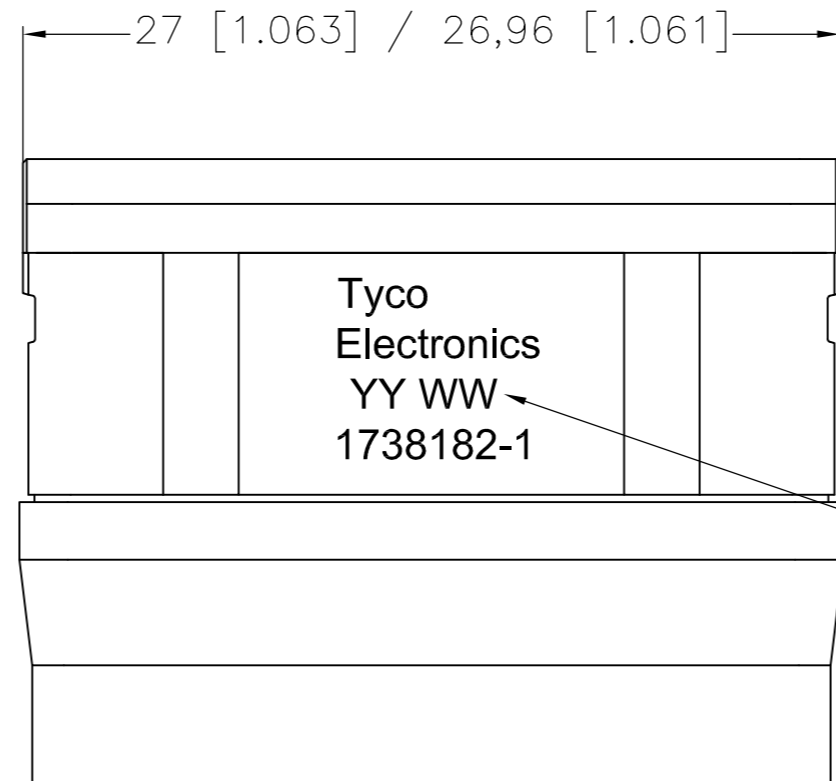
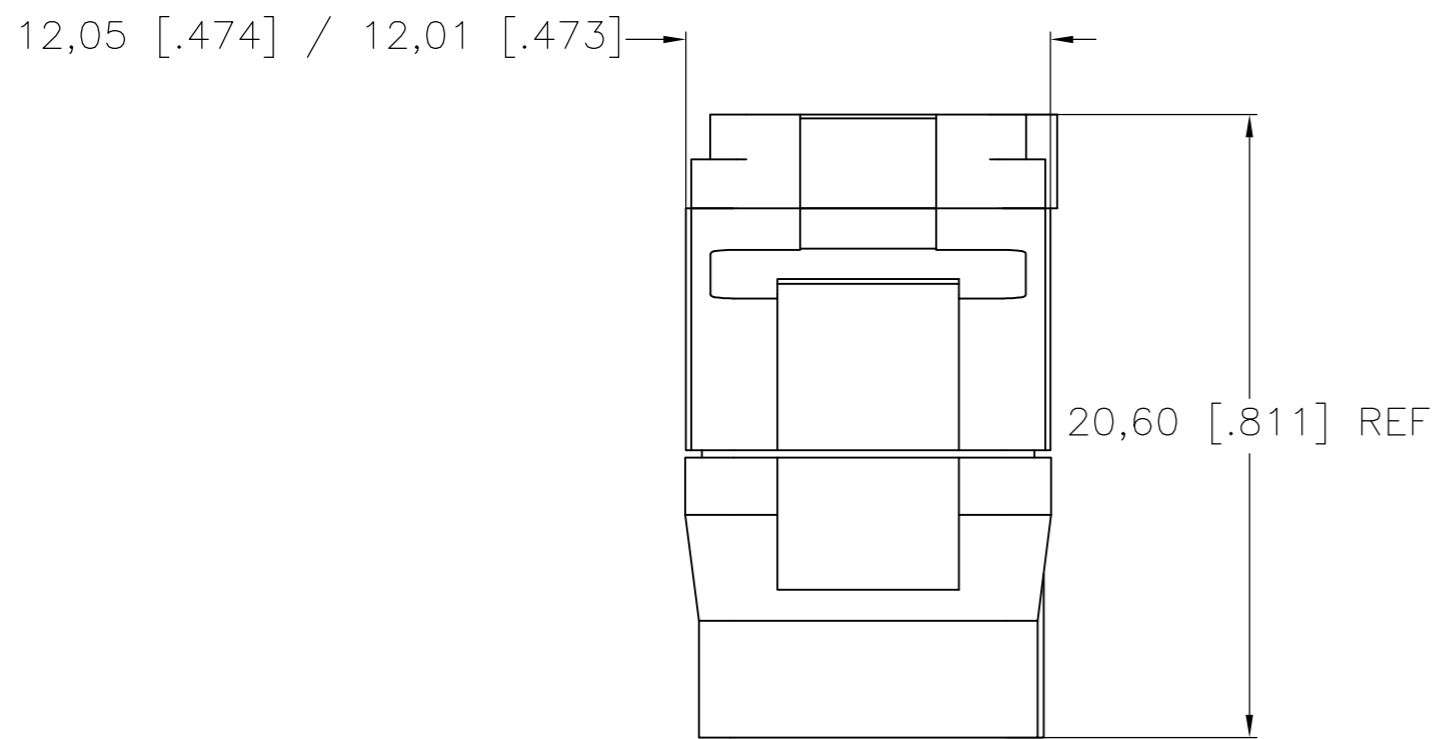
2 DATE CODE: YEAR & WEEK (YY WW)

3. DESCRIPTIVE PART NUMBER: GPRBH34PB  
 THIS INSERT CONTAINS:  
 16 CAVITIES FOR SIZE 20 PIN CONTACTS  
 18 CAVITIES FOR SIZE 22 PIN CONTACTS

4. THIS PRODUCT IS SOLD BY TYCO ELECTRONICS  
 UNDER A LICENSE FROM RADIALL SA.



MATING FACE



THIS PRINT IS  
**PRELIMINARY**  
 UNQUALIFIED PRODUCT  
 CONTACT PRODUCT ENGINEERING  
 BEFORE USING THIS PRINT

1738182-1  
 PART NUMBER

|   |  |                  |       |   |
|---|--|------------------|-------|---|
| THIS DRAWING IS A CONTROLLED DOCUMENT.  |  | DWN              | NOV03 | Tyco Electronics Corporation<br>Harrisburg, PA 17105-3608 |
| DIMENSIONS:<br>mm [INCHES]  |  | CHK              | NOV03 |   |
| TOLERANCES UNLESS OTHERWISE SPECIFIED:  |  | APVD             | NOV03 |   |
| 0 PLC ± -<br>1 PLC ± -<br>2 PLC ± 0.05 [.002]<br>3 PLC ± -<br>4 PLC ± -<br>ANGLES ± - |  | PRODUCT SPEC     | NAME  |   |
| MATERIAL  |  | APPLICATION SPEC |       | SIZE  |
| FINISH  |  | WEIGHT           |       | CAGE CODE   |
| -   |  | -                |       | DRAWING NO  |
| -   |  | -                |       | RESTRICTED TO   |
| -   |  | -                |       | A2 00779 C=1738182  |
| -   |  | -                |       | SCALE 1:1 SHEET 1 OF 1 REV 1                              |
| -   |  | -                |       | CUSTOMER DRAWING  |