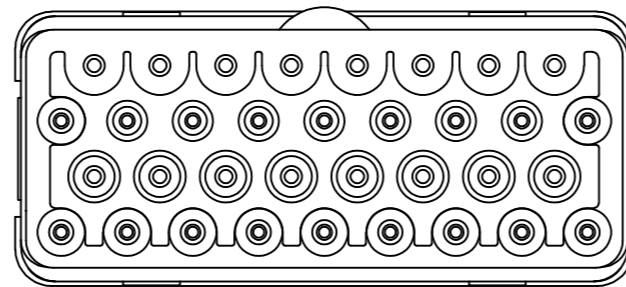


THIS DRAWING IS UNPUBLISHED. RELEASED FOR PUBLICATION
 © COPYRIGHT BY TYCO ELECTRONICS CORPORATION. ALL INTERNATIONAL RIGHTS RESERVED.

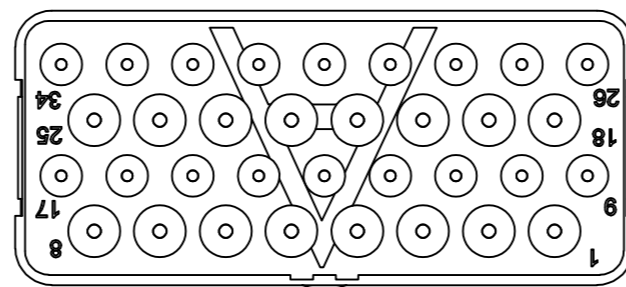
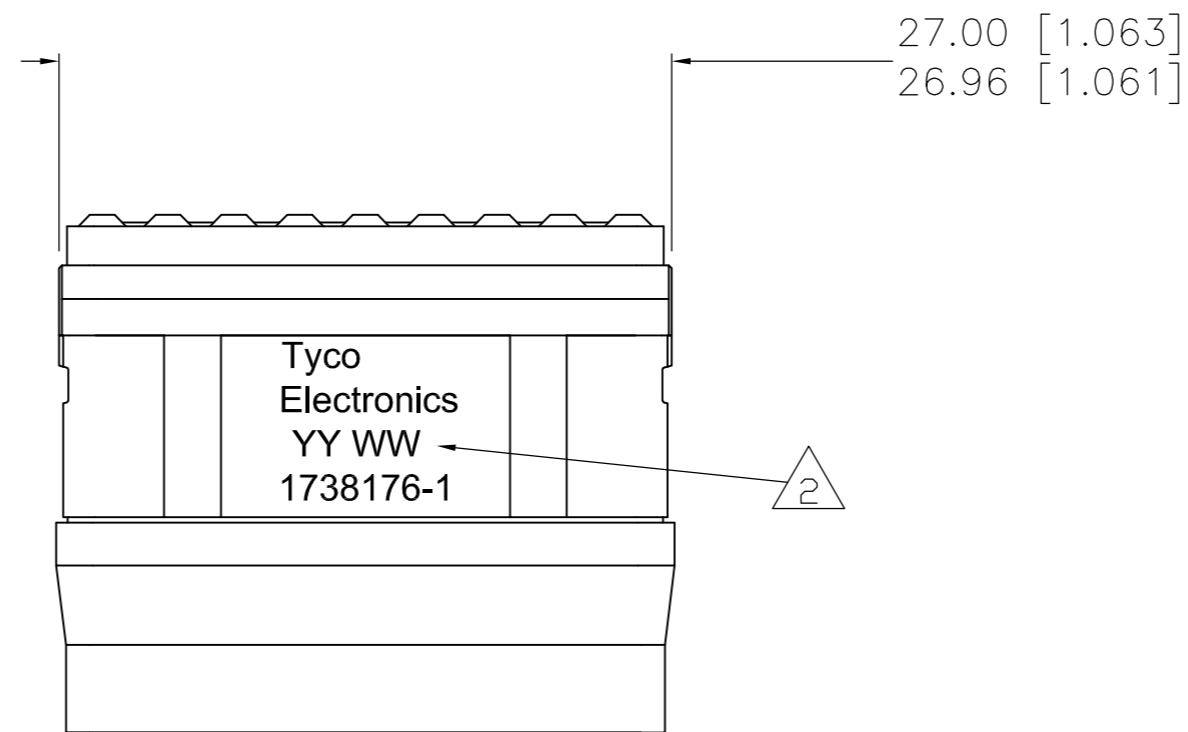
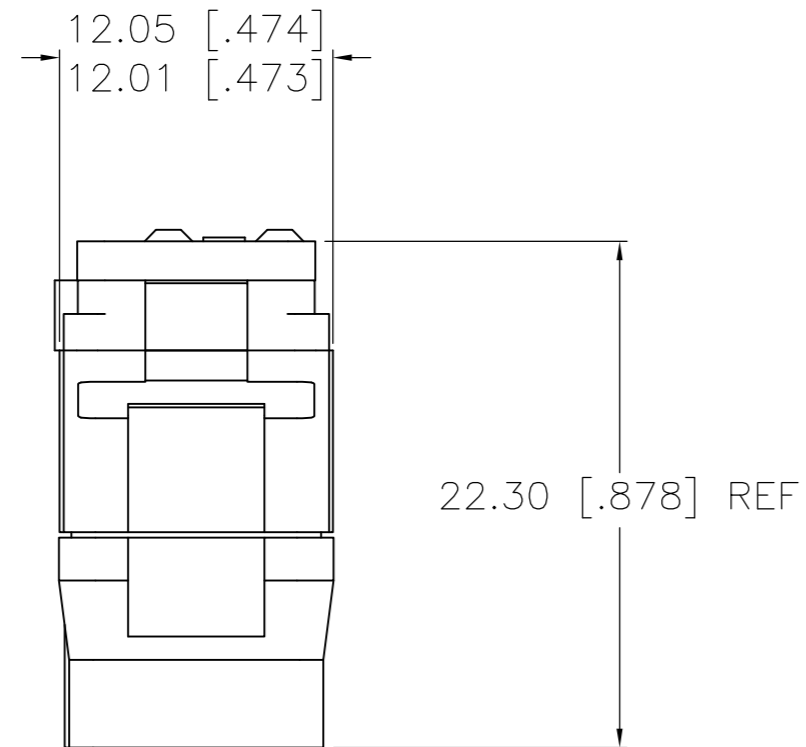
LOC	DIST	REVISIONS				
P	LTR	DESCRIPTION	DATE	DWN	APVD	
DF	00	0	CONVERTED RADIALL DWG TO TYCO ACAD DWG	11/03	—	—
		1	REVISED	22APR10	RF	JM

- 1 FRONT & REAR INSULATORS: THERMOSET EPOXY PER ASTM D5948
 CONTACT RETENTION CLIPS: COPPER ALLOY PER ASTM B194
 REAR GROMMET & INTERFACIAL SEAL: FLUOROSILICONE ELASTOMER PER MIL-R-25988 B, EXCEPT 4.6.6.1

- 2 DATE CODE: YEAR & WEEK (YY WW)
- 3. DESCRIPTIVE PART NUMBER: GPRBE34PA
 THIS INSERT CONTAINS:
 16 CAVITIES FOR SIZE 20 PIN CONTACTS
 18 CAVITIES FOR SIZE 22 PIN CONTACTS
- 4. THIS PRODUCT IS SOLD BY TYCO ELECTRONICS
 UNDER A LICENSE FROM RADIALL SA.



MATING FACE



THIS PRINT IS
PRELIMINARY
 UNQUALIFIED PRODUCT
 CONTACT PRODUCT ENGINEERING
 BEFORE USING THIS PRINT

1738176-1
 PART NUMBER

THIS DRAWING IS A CONTROLLED DOCUMENT.		DWN R FLAIG NOV03	Tyco Electronics Corporation Harrisburg, PA 17105-3608	
DIMENSIONS: mm [INCHES]		CHK J MOSIER NOV03	NAME GPR-B PIN INSERT CLASS E, CONTACT ARRANGEMENT 34 KEY A	
TOLERANCES UNLESS OTHERWISE SPECIFIED: 0 PLC ± - 1 PLC ± - 2 PLC ± 0.05 [.002] 3 PLC ± - 4 PLC ± - ANGLES ± -		APVD J MOSIER NOV03	PRODUCT SPEC	RESTRICTED TO
MATERIAL		FINISH	WEIGHT	SCALE
1		-	-	1:1
CUSTOMER DRAWING		SIZE A2	CAGE CODE 00779	DRAWING NO 1738176
		SCALE	SHEET	REV
		1:1	1 of 1	1