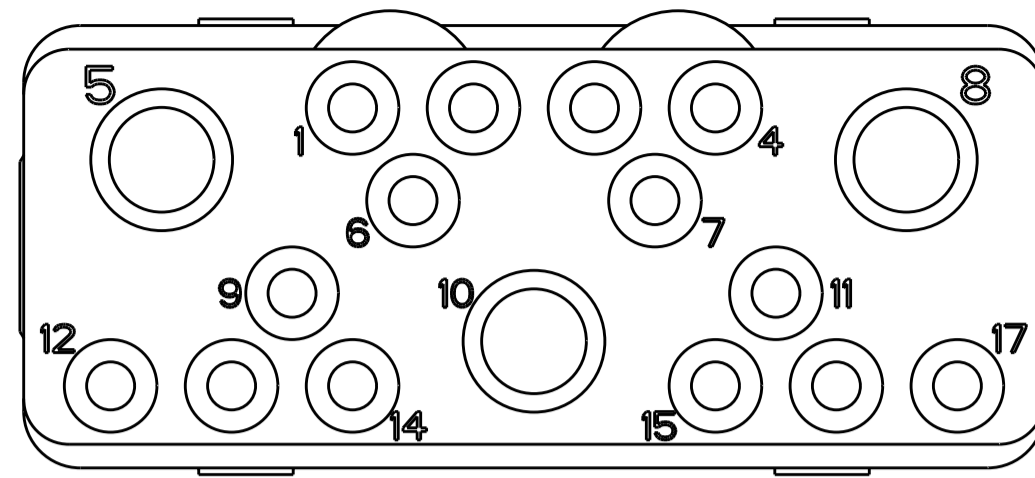
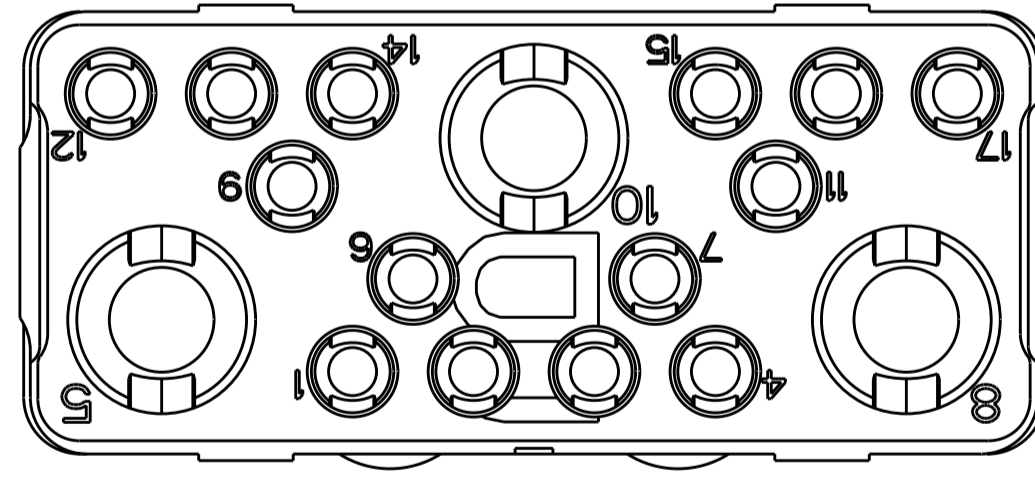
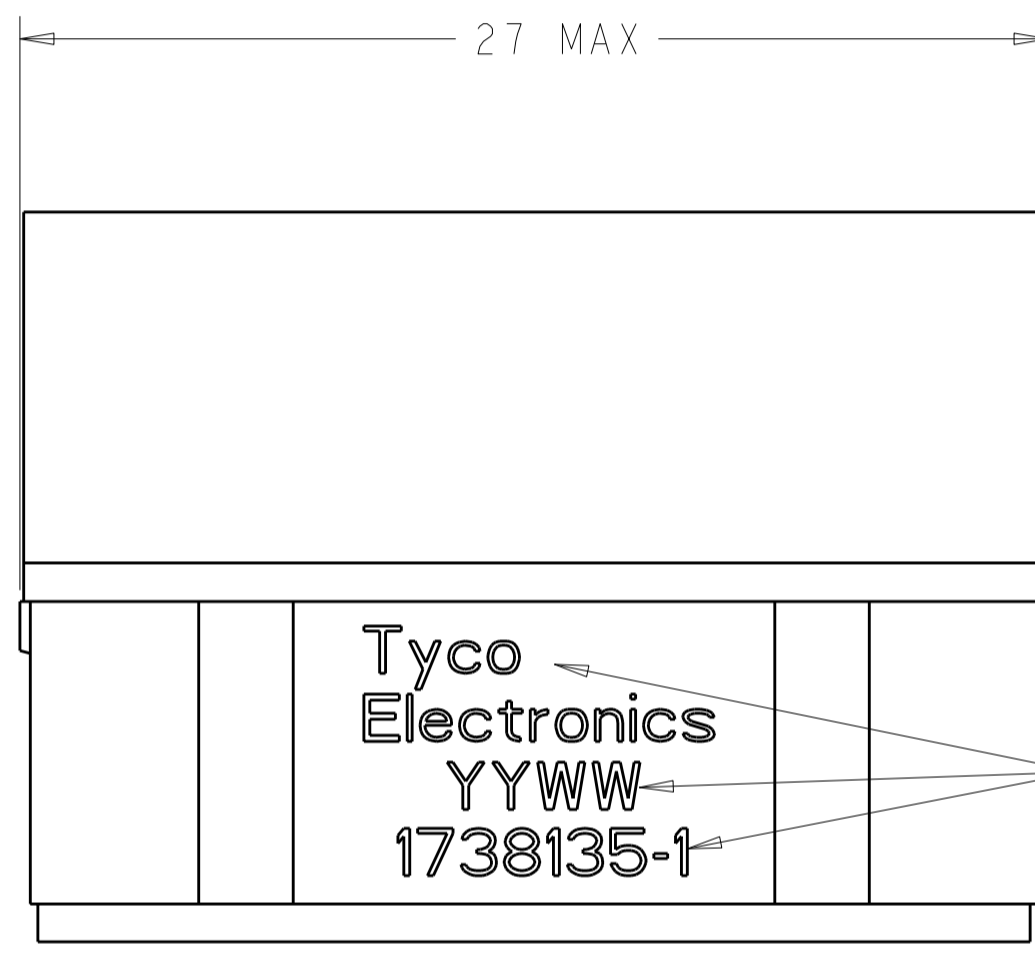
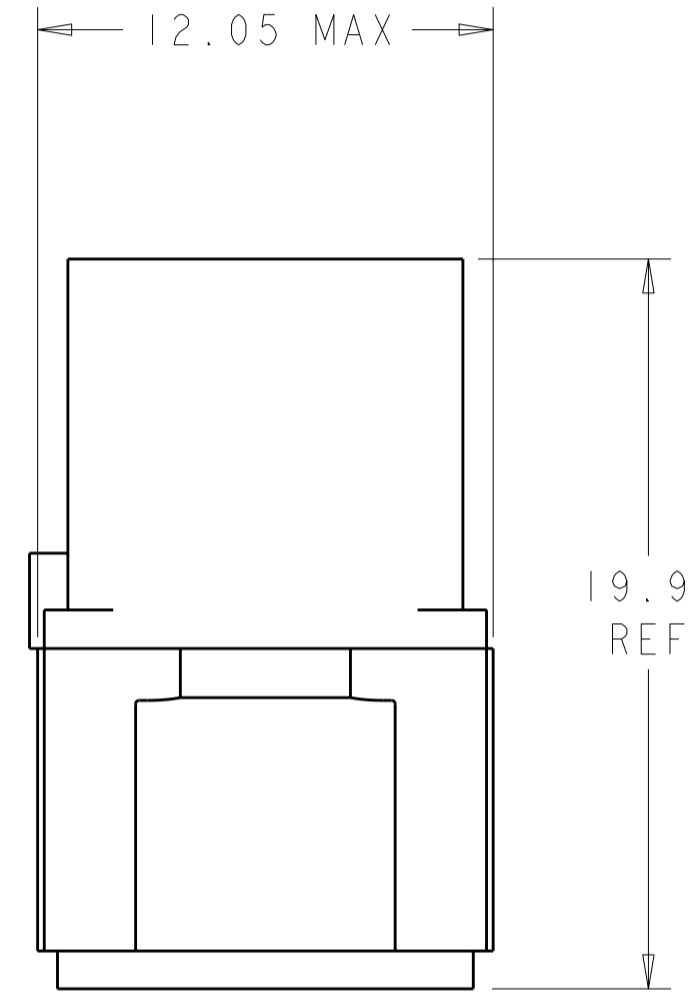


THIS DRAWING IS UNPUBLISHED. RELEASED FOR PUBLICATION 20  
 © COPYRIGHT 20 BY TYCO ELECTRONICS CORPORATION. ALL RIGHTS RESERVED.

LOC	DIST	REVISIONS			
P	LTR	DESCRIPTION	DATE	DWN	APVD
	1	DRAWN IN PRO-E	26FEB09	DCB	JM
	2	REVISED	27APR2010	RF	JM



MATING FACE



THIS PRINT IS  
**PRELIMINARY**  
 UNQUALIFIED PRODUCT  
 CONTACT PRODUCT ENGINEERING  
 BEFORE USING THIS PRINT

1738135-1  
 PART  
 NUMBER

① FRONT & REAR INSULATORS: HIGH-TEMP THERMOPLASTIC OR THERMOSET EPOXY PER ASTM D5948.  
 CONTACT RETENTION CLIPS: STAINLESS STEEL PER AISI 302 OR COPPER ALLOY PER ASTM B194.

② PRODUCT IDENTIFICATION MARKINGS: TYCO ELECTRONICS LOGO  
 PART NUMBER  
 DATE CODE - YEAR & WEEK (YY WW)

3. DESCRIPTIVE PART NUMBER: GPRBN17SB  
 THIS INSERT CONTAINS: 14 CAVITIES FOR SIZE 20 SOCKET CONTACTS  
 3 CAVITIES FOR SIZE 12 SOCKET CONTACTS

4. THIS PRODUCT IS SOLD BY TYCO ELECTRONICS UNDER A LICENSE FROM RADIALL SA.

THIS DRAWING IS A CONTROLLED DOCUMENT FOR TYCO ELECTRONICS CORPORATION IT IS SUBJECT TO CHANGE AND THE CONTROLLING ENGINEERING ORGANIZATION SHOULD BE CONTACTED FOR THE LATEST REVISION.		DWN DCB	26FEB09	Tyco Electronics Harrisburg, PA 17105-3608	
DIMENSIONS: mm		CHK JM	APVD JM	NAME INSERT ASSEMBLY, SOCKET, ARRANGEMENT 17, NON-ENVIRONMENTAL, KEY B, GPRB	
TOLERANCES UNLESS OTHERWISE SPECIFIED: 0 PLC ±- 1 PLC ±0.5 2 PLC ±0.13 3 PLC ±0.013 4 PLC ±0.0001 ANGLES ±- FINISH		PRODUCT SPEC -	APPLICATION SPEC -	SIZE A200779	DRAWING NO C-1738135
MATERIAL ① -		WEIGHT -	CUSTOMER DRAWING	RESTRICTED TO -	SCALE 5:1 SHEET 1 OF 1 REV 2