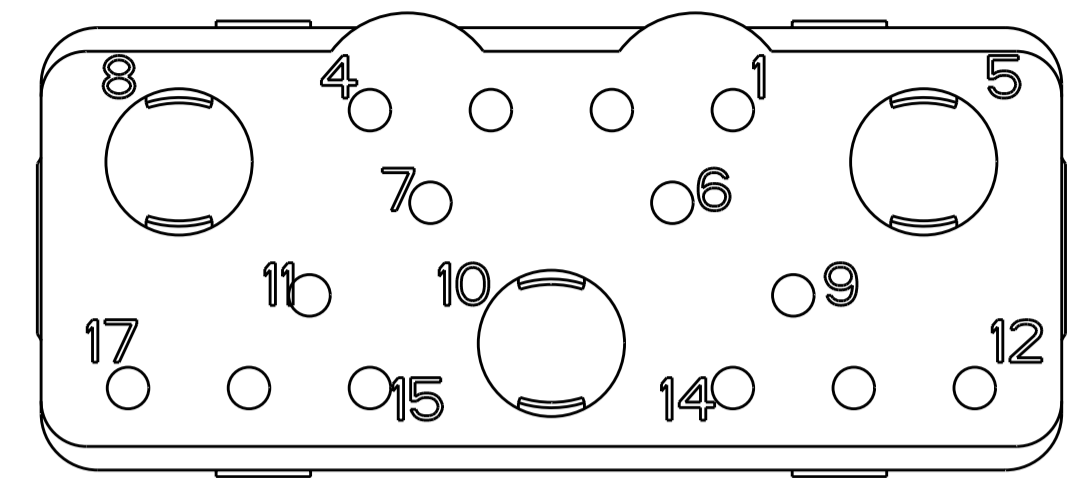
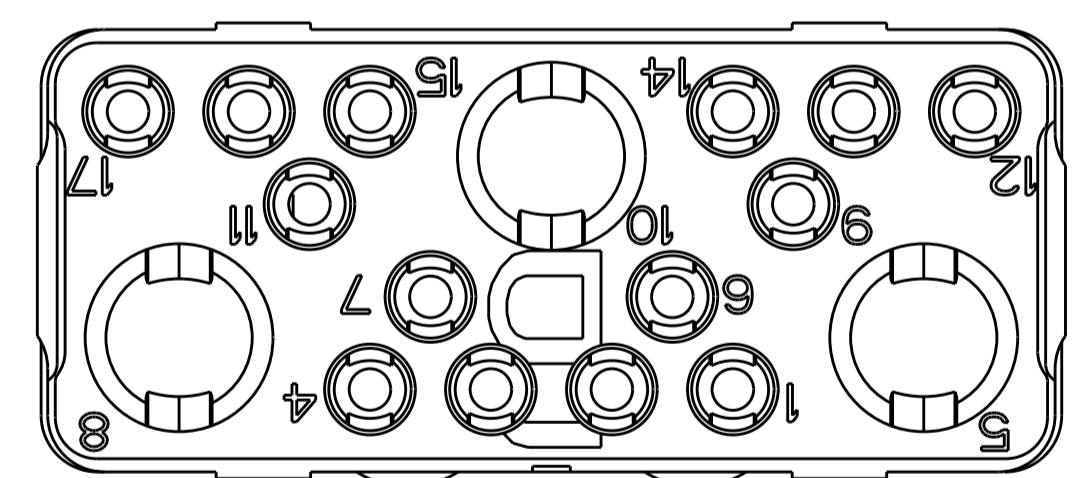
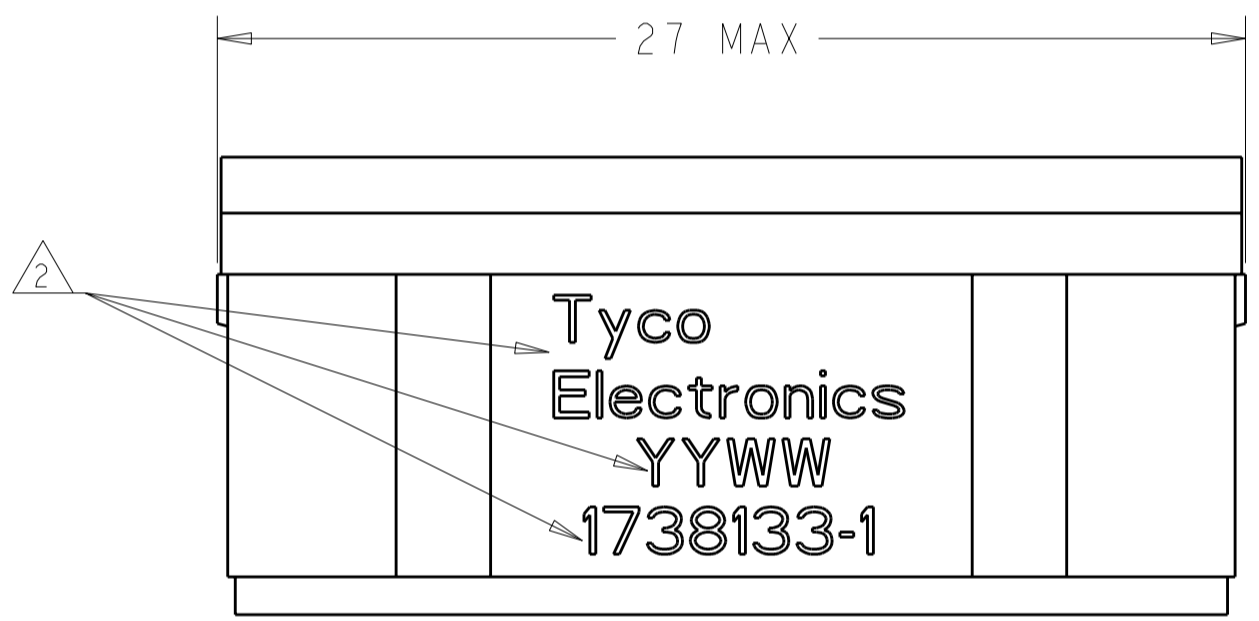
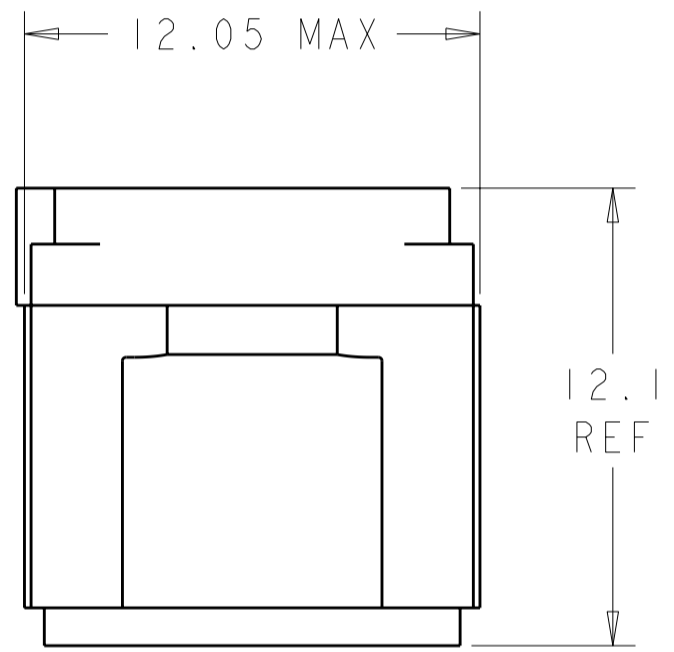


THIS DRAWING IS UNPUBLISHED. RELEASED FOR PUBLICATION 20
 © COPYRIGHT 20 BY TYCO ELECTRONICS CORPORATION. ALL RIGHTS RESERVED.

LOC	DIST	REVISIONS			
P	LTR	DESCRIPTION	DATE	DWN	APVD
	1	DRAWN IN PRO-E	25FEB09	DCB	JM
	2	REVISED	27APR2010	RF	JM



MATING FACE



- ① FRONT & REAR INSULATOR: HIGH-TEMP THERMOPLASTIC OR THERMOSET EPOXY PER ASTM D5948.
CONTACT RETENTION CLIPS: STAINLESS STEEL PER AISI 302 OR COPPER ALLOY PER ASTM B194
- ② PRODUCT IDENTIFICATION MARKINGS: TYCO ELECTRONICS LOGO
PART NUMBER
DATE CODE YEAR & WEEK (YY WW)

- 3. DESCRIPTIVE PART NUMBER GPRBN17PB
THIS INSERT CONTAINS: 14 CAVATIES FOR SIZE 20 PIN CONTACTS
3 CAVATIES FOR SIZE 12 PIN CONTACTS
- 4. THIS PRODUCT IS SOLD BY TYCO ELECTRONICS UNDER A LICENSE FROM RADIALL SA.

1738133-1
PART NUMBER

THIS DRAWING IS A CONTROLLED DOCUMENT FOR TYCO ELECTRONICS CORPORATION IT IS SUBJECT TO CHANGE AND THE CONTROLLING ENGINEERING ORGANIZATION SHOULD BE CONTACTED FOR THE LATEST REVISION.		DWN DCB	25FRB09	Tyco Electronics Harrisburg, PA 17105-3608	
DIMENSIONS: mm		CHK JM	APVD JM	NAME INSERT ASSEMBLY, PIN, ARRANGEMENT 17, NON-ENVIRONMENTAL, KEY B, GPRB	
TOLERANCES UNLESS OTHERWISE SPECIFIED: 0 PLC ±- 1 PLC ±0.1 2 PLC ±0.01 3 PLC ±0.001 4 PLC ±0.0001 ANGLES ±		PRODUCT SPEC -		SIZE A200779	
MATERIAL -		FINISH -		DRAWING NO C-1738133	
-		WEIGHT -		RESTRICTED TO -	
CUSTOMER DRAWING				SCALE 5:1	SHEET 1 OF 1
				REV 2	