

THIS DRAWING IS UNPUBLISHED. RELEASED FOR PUBLICATION  
 © COPYRIGHT BY TYCO ELECTRONICS CORPORATION. ALL INTERNATIONAL RIGHTS RESERVED.

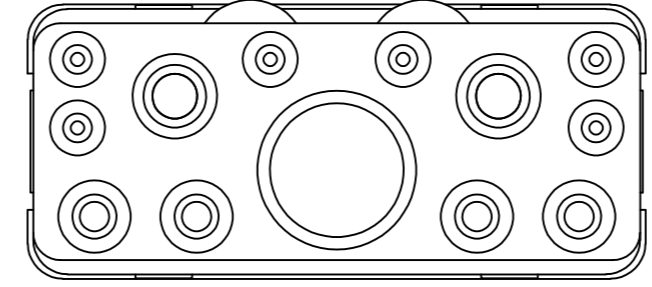
LOC		DIST		REVISIONS			
P	LTR	DESCRIPTION		DATE	DWN	APVD	
	0	CONVERTED RADIALL DWG TO TYCO ACAD DWG		11/03	—	—	
	1	REVISED		22APR10	RF	JM	

1 FRONT & REAR INSULATORS: THERMOSET PER ASTM D5948  
 CONTACT RETENTION CLIPS: COPPER ALLOY PER ASTM B194  
 REAR GROMMET: FLUOROSILICONE ELASTOMER PER MIL-R-25988B, EXCEPT 4.6.6.1

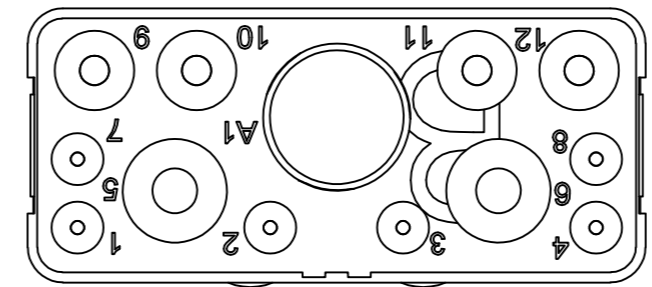
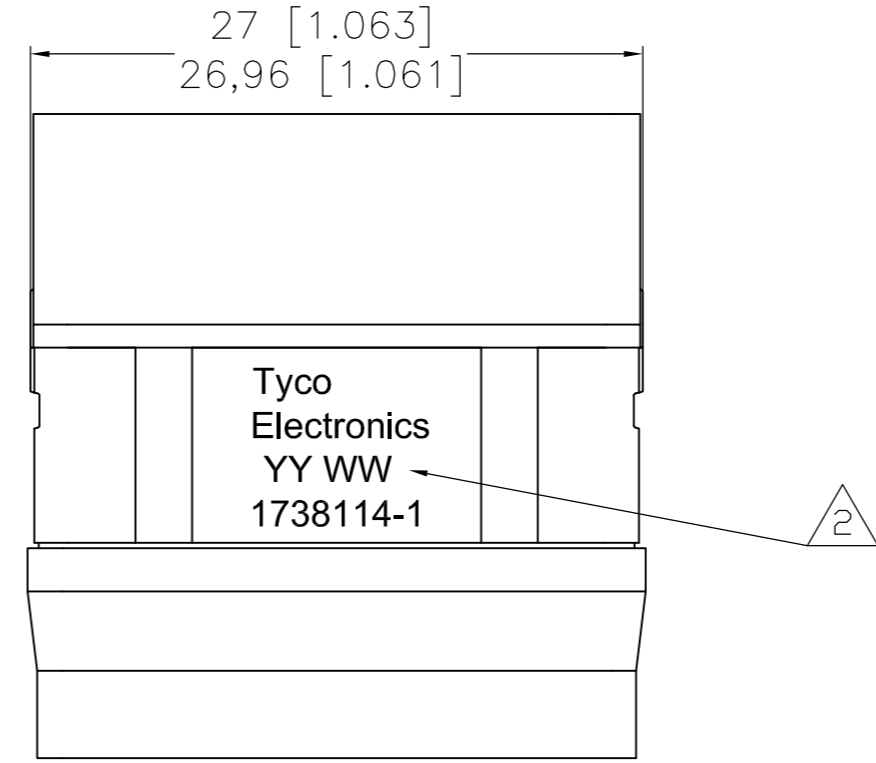
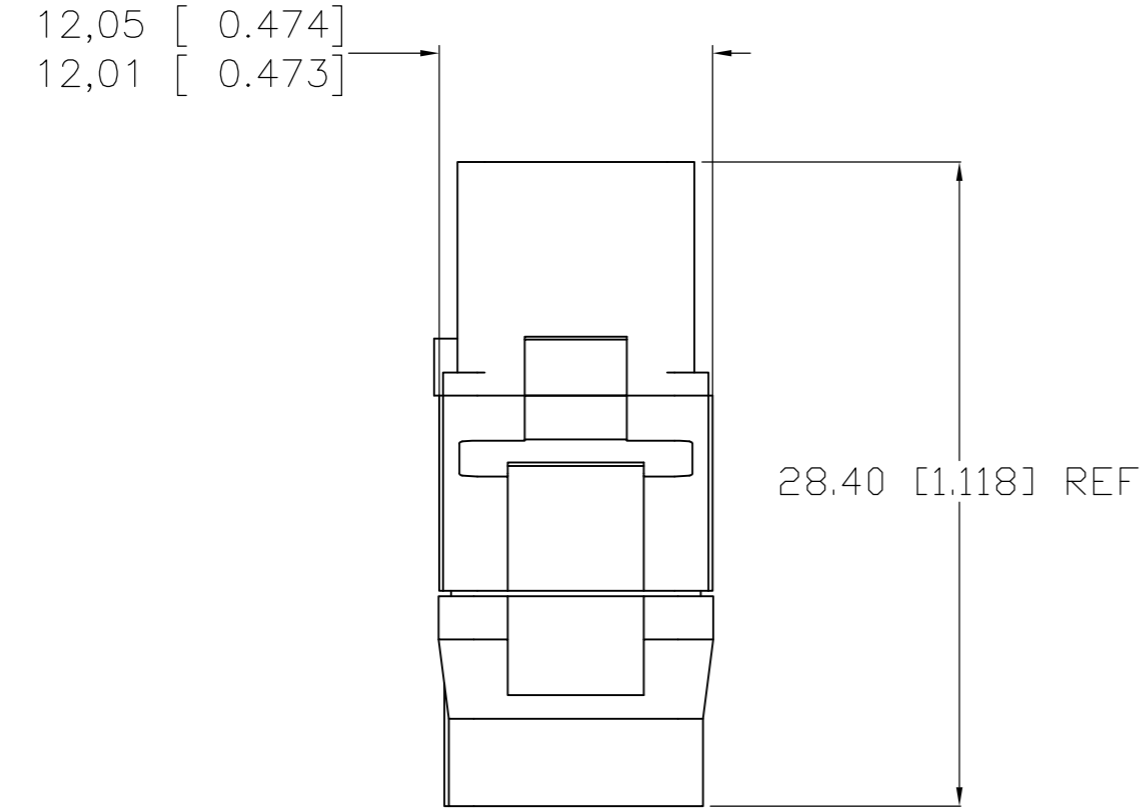
2 DATE CODE: YEAR & WEEK (YY WW)

3. DESCRIPTIVE PART NUMBER: GPRBE13C1SB  
 THIS INSERT CONTAINS:  
 2 CAVITIES FOR SIZE 12 SOCKET CONTACTS  
 4 CAVITIES FOR SIZE 16 SOCKET CONTACTS  
 6 CAVITIES FOR SIZE 20 SOCKET CONTACTS  
 1 CAVITY FOR SIZE 5 SOCKET CONTACT

4. THIS PRODUCT IS SOLD BY TYCO ELECTRONICS  
 UNDER A LICENSE FROM RADIALL SA.



MATING FACE



THIS PRINT IS  
**PRELIMINARY**  
 UNQUALIFIED PRODUCT  
 CONTACT PRODUCT ENGINEERING  
 BEFORE USING THIS PRINT

1738114-1  
 PART NUMBER

THIS DRAWING IS A CONTROLLED DOCUMENT.		DWN	NOV03	Tyco Electronics Corporation Harrisburg, PA 17105-3608	
DIMENSIONS:		CHK	NOV03		
mm [INCHES]		APVD	NOV03		
TOLERANCES UNLESS OTHERWISE SPECIFIED:		PRODUCT SPEC			
0 PLC ± - 1 PLC ± - 2 PLC ± 0.05 [.002] 3 PLC ± - 4 PLC ± - ANGLES ± -		APPLICATION SPEC		NAME	GPR-B SOCKET INSERT CLASS E CONTACT ARRANGEMENT 13C1 KEY B
MATERIAL	FINISH	WEIGHT		SIZE	A2
				CAGE CODE	00779
				DRAWING NO	1738114
				RESTRICTED TO	
				SCALE	1:1
				SHEET	1 of 1
				REV	1