

LOC		DIST		REVISIONS			
DF	00	REV	DATE	BY	CHK	APPV	
0		CONVERTED RADIALL DWG TO TYCO ACAD DWG	11/03				
1		REVISED	22APR10	RF	JM		

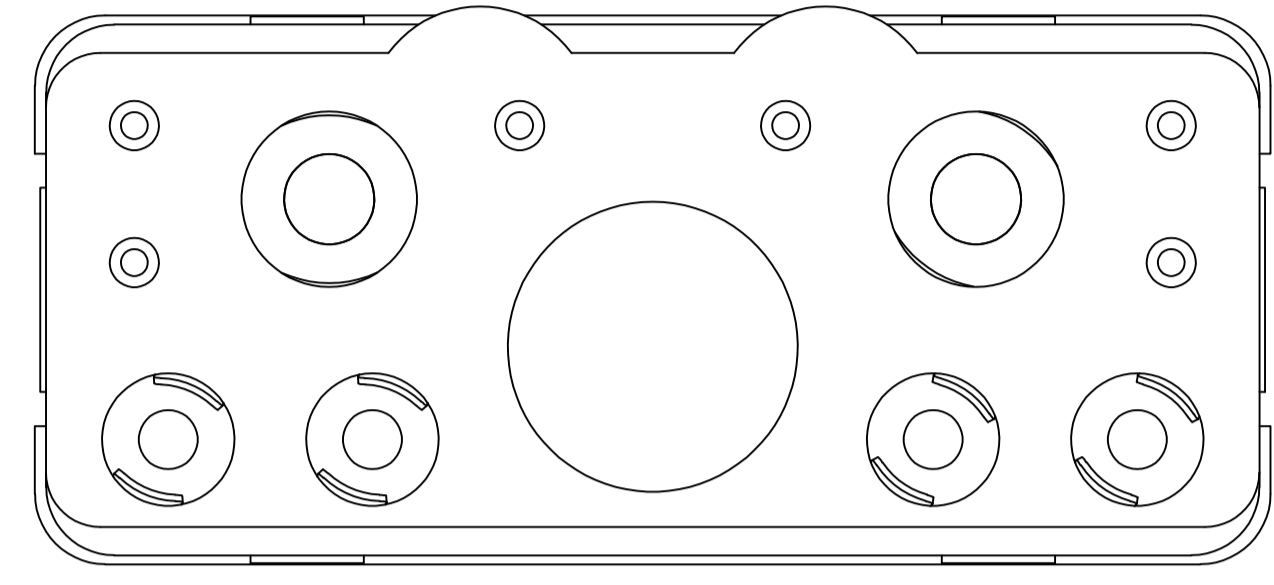
- 1 FRONT & REAR INSULATORS: THERMOSET PER ASTM D5948
 CONTACT RETENTION CLIPS: COPPER ALLOY PER ASTM B 194
 REAR GROMMET: FLUOROSILICONE ELASTOMER PER MIL-R-25988B, EXCEPT 4.6.6.1

2 DATE CODE: YEAR & WEEK (YY WW)

3. DESCRIPTIVE PART NUMBER GPRBH13C1PB
 THIS INSERT CONTAINS:

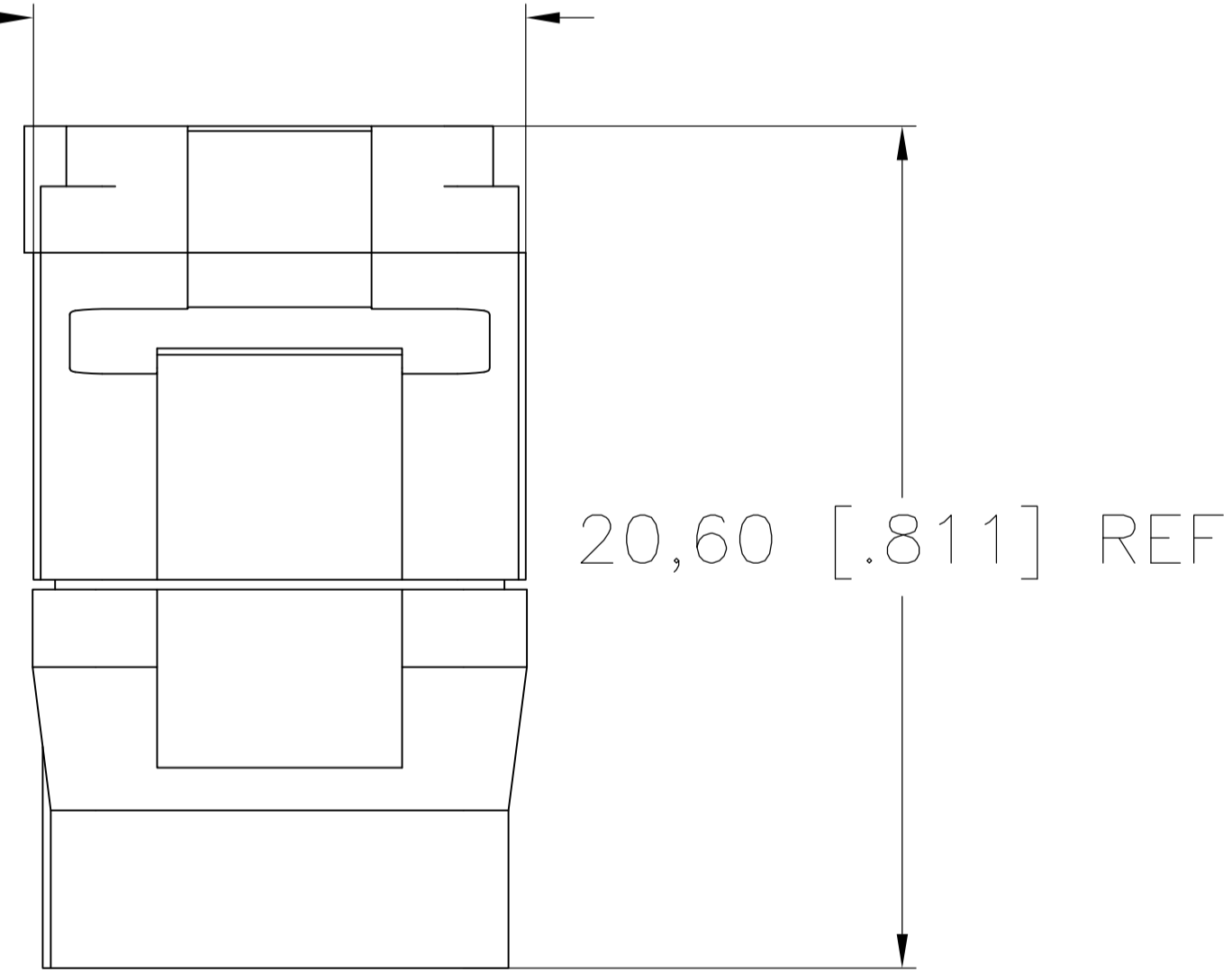
- 6 CAVITIES FOR SIZE 20 PIN CONTACTS
- 4 CAVITIES FOR SIZE 16 PIN CONTACTS
- 2 CAVITIES FOR SIZE 12 PIN CONTACTS
- 1 CAVITY FOR SIZE 5 PIN CONTACT

4. THIS PRODUCT IS SOLD BY TYCO ELECTRONICS UNDER A LICENSE FROM RADIALL SA.

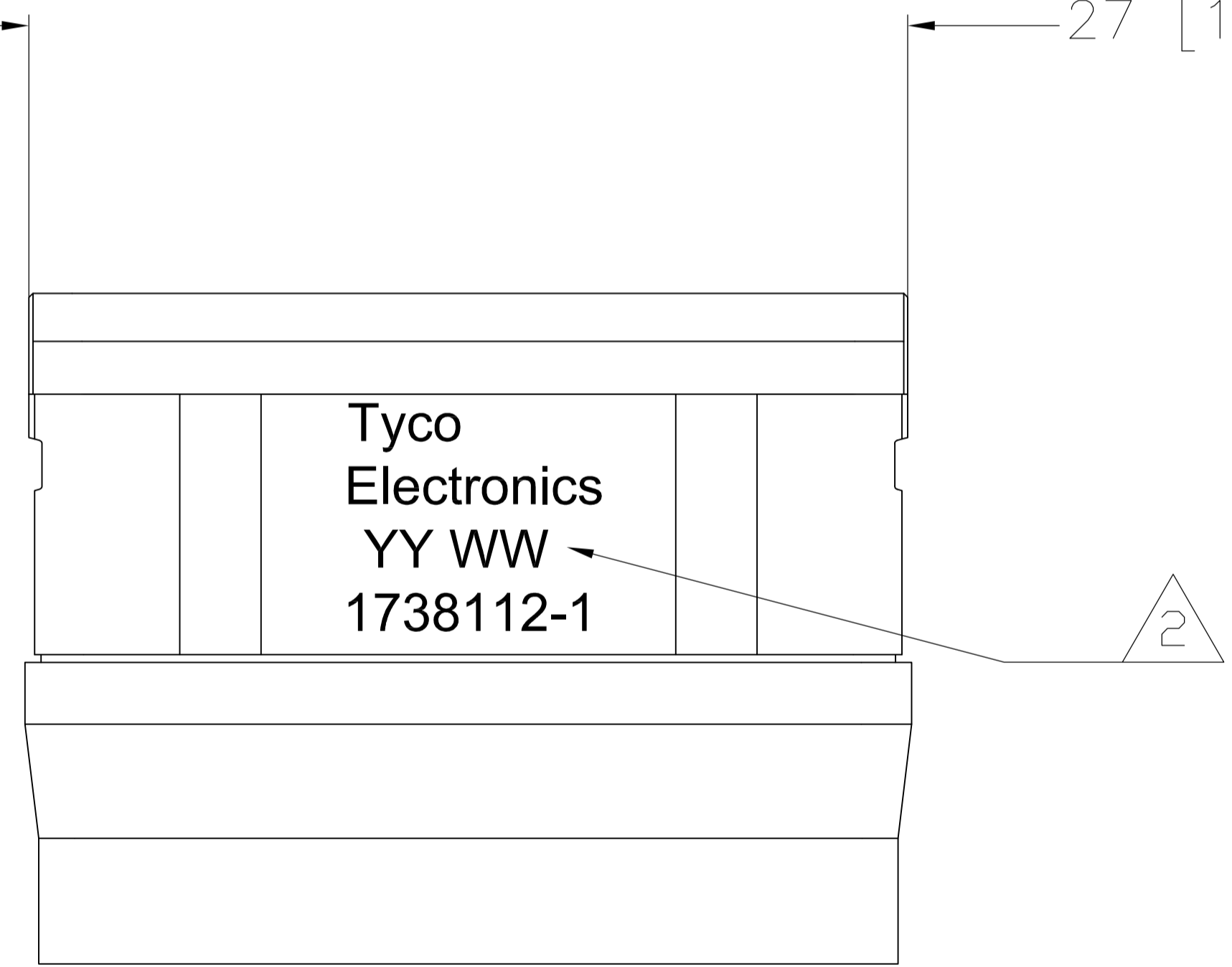


MATING FACE

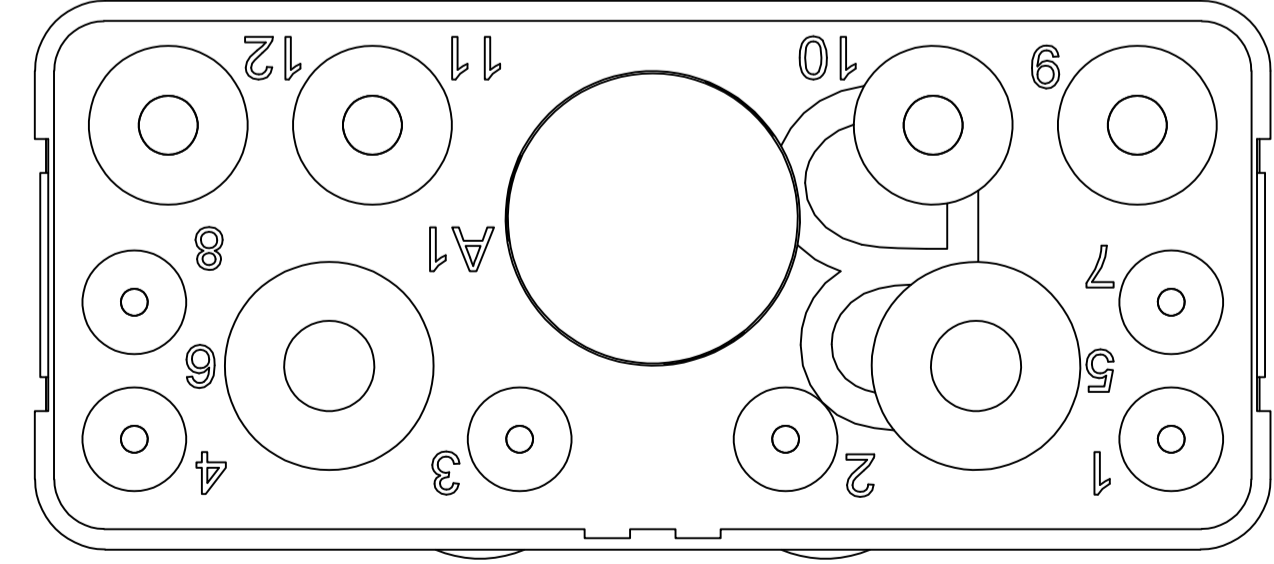
12,05 [.474] / 12,01 [.473]



27 [1.063] / 26,96 [1.061]



THIS PRINT IS
PRELIMINARY
 UNQUALIFIED PRODUCT
 CONTACT PRODUCT ENGINEERING
 BEFORE USING THIS PRINT



1738112-1
 PART NUMBER

THIS DRAWING IS A CONTROLLED DOCUMENT.		DIN R FLAIG NOV03	Tyco Electronics Corporation Harrisburg, PA 17105-3608	
DIMENSIONS: mm [INCHES]		CHK J MOSIER NOV03	Tyco Electronics	
TOLERANCES UNLESS OTHERWISE SPECIFIED:		APPV J MOSIER NOV03	NAME GPR-B PIN INSERT	
0 PLC ± -	1 PLC ± -	PRODUCT SPEC	CLASS H	
2 PLC ± 0.05 [.002]	3 PLC ± -	APPLICATION SPEC	CONTACT ARRANGEMENT 13C1 KEY B	
4 PLC ± -	ANGLES ± -	SIZE A1	CAGE CODE 00779	DRAWING NO. 1738112
MATERIAL - 1	FINISH -	WEIGHT -	RESTRICTED TO	
CUSTOMER DRAWING		SCALE 2:1	SHEET 1 OF 1	REV 1