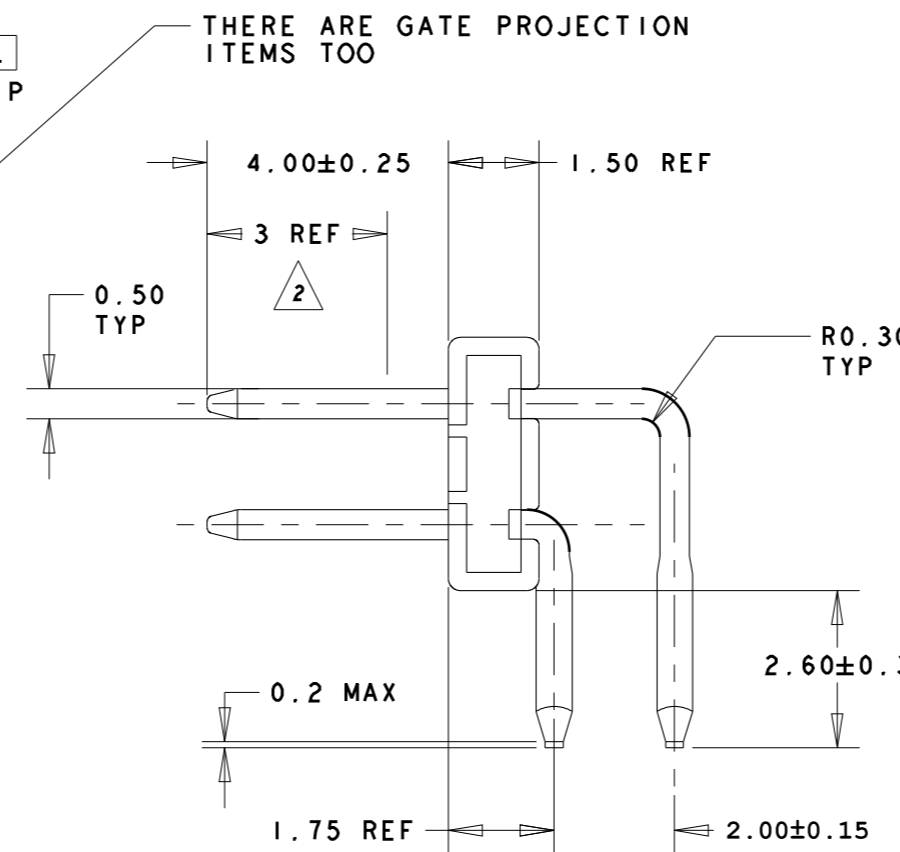
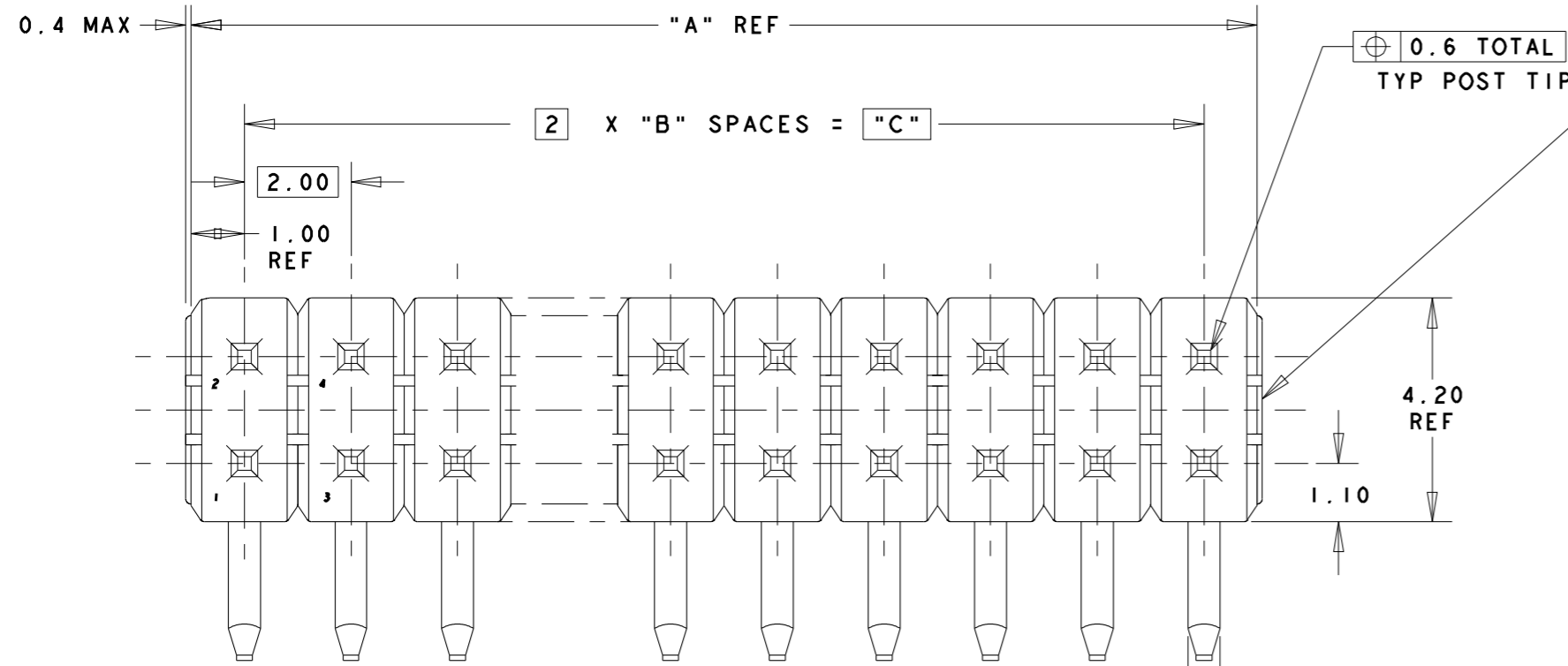


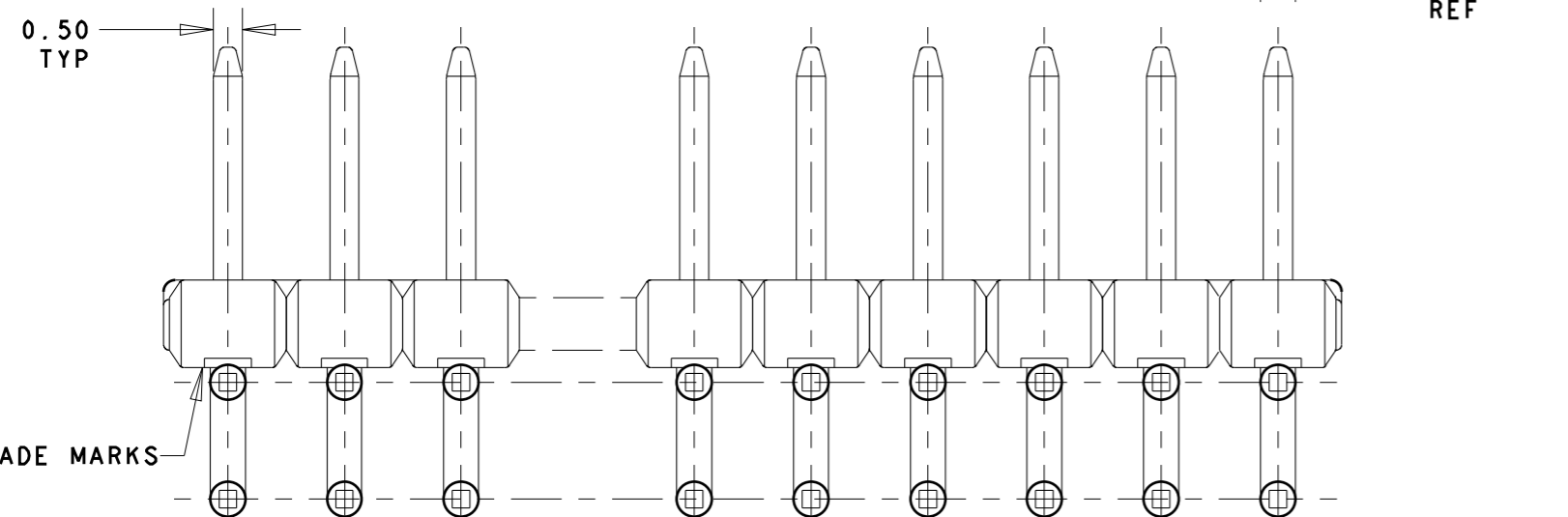
THIS DRAWING IS UNPUBLISHED. RELEASED FOR PUBLICATION .19
 BY AMP INCORPORATED. ALL RIGHTS RESERVED.

LOC	DIST	REVISIONS			
P	LTR	DESCRIPTION	DATE	DWN	APVD
DY	-	A1	REVISED PER ECO-15-001759	16FEB2015	NK JO



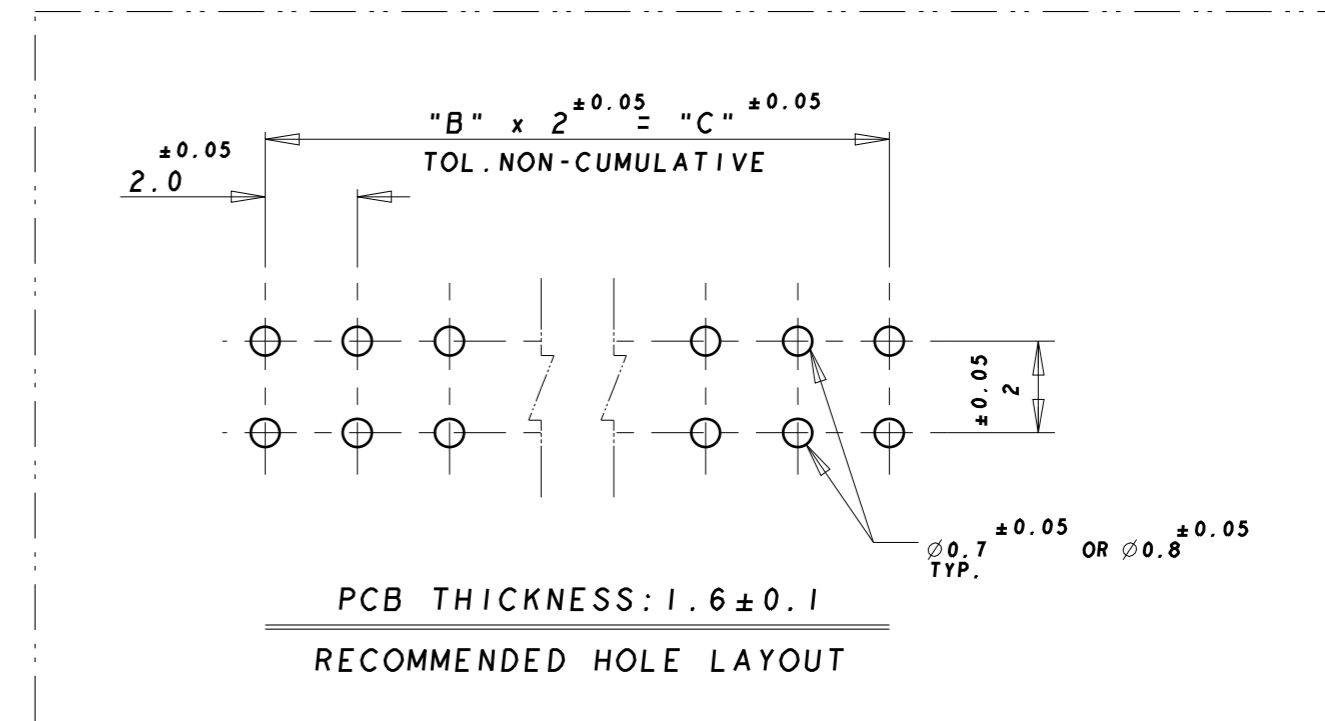
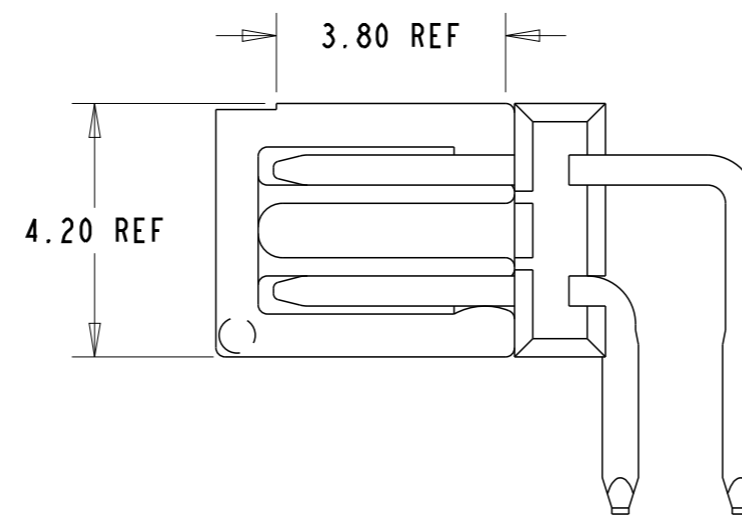
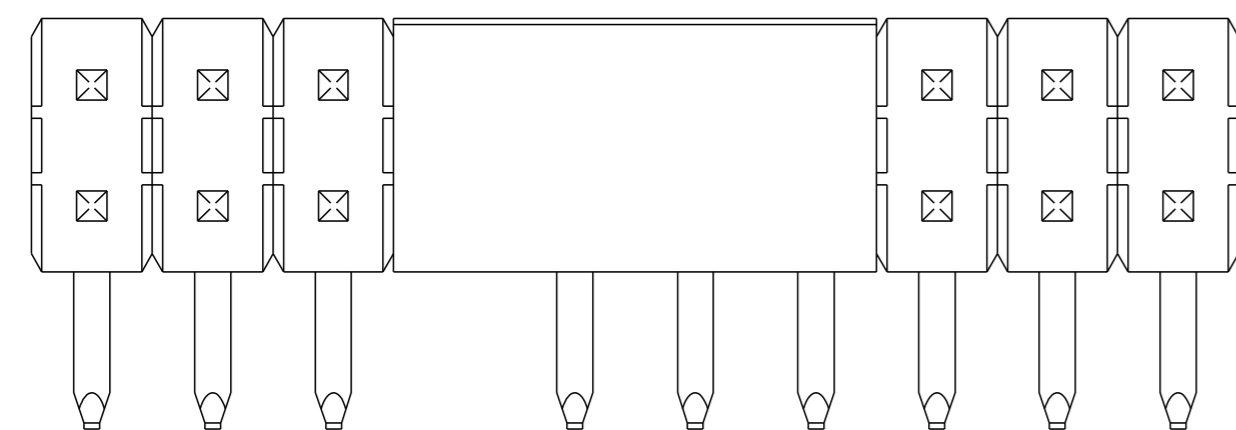
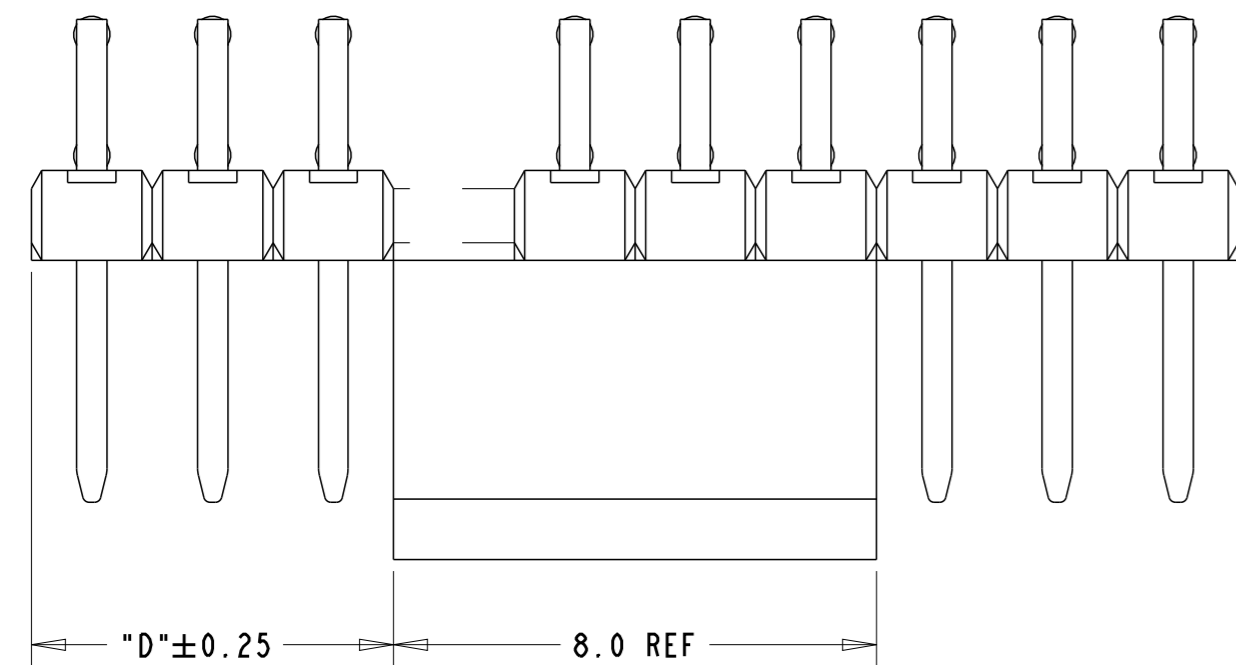
NOTES:

- 1 MATERIALS:
HOUSING : THERMOPLASTIC, HI-TEMP, UL 94V-0, BLACK
PICKUP CAP: THERMOPLASTIC, HI-TEMP, UL 94V-0, BLACK
POST : COPPER ALLOY
- 2 FINISH:
CONTACT AREA: GOLD 0.0002 MIN. ON
NICKEL 0.0013 MIN. ALL OVER
POST TINE : MATTE TIN 0.001 MIN.
- 3 PICKUP CAP IS AT MID-LENGTH OF CONNECTOR.
- 4 PICKUP CAP IS OFF MID-LENGTH OF CONNECTOR.



AS SHOWN WITHOUT PICKUP CAP FOR CLARITY.

AS SHOWN WITH PICKUP CAP.



4	2	12	6	14	14	1-1735919-4
3	2	10	5	12	12	1-1735919-2
REMARKS	"D"	"C"	"B"	"A"	NO OF POS	ASSY PN

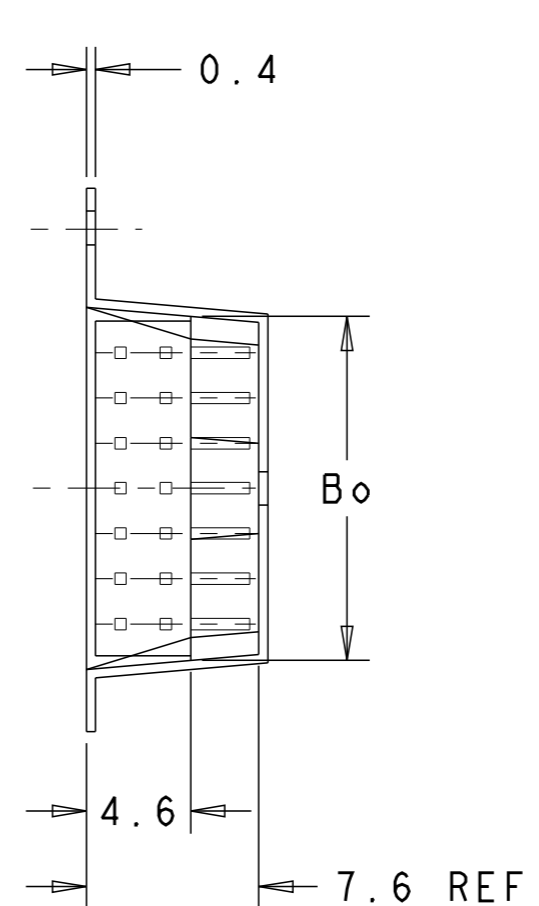
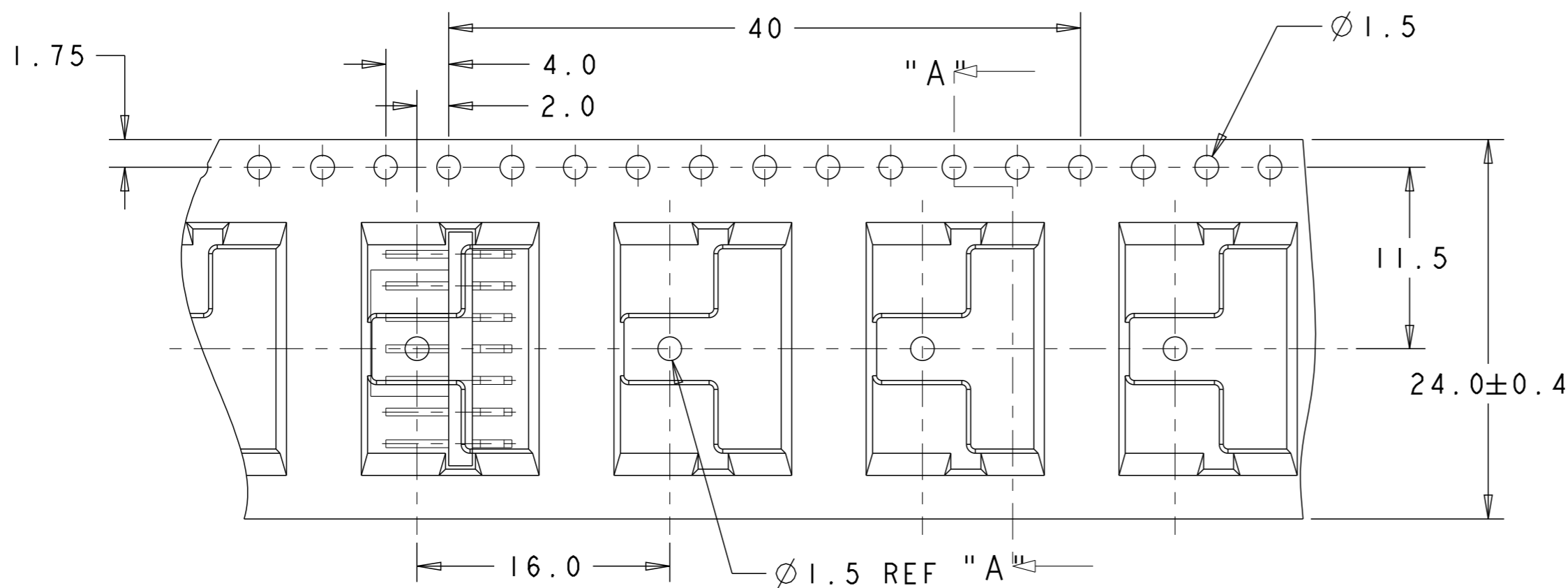
DIMENSIONS:		TOLERANCES UNLESS OTHERWISE SPECIFIED:		MATERIAL	
mm		0 PLC ±0.25	1 PLC ±0.2	1	2
		2 PLC ±0.2	3 PLC ±		
		4 PLC ±	ANGLES ±3°		
		FINISH			

DW	WYLEE	07MAR2005
CHK	VINCENT TAN	
APVD	SF LEONG	
PRODUCT SPEC		
APPLICATION SPEC		
WEIGHT		
CUSTOMER DRAWING		

TE Connectivity Singapore		
NAME	AMPMODU 2mm PITCH POST HEADER, DOUBLE ROW, HORI. TYPE, L=2.6, HI-TEMP, WITH PICKUP CAP IN TAPE n REEL	
SIZE	CAGE CODE	DRAWING NO
A2	00779	C-1735919
SCALE	SHEET	REV
-	1 of 2	A1

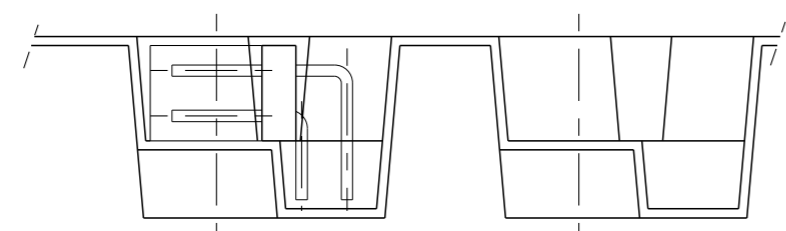
THIS DRAWING IS UNPUBLISHED. RELEASED FOR PUBLICATION .19
 BY AMP INCORPORATED. ALL RIGHTS RESERVED.

LOC	DIST	REVISIONS			
P	LTR	DESCRIPTION	DATE	DWN	APVD
DY	-	SEE SHEET 1	-	-	-



NOTES

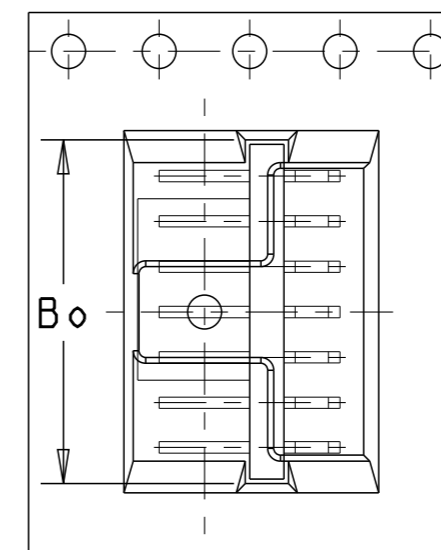
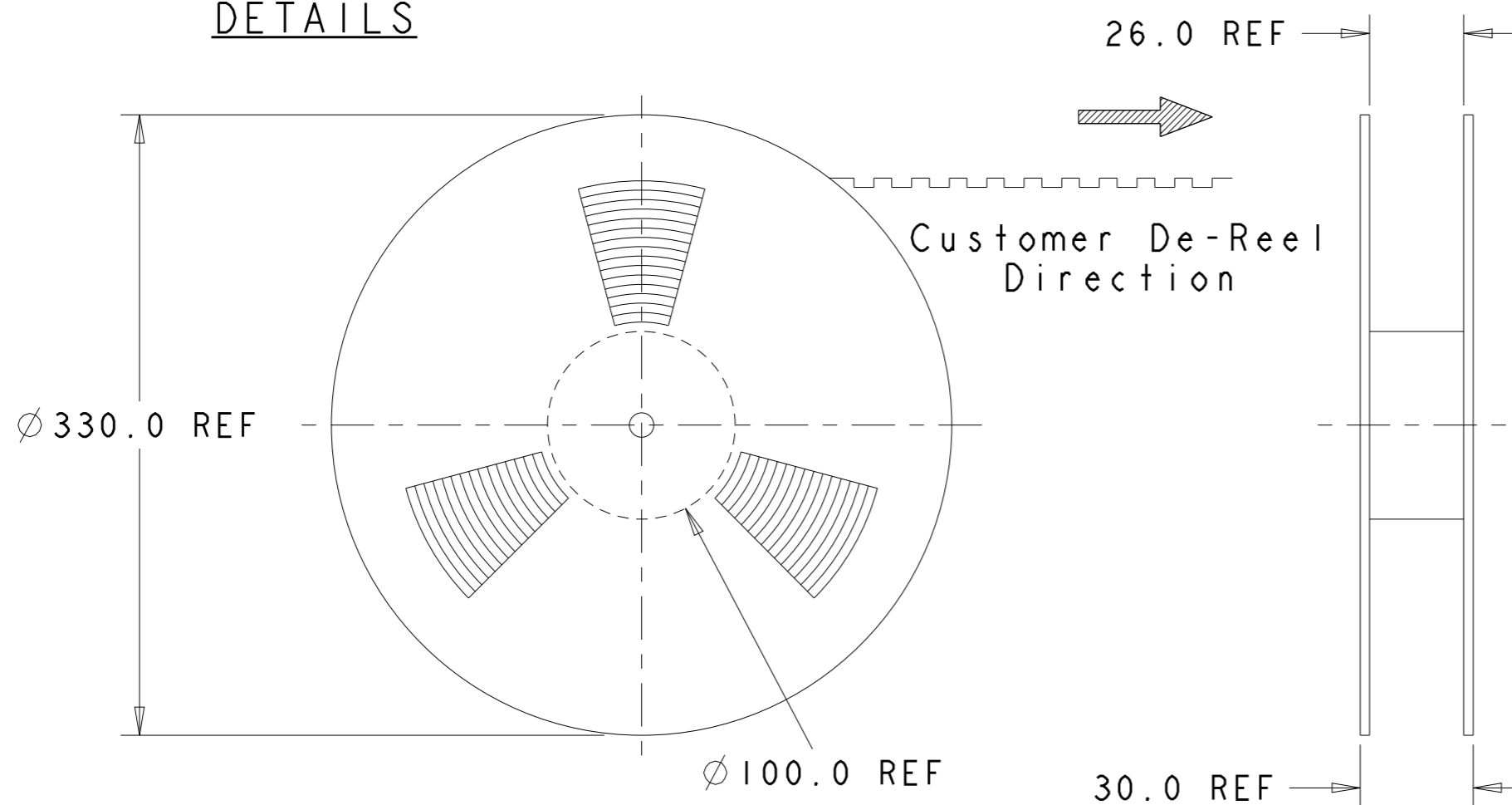
- 11. MATERIALS:
 CARRIER TAPE : PS, BLACK, STATIC DISSIPATIVE
 COVER TAPE : PET, CLEAR
 REEL : PS, WHITE/BLACK, ANTI-STATIC
- 12. 475 POCKETS/REEL; 400 COMPONENTS/REEL



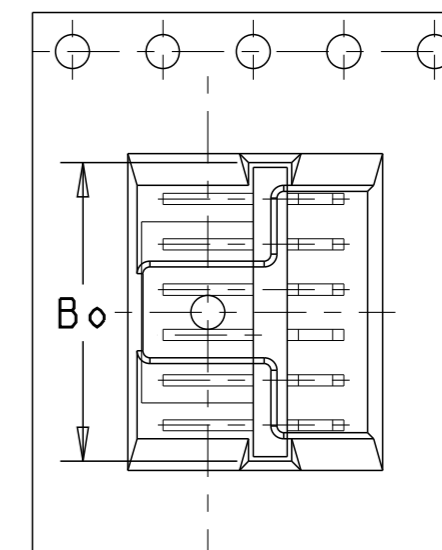
Customer De-reel Direction

SECTION A-A

PLASTIC REEL DETAILS



AS SHOWN FOR PN 1--4



AS SHOWN FOR PN 1--2.

PN 1-1735919-4 AS SHOWN FOR EXAMPLE.

4	15.2	14	1-1735919-4
3	13.2	12	1-1735919-2
REMARKS	"Bo"	NO OF POS	ASSY PN

<small>THIS DRAWING IS A CONTROLLED DOCUMENT FOR AMP INCORPORATED. IT IS SUBJECT TO CHANGE AND THE CONTROLLING ENGINEERING ORGANIZATION SHOULD BE CONTACTED FOR THE LATEST REVISION.</small>		DWY WYLEE 07MAR2005 CHK VINCENT TAN APVD SF LEONG	STE TE Connectivity Singapore	
DIMENSIONS: mm	TOLERANCES UNLESS OTHERWISE SPECIFIED: 0 PLC ±0.25 1 PLC ±0.2 2 PLC ±0.2 3 PLC ± 4 PLC ± ANGLES ±3° FINISH	NAME AMPMODU 2mm PITCH POST HEADER, DOUBLE ROW, HORI. TYPE, L=2.6, HI-TEMP, WITH PICKUP CAP IN TAPE n REEL	SIZE A2	CAGE CODE 00779
MATERIAL		DRAWING NO C-1735919	SCALE -	SHEET 2 OF 2
CUSTOMER DRAWING			REV A1	