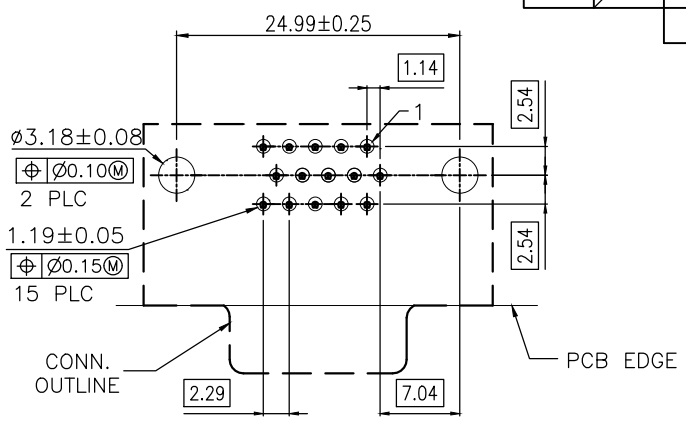
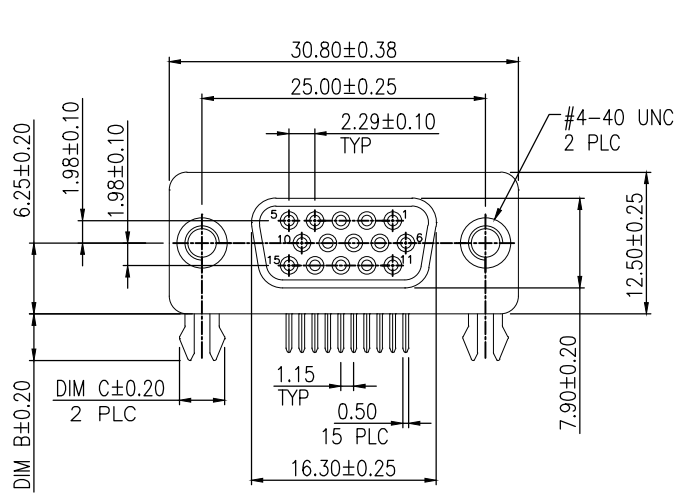


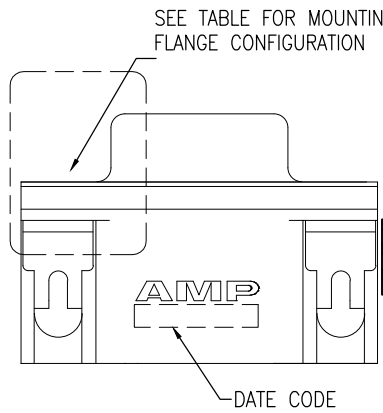
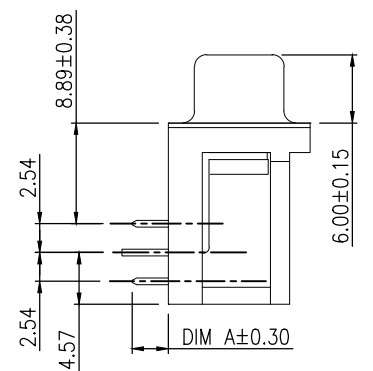
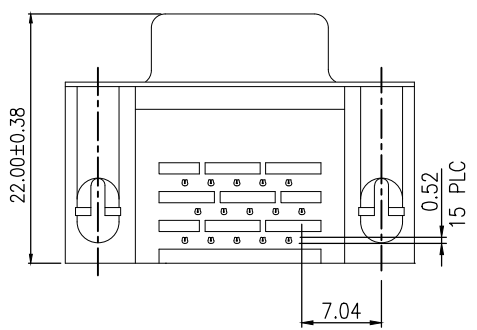
THIS DRAWING IS UNPUBLISHED. RELEASED FOR PUBLICATION
 © COPYRIGHT BY ALL RIGHTS RESERVED.

LOC	DIST	REVISIONS					
DW		P	LTR	DESCRIPTION	DATE	DWN	APVD
		C		REVISED PER ECO-17-013750	16FEB18	AP	DG

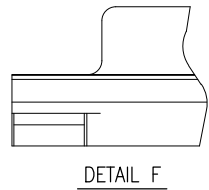
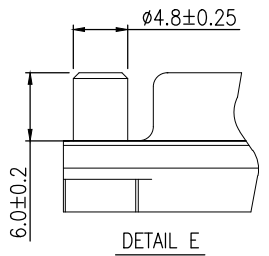
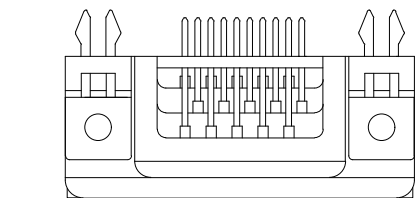


RECOMMENDED P.C. BOARD LAYOUT
 <TOP VIEW>

- NOTES:
- MATERIAL:
 - HOUSING: THERMOPLASTIC(NY9T), UL 94V-0 RATED,BLACK
 - CONTACTS: PHOPHOR BRONZE
 - SHELL: SPCC
 - BOARDLOCKS: BRASS
 - RIVET: BRASS
 - SCREWLOCK: BRASS
 - FINISH:
 - CONTACT:
 - GOLD PLATING ON CONTACT AREA. (SEE TABLE)
 - 2.54µm[100µ"] MIN. MATTE TIN PLATING ON SOLDER TAIL AREA,
 - 1.27µm[50µ"] MIN. NICKEL UNDERPLATING OVERALL,
 - BOARDLOCK:
 - 2.54µm[100µ"] MIN MATTE TIN PLATING
 - 1.27µm[50µ"] MIN NICKEL UNDERPLATING OVERALL,
 - SHELL: NICKEL PLATED
 - RIVET: NICKEL PLATING 0.76µm[30µ"] OVERALL.
 - FIXED SCREWLOCK: NICKEL PLATING 0.76µm[30µ"] MEETS 6 IN-LB TORQUE.
 - RECOMMENDED PCB THICKNESS: 1.6 mm
 - REFLOW SOLDER CAPABLE TO 260°C PER TE CONNECTIVITY SPEC. 109-201, CONDITION B.
 - NET WEIGHT: 10.24 g/pcs. (WITH SCREWLOCK) 8.24 g/pcs. (W/O SCREWLOCK)
 - BOARDLOCK INSERTION FORCE: 1.5±0.5 Kgf [15±5 N]. FOR 5-1734530-3 & 6-1734530-3 ONLY.



SEE TABLE FOR MOUNTING FLANGE CONFIGURATION



OBSOLETE	TAPE&REEL	DETAIL E	W/	3.78	3.20	3.18	30 µ"	5-1734530-3	
	TUBE	DETAIL F	W/	4.00	4.10	3.18	30 µ"	2-1734530-3	
	SUPERSEDED BY 2311763-3	TRAY	DETAIL F	W/	4.00	4.10	3.18	30 µ"	1-1734530-3
		TRAY	DETAIL F	W/	4.00	4.10	3.18	G/F	1-1734530-1
	SUPERSEDED BY 2311763-2	TRAY	DETAIL E	W/	4.00	4.10	3.18	30 µ"	1734530-3
		TAPE&REEL	DETAIL F	W/	3.78	3.20	3.18	30 µ"	6-1734530-3
	OBSOLETE	TRAY	DETAIL F	W/O	4.00	4.10	3.18	30 µ"	3-1734530-3
		TUBE	DETAIL F	W/	4.00	4.10	3.18	15 µ"	2-1734530-2
		TUBE	DETAIL F	W/	4.00	4.10	3.18	G/F	2-1734530-1
		TRAY	DETAIL F	W/	4.00	4.10	2.16	30 µ"	1-1734530-6
TRAY		DETAIL F	W/	4.00	4.10	2.16	15 µ"	1-1734530-5	
TRAY		DETAIL F	W/	4.00	4.10	2.16	G/F	1-1734530-4	
TRAY		DETAIL F	W/	4.00	4.10	3.18	15 µ"	1-1734530-2	
TRAY		DETAIL E	W/	4.00	4.10	2.16	30 µ"	1734530-6	
TRAY		DETAIL E	W/	4.00	4.10	2.16	15 µ"	1734530-5	
TRAY		DETAIL E	W/	4.00	4.10	2.16	G/F	1734530-4	
TRAY	DETAIL E	W/	4.00	4.10	3.18	15 µ"	1734530-2		
TRAY	DETAIL E	W/	4.00	4.10	3.18	G/F	1734530-1		
PACKAGING	MOUNTING FLANGE CONFIGURATION	BOARDLOCK OPTION	DIM C	DIM B	DIM A	Gold Finish	PART NO.		

THIS DRAWING IS A CONTROLLED DOCUMENT.

DIMENSIONS: MM

TOLERANCES UNLESS OTHERWISE SPECIFIED:

0 PLC	± -
1 PLC	± 0.38
2 PLC	± 0.25
3 PLC	± 0.15
4 PLC	± -
ANGLES	± -

MATERIAL: SEE NOTE

FINISH: SEE NOTE

DWN: J. LEE 22MAR2007

CHK: S. HOU 22MAR2007

APVD: W.J. KE 22MAR2007

PRODUCT SPEC: 108-57541

QUALIFICATION TEST REPORT: 501-57623

WEIGHT: SEE NOTE

CUSTOMER DRAWING

TE Connectivity

RECEPTACLE ASSY, SIZE 1, 15 POSITION, RIGHT ANGLE, THROUGH HOLE

SIZE: A3

CAGE CODE: 00779

DRAWING NO: C=1734530

RESTRICTED TO: -

SCALE: -

SHEET: 1 OF 4

REV: C

4

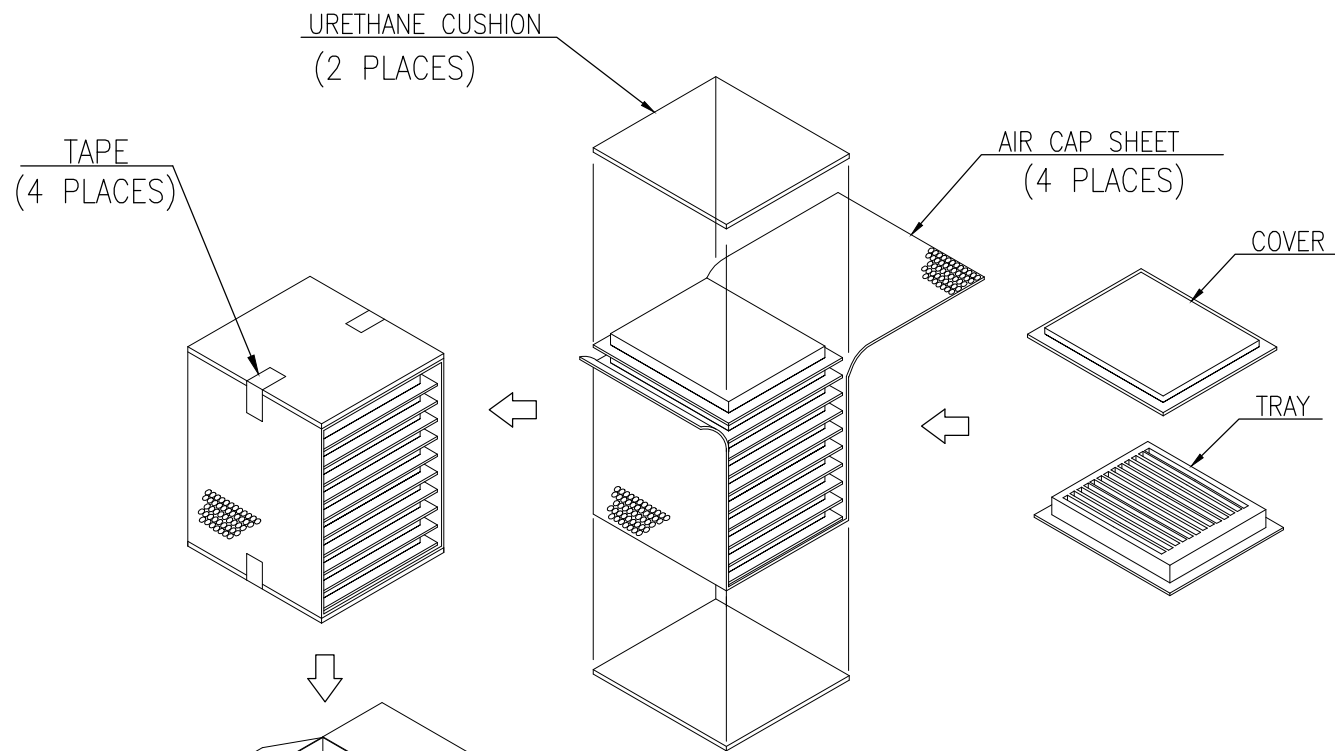
3

2

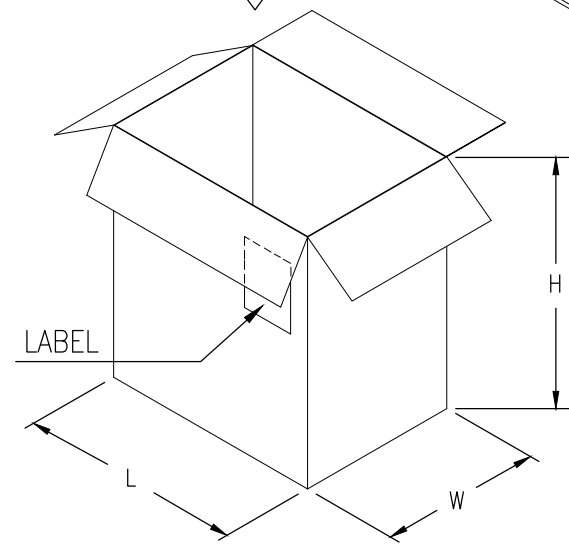
1

THIS DRAWING IS UNPUBLISHED. RELEASED FOR PUBLICATION - . - .
 © COPYRIGHT - BY - ALL RIGHTS RESERVED.

LOC		DIST		REVISIONS				
P	LTR	DESCRIPTION			DATE	DWN	APVD	
		SEE SHEET 1.						



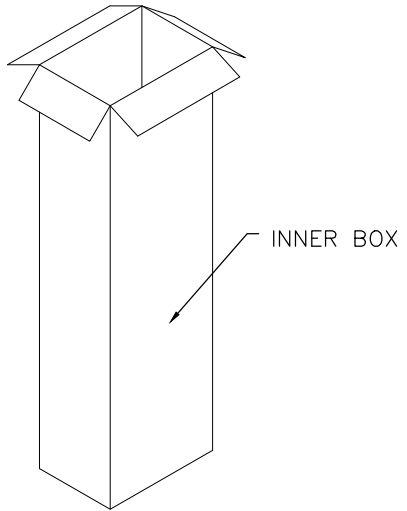
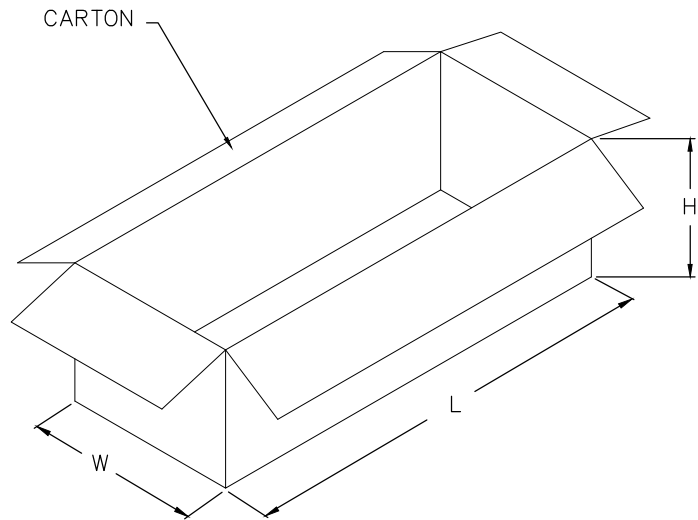
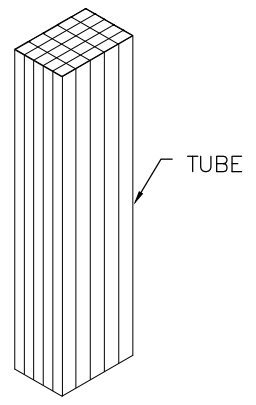
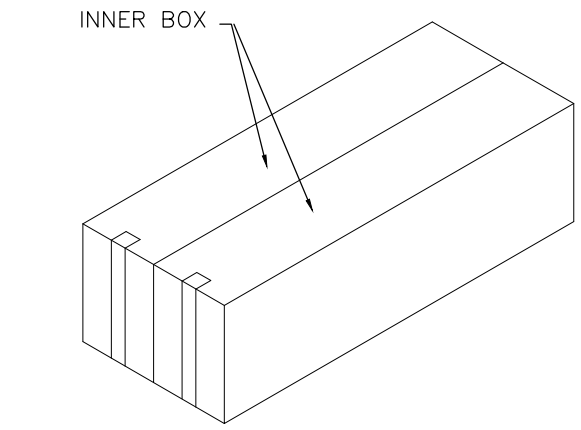
- NOTES:
- MATERIAL:
 - 1.1 TRAY: PVC
 - 1.2 SHIPPING CARTON: CORRUGATED FIBERBOARD
 - DIMENSION:
 - 2.1 TRAY: L=320, W=230, H=18.9
 - 2.2 SHIPPING CARTON: L=361, W=245, H=272
 - QUANTITY:
 - 3.1 PRIMARY PACKING: 100 PCS/TRAY
 - 3.2 SECONDARY PACKING: 10 TRAY/CARTON(1000PCS)
 - CARTON WEIGHT:
 - 4.1 NET WEIGHT: 10.24 Kg (W/SCREWLOCK)
 - 4.2 GROSS WEIGHT: 11.24 Kg (W/SCREWLOCK)
 - 4.3 NET WEIGHT: 8.24 Kg (W/O SCREWLOCK)
 - 4.4 GROSS WEIGHT: 9.24 Kg (W/O SCREWLOCK)



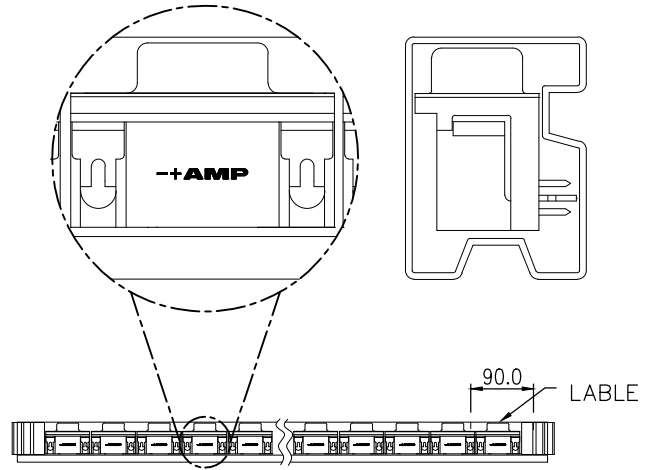
THIS DRAWING IS A CONTROLLED DOCUMENT.		DWN		TE TE Connectivity	
DIMENSIONS: MM		CHK			
TOLERANCES UNLESS OTHERWISE SPECIFIED:		APVD		NAME	
0 PLC ± -		PRODUCT SPEC		RECEPTACLE ASSY, SIZE 1, 15 POSITION, RIGHT ANGLE, THROUGH HOLE	
1 PLC ± -		APPLICATION SPEC		SIZE	
2 PLC ± -		WEIGHT		CAGE CODE	
3 PLC ± -		CUSTOMER DRAWING		DRAWING NO	
4 PLC ± -		SCALE		RESTRICTED TO	
ANGLES ± -		SHEET 2 OF 4		A3 00779 C=1734530	
FINISH		REV C			

THIS DRAWING IS UNPUBLISHED. RELEASED FOR PUBLICATION - . - .
 © COPYRIGHT - BY - ALL RIGHTS RESERVED.

LOC DW	DIST /	REVISIONS			DATE	DWN	APVD
P	LTR	DESCRIPTION					
		SEE SHEET 1.					



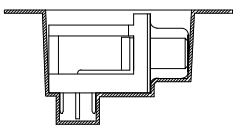
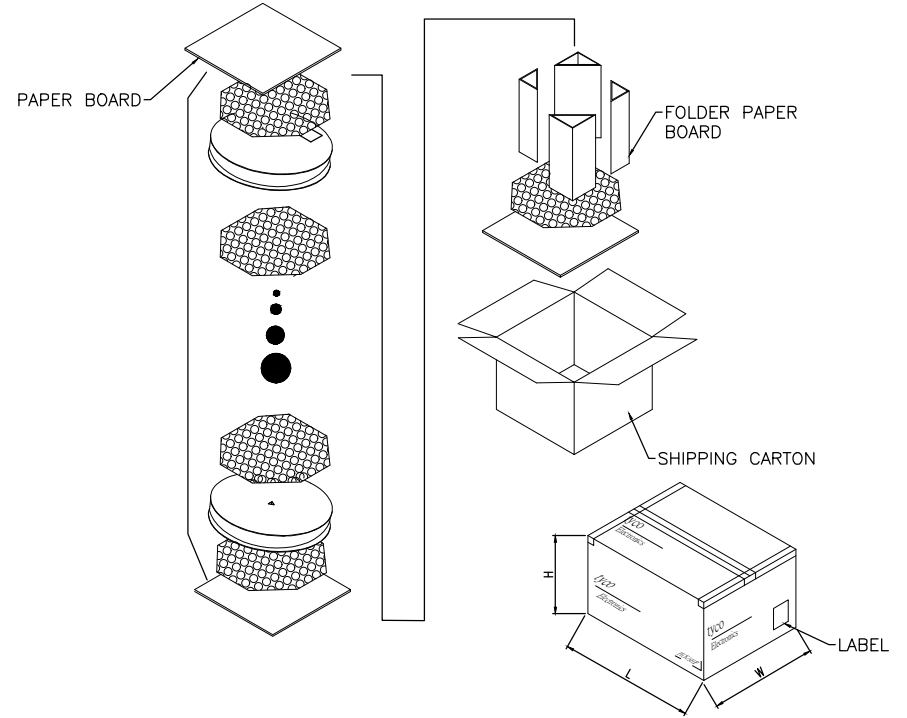
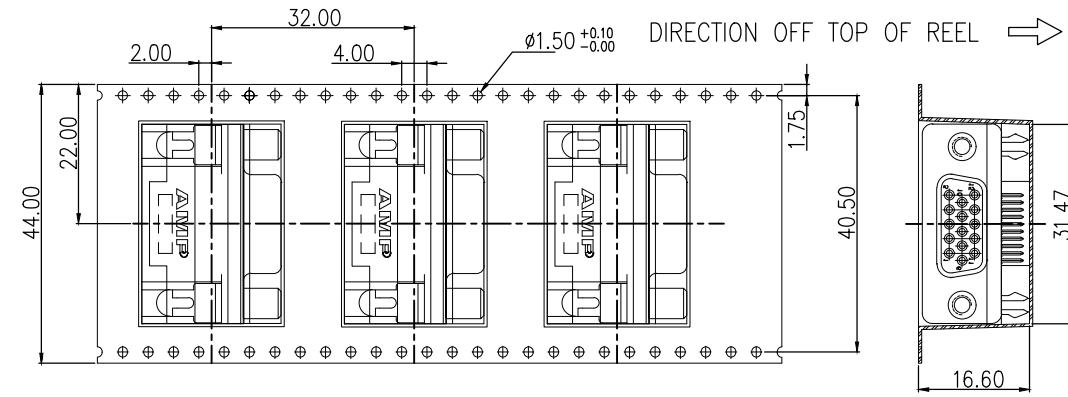
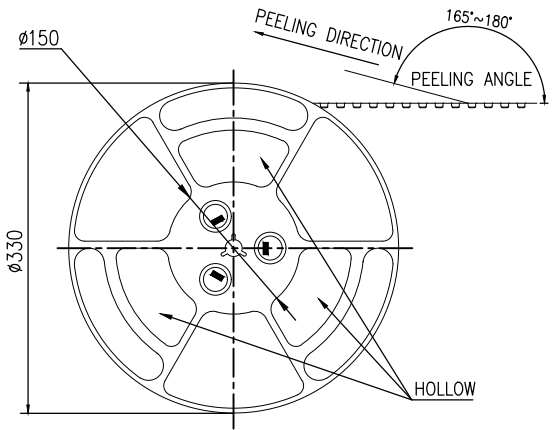
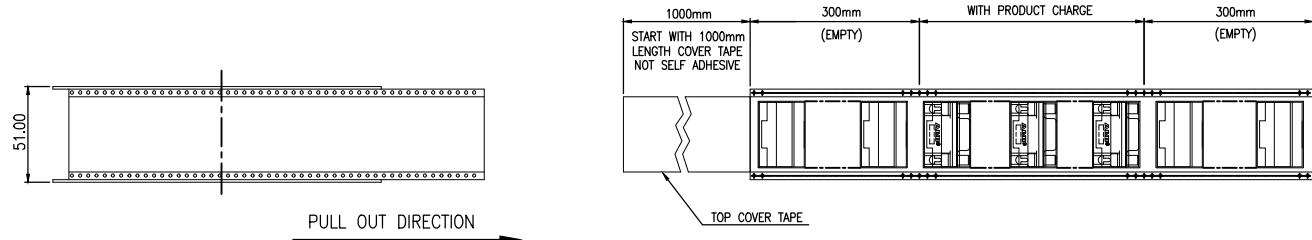
- NOTES:
- MATERIAL:
 - 1.1 TUBE: PVC
 - 1.2 SHIPPING CARTON: CORRUGATED FIBERBOARD
 - DIMENSION:
 - 2.1 TUBE: L=560, W=17.8, H=27.4
 - 2.2 SHIPPING CARTON: L=600, W=245, H=195
 - QUANTITY:
 - 3.1 PRIMARY PACKING: 17 PCS/TUBE
 - 3.2 SECONDARY PACKING: 25 TUBE/BOX
 - 3.3 THIRD PACKING: 2 BOX/CARTON(850PCS)
 - CARTON WEIGHT:
 - 4.1 NET WEIGHT: 8.7 Kg (W/O SCREWLOCK)
 - 4.2 GROSS WEIGHT: 9.7 Kg (W/O SCREWLOCK)



THIS DRAWING IS A CONTROLLED DOCUMENT.		DWN	TE Connectivity	
DIMENSIONS: MM		CHK	NAME	
TOLERANCES UNLESS OTHERWISE SPECIFIED:		APVD	RECEPTACLE ASSY, SIZE 1, 15 POSITION, RIGHT ANGLE, THROUGH HOLE	
0 PLC ± -		PRODUCT SPEC	SIZE	RESTRICTED TO
1 PLC ± -		APPLICATION SPEC	CAGE CODE	
2 PLC ± -		WEIGHT	DRAWING NO	
3 PLC ± -		CUSTOMER DRAWING	A3 00779	
4 PLC ± -		SCALE	C=1734530	
ANGLES ± -		SHEET	3 OF 4	
FINISH		REV	C	

THIS DRAWING IS UNPUBLISHED. RELEASED FOR PUBLICATION
 © COPYRIGHT BY ALL RIGHTS RESERVED.

LOC	DIST	REVISIONS					
DW		P	LTR	DESCRIPTION	DATE	DWN	APVD
				SEE SHEET 1.			



PRODUCT TYPE	PCS/REEL	REEL/CARTON	TOTAL(PCS)	CTN SIZE (CM)	NW(Kg)	GW(Kg)
D-SUB H/D 15P	100	6	600	360X360X350	5.4	5.9

DWN		-		 TE Connectivity RECEPTACLE ASSY, SIZE 1, 15 POSITION, RIGHT ANGLE, THROUGH HOLE			
CHK		-					
APVD		-					
NAME		-					
PRODUCT SPEC		-		SIZE	CAGE CODE	DRAWING NO	RESTRICTED TO
APPLICATION SPEC		-		A3	00779	C=1734530	-
WEIGHT		-		CUSTOMER DRAWING		SCALE	SHEET
						-	4 OF 4
							REV C

THIS DRAWING IS A CONTROLLED DOCUMENT.

DIMENSIONS:	TOLERANCES UNLESS OTHERWISE SPECIFIED:
MM	
	0 PLC ± -
	1 PLC ± -
	2 PLC ± -
	3 PLC ± -
	4 PLC ± -
	ANGLES ± -
MATERIAL	FINISH