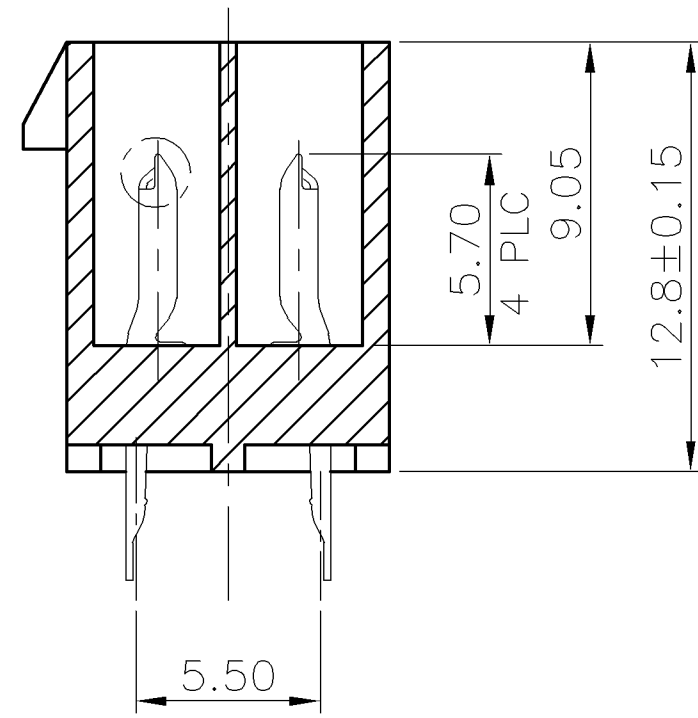


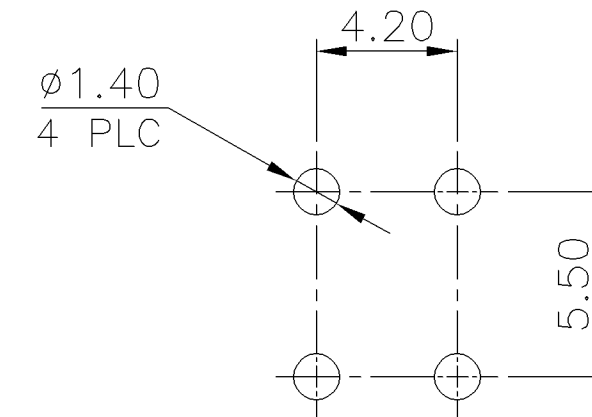
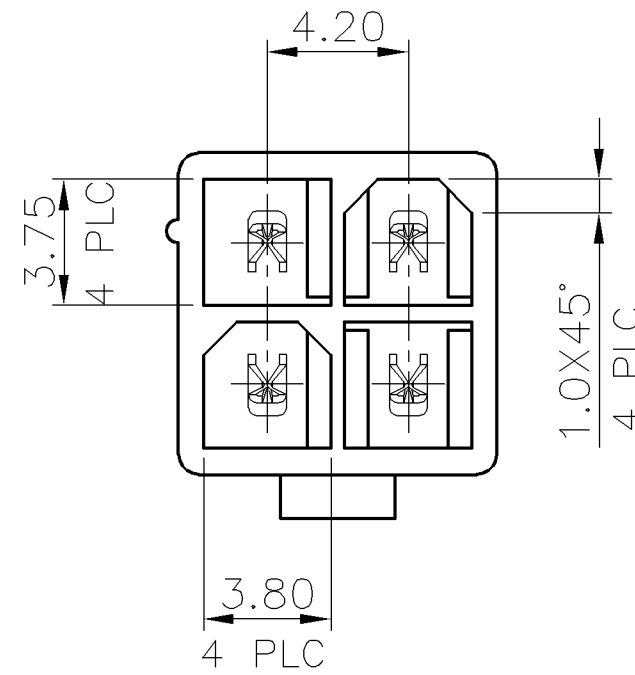
LOC		DIST		REVISIONS					
DW		-		P	LTR	DESCRIPTION	DATE	DWN	APVD
					C	REVISED (ECR-10-025182, CHANGE TO MATTE-TIN)	31JAN'11	EL	WK

NOTE:

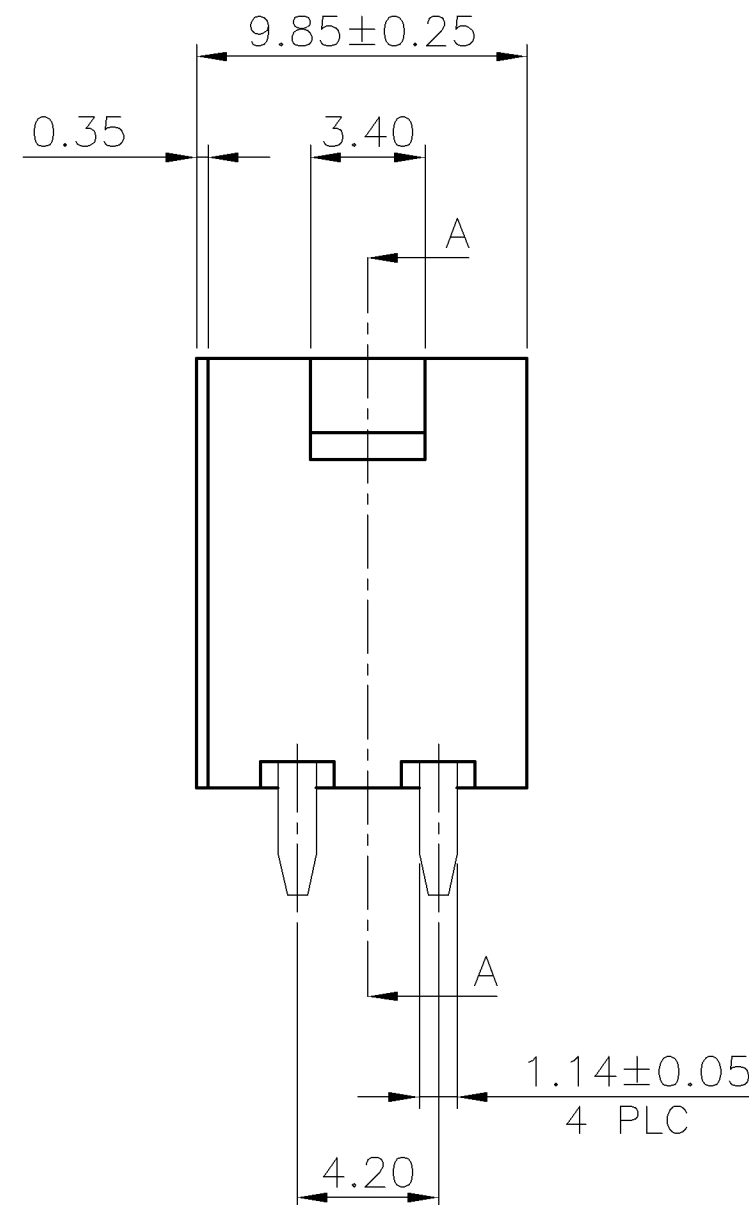
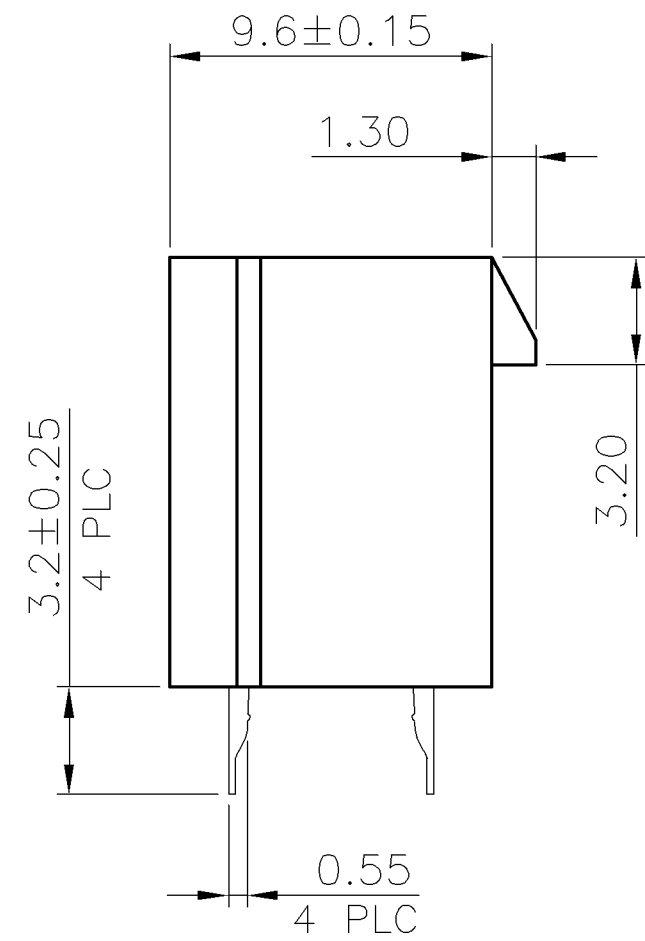
- 1.MATERIAL:
HOUSING: PA46 UL 94V-0, COLOR: (SEE TABLE).
CONTACTS: BRASS.
2. FINISH:
CONTACTS: 3.05um [120u"] MIN. MATTE-TIN
1.27um [50u"] MIN. NICKEL UNDERPLATED ALL OVER.
3. WAVE SOLDER CAPABLE TO 265°C PER TEST SPEC.
109-202, CONDITION B.
4. WEIGHT: SEE TABLE.
5. OBSOLETE PARTS: OBSOLETE CIS STREAMLINING PER D.RENAUD/D.SINISI



SECTION A-A



RECOMMENDED PCB LAYOUT(T=1.6MM)
(TOLERANCE: ±0.05)

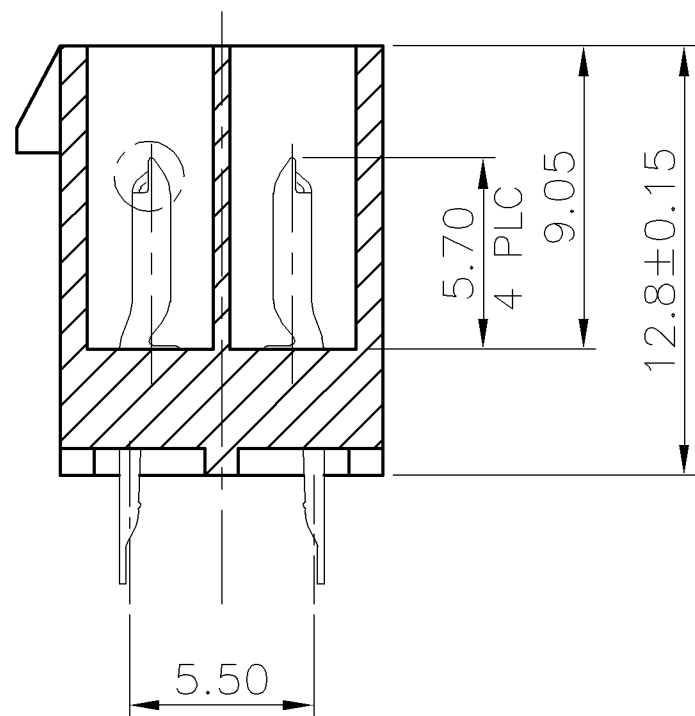


5 (FOR -1 AND -2)

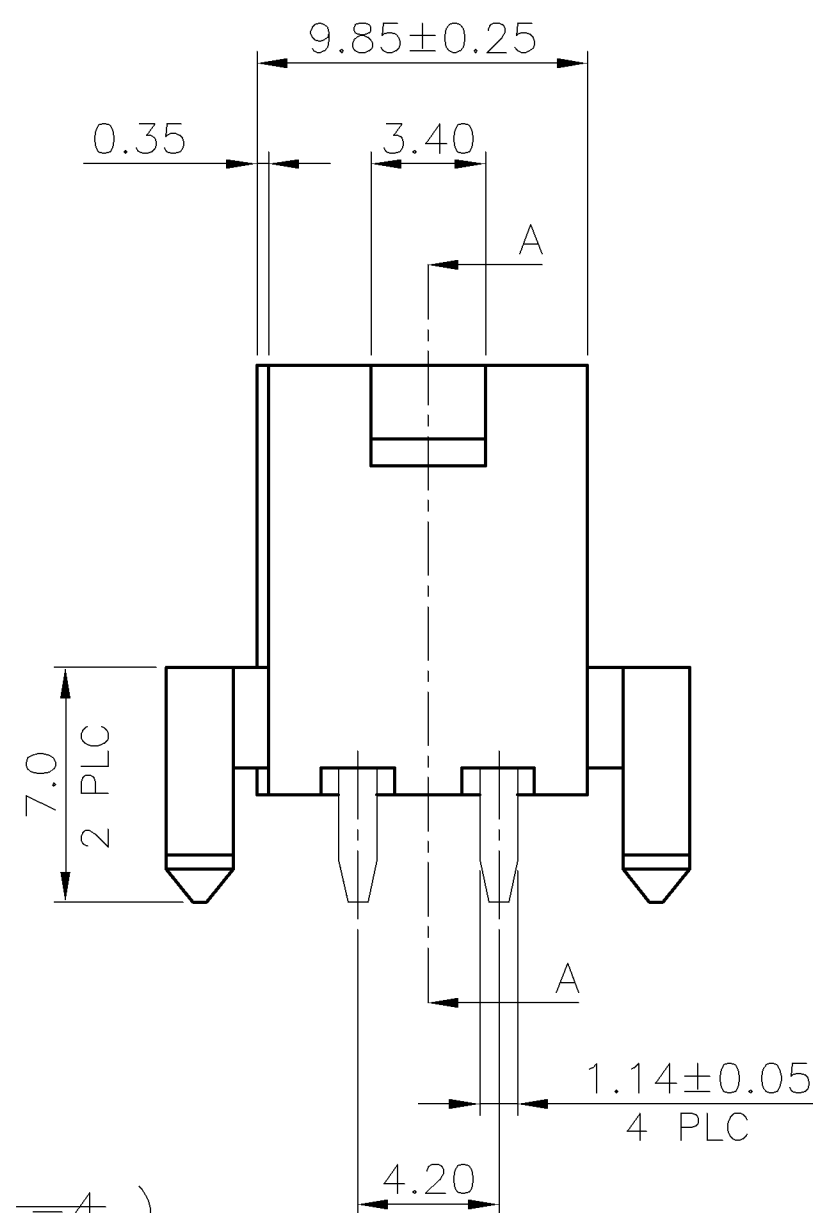
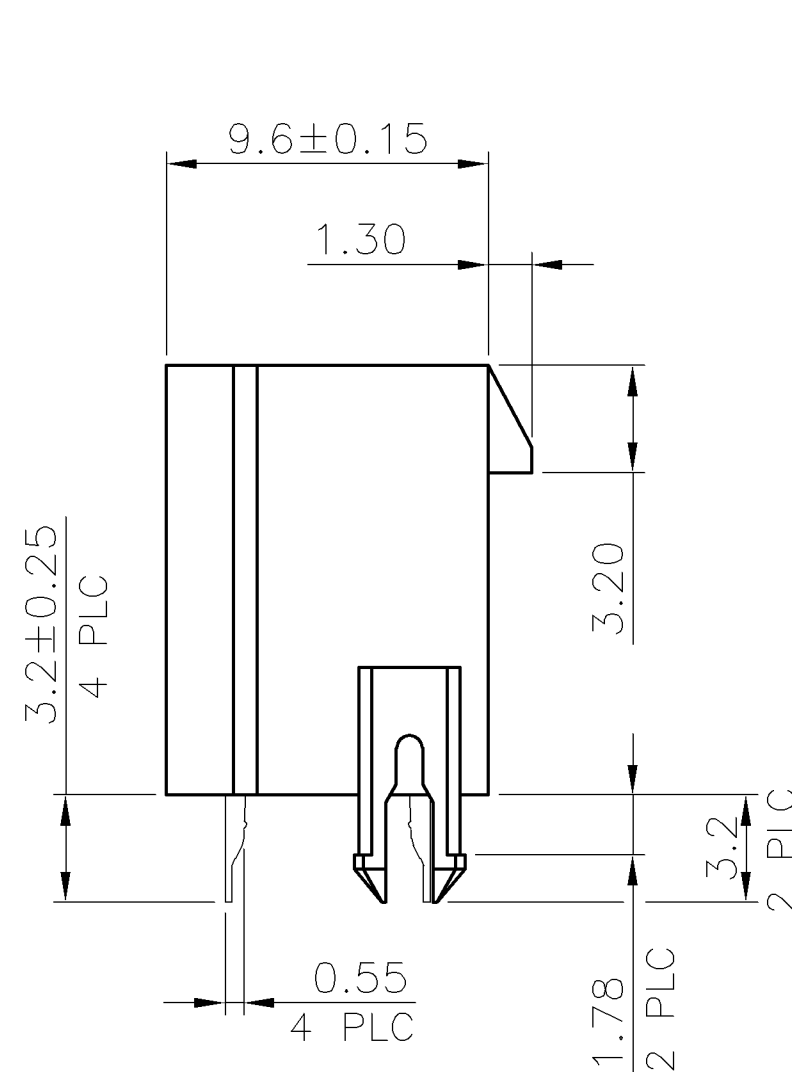
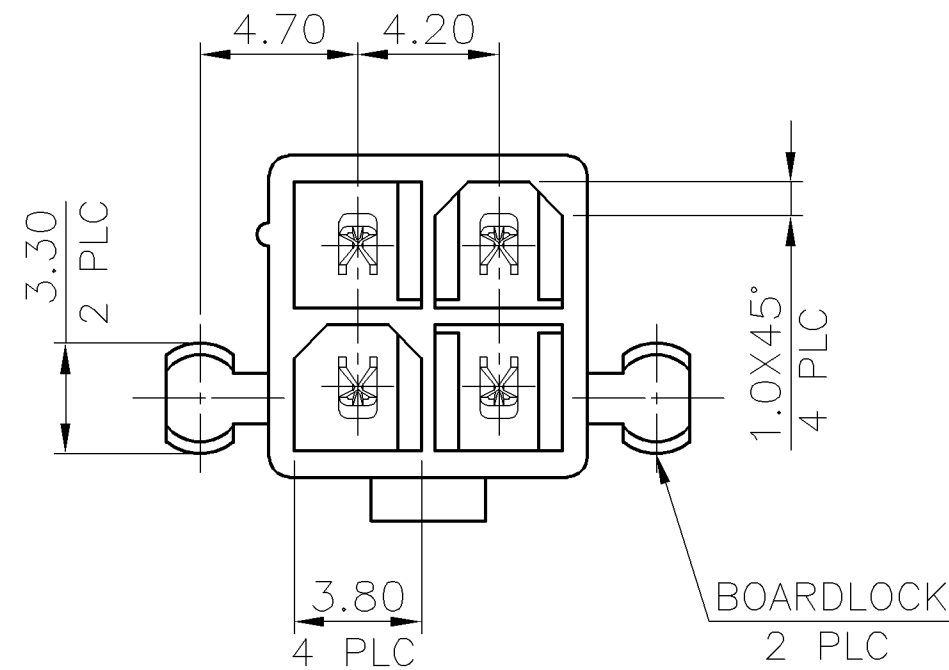
5 OBSOLETE	1.18	W/O	W/	NATURAL	1734385-8
				IVORY (WARM GRAY 1U)	1734385-7
OBSOLETE 5	1.18	W/	W/O	NATURAL	1734385-6
				IVORY (WARM GRAY 1U)	1734385-5
OBSOLETE 5	1.21	W/	W/	NATURAL	1734385-4
				IVORY (WARM GRAY 1U)	1734385-3
OBSOLETE 5	1.15	W/O	W/O	NATURAL	1734385-2
				IVORY (WARM GRAY 1U)	1734385-1
NET WEIGHT gm/PCS		LEFT	RIGHT	HSG.COLOR	PART NUMBER
		BOARDLOCK			

THIS DRAWING IS A CONTROLLED DOCUMENT.		DWN	28JUL2009		Tyco Electronics Corporation	
		B. HSING			Taipei, Taiwan	
		CHK	28JUL2009			
		S. CHIEN				
		APVD	28JUL2009		NAME	
		W. KODAMA				
DIMENSIONS: MM		TOLERANCES UNLESS OTHERWISE SPECIFIED:		PRODUCT SPEC		
		0 PLC ± -		108-57394		
		1 PLC ± 0.30		APPLICATION SPEC		
		2 PLC ± 0.20		501-57426		
		3 PLC ± 0.15		SIZE		
		4 PLC ± -		CAGE CODE		
		ANGLES ± 3°		DRAWING NO		
MATERIAL SEE NOTE		FINISH SEE NOTE		WEIGHT SEE TABLE		RESTRICTED TO
				A300779		-
				G=1734385		
				CUSTOMER DRAWING		SCALE - SHEET 1 OF 3 REV C

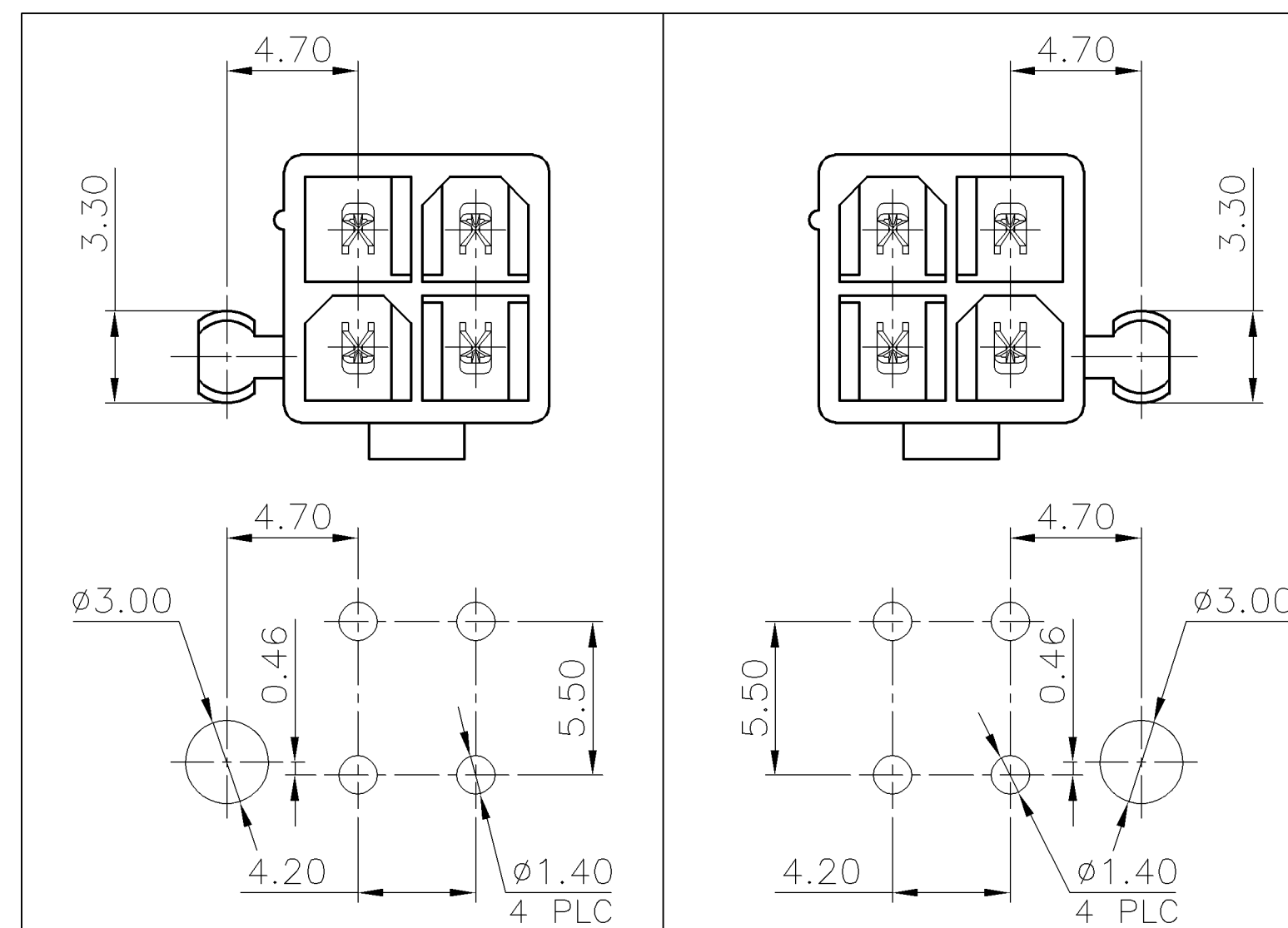
LOC	DIST	REVISIONS					
DW	—	P	LTR	DESCRIPTION	DATE	DWN	APVD
				SEE SHEET 1.			



SECTION A-A

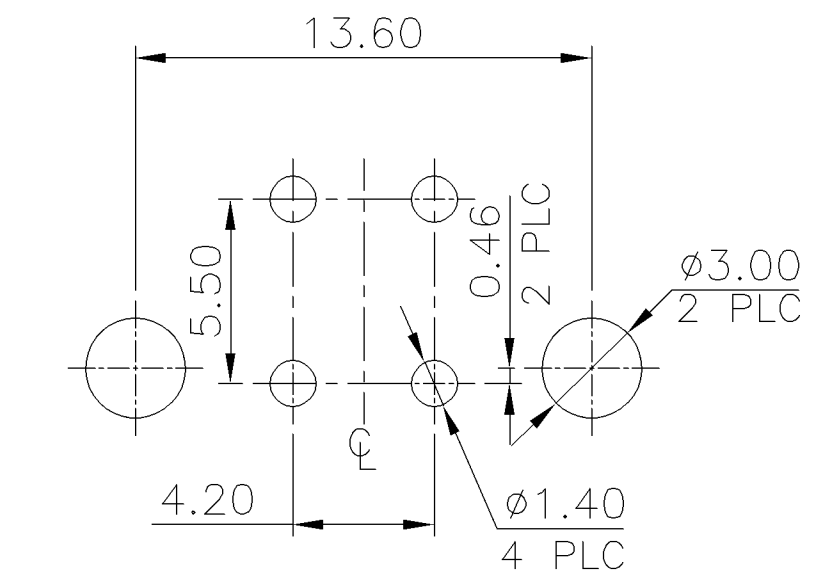


5 (FOR —3 AND —4)



5 LEFT BOARDLOCK FOR —5 & —6 5 RIGHT BOARDLOCK FOR —7 & —8

RECOMMENDED PCB LAYOUT(T=1.6MM)

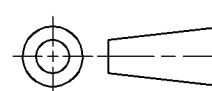


RECOMMENDED PCB LAYOUT(T=1.6MM)

(TOLERANCE: ±0.05)

THIS DRAWING IS A CONTROLLED DOCUMENT.

DIMENSIONS: MM



TOLERANCES UNLESS OTHERWISE SPECIFIED:	
0 PLC	± -
1 PLC	± 0.30
2 PLC	± 0.20
3 PLC	± 0.15
4 PLC	± -
ANGLES	± 3'

MATERIAL SEE NOTE

FINISH SEE NOTE

DWN	—
CHK	—
APVD	—
PRODUCT SPEC	—
APPLICATION SPEC	—
WEIGHT	SEE TABLE
CUSTOMER DRAWING	

Tyco Electronics Corporation Taipei, Taiwan

NAME

ATX POWER CONNECTOR, 4 POSITION, DIP

SIZE	CAGE CODE	DRAWING NO	RESTRICTED TO
A3	00779	C=1734385	—

SCALE	SHEET	REV
—	2 OF 3	C

4

3

2

1

THIS DRAWING IS UNPUBLISHED.

RELEASED FOR PUBLICATION

AUG ,2006.

© COPYRIGHT - BY TYCO ELECTRONICS CORPORATION.

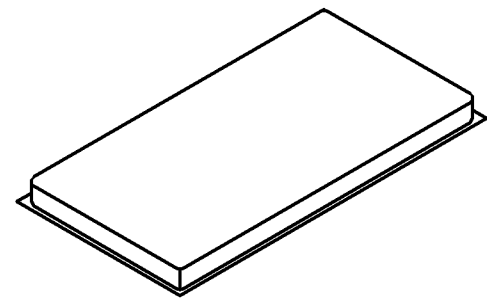
ALL RIGHTS RESERVED.

LOC
DW

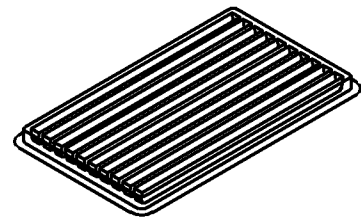
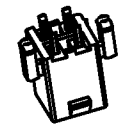
DIST
—

REVISIONS

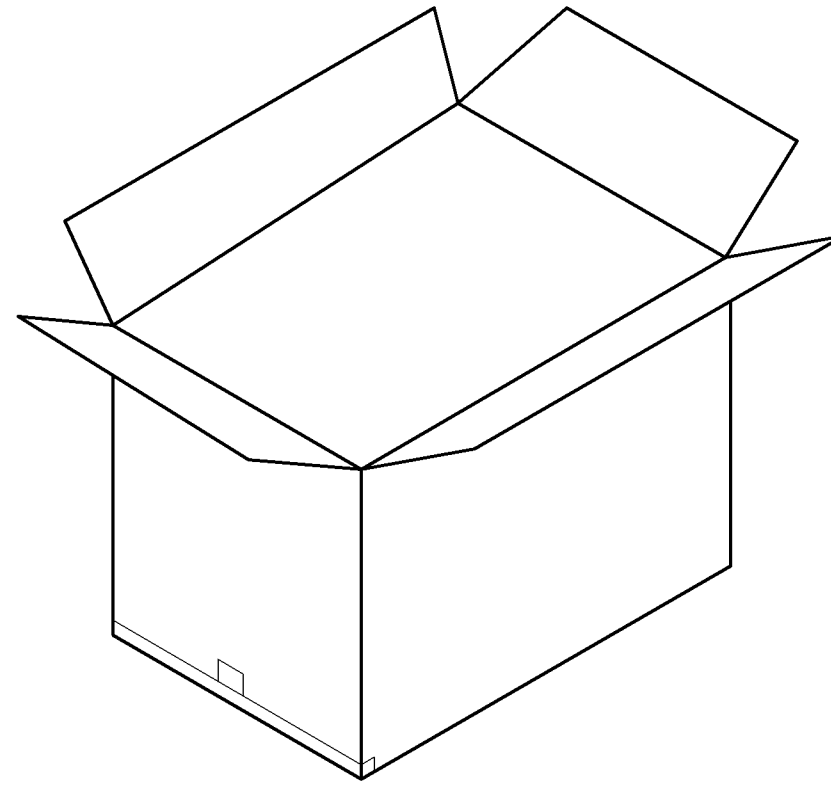
P	LTR	DESCRIPTION	DATE	DWN	APVD
		SEE SHEET 1.			



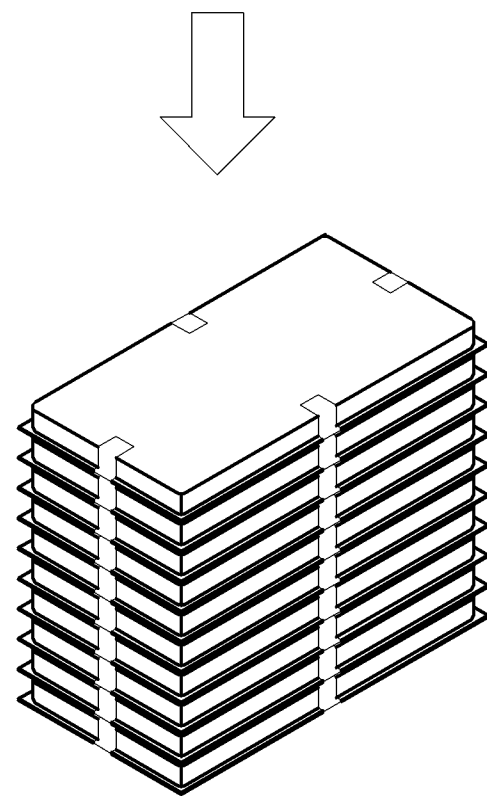
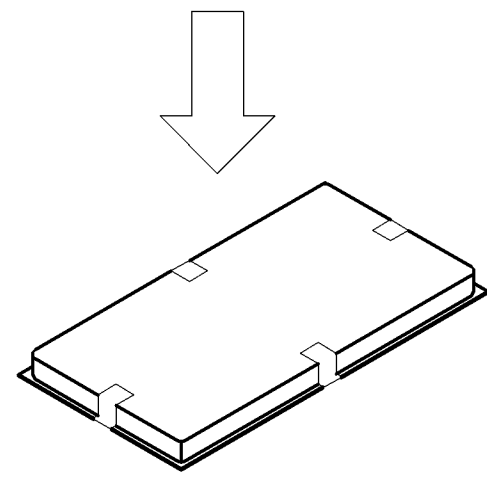
TOP COVER



TRAY



BOX



10 TRAY

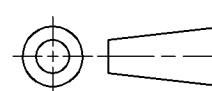
NOTES:

- 1. TRAY: PVC, SIZE: 330mm(L)X 265mm(W)X 22mm(H).
- 2. BOX: CORRUGATED, SIZE: 350mm(L)X 279mm(W)X 195mm(H).
- 3. QUANTITY: SEE TABLE.

6.56	4.96	420	10	4200	W/O	W/
6.56	4.96	420	10	4200	W/	W/O
5.96	4.36	360	10	3600	W/	W/
7.12	5.52	480	10	4800	W/O	W/O
GROSS WEIGHT	NET WEIGHT	PCS /TRAY	TRAYS /BOX	PCS /BOX	LEFT BOARDLOCK	RIGHT BOARDLOCK

THIS DRAWING IS A CONTROLLED DOCUMENT.

DIMENSIONS:
MM



TOLERANCES UNLESS OTHERWISE SPECIFIED:

0 PLC	± -
1 PLC	± 0.30
2 PLC	± 0.20
3 PLC	± 0.15
4 PLC	± -
ANGLES	± 3°

MATERIAL

SEE NOTE

FINISH

SEE NOTE

DWN

CHK

APVD

PRODUCT SPEC

APPLICATION SPEC

WEIGHT

SEE TABLE

CUSTOMER DRAWING



Tyco Electronics Corporation
Taipei, Taiwan

NAME

ATX POWER CONNECTOR,
4 POSITION, DIP

SIZE

CAGE CODE

DRAWING NO

A3 00779 C-1734385

RESTRICTED TO

SCALE

—

SHEET

3 OF 3

REV

C