

4

3

2

1

THIS DRAWING IS UNPUBLISHED. RELEASED FOR PUBLICATION AUG ,2006.
 © COPYRIGHT 2009 BY TYCO ELECTRONICS CORPORATION. ALL RIGHTS RESERVED.

LOC	DIST	REVISIONS				
P	LTR	DESCRIPTION	DATE	DWN	APVD	
		D	REVISED AS PER ECN-22-176158	27JUL2022	HS SZ	

RECOMMENDED PCB LAYOUT

NOTE:

- MATERIAL:
 HOUSING: THERMOPLASTIC HIGH TEMPERATURE, UL 94V-0, COLOR: SEE PART TABLE.
 CONTACT: PHOSPHOR BRONZE, THICKNESS=0.25mm.
 SHELL: PHOSPHOR BRONZE, THICKNESS=0.30mm.
 REAR SHELL: STAINLESS, THICKNESS=0.30mm.
- FINISH:
 CONTACT: Δ GOLD FLASH OVER 30u" MIN. PALLADIUM-NICKEL OR ALTERNATIVE 30u" MIN. GOLD PLATED ON CONTACT AREA,
 Δ GOLD FLASH ON CONTACT AREA,
 100u" MIN. MATTE-TIN PLATED ON SOLDER TAILS,
 50u" MIN. NICKEL UNDERPLATED ALL OVER.
 SHELL: 30u"~ 90u" NICKEL PLATED OVER ALL.
- PANEL THICKNESS OF 2.67mm MAXIMUM IF RECEPTACLE CONNECTOR IS MOUNTED BEHIND A PANEL.
- REFLOW SOLDER CAPABLE TO 260°C PER TE SPEC 109-201, CONDITION B.

Δ PLEASE REMOVE POST HOLE ON PCB.
 Δ NO EMBOSSED ON TOP SURFACE OF SHELL.
 Δ OBSOLETE PARTS: OBSOLETE CIS STREAMLINING PER D.RENAUD/D.SINISI.

REAR SHELL	PACKAGE	POST	FINISH	HSG'S COLOR	PART NUMBER
w/o	REEL	w/o	Δ	WHITE Δ	2-1734346-8
			Δ	BLACK Δ	2-1734346-7
		w/	Δ	WHITE Δ	2-1734346-6
			Δ	BLACK Δ	2-1734346-5
	REEL	w/o	Δ	WHITE Δ	2-1734346-4
			Δ	BLACK Δ	2-1734346-3
		w/	Δ	WHITE Δ	2-1734346-2
			Δ	BLACK Δ	2-1734346-1
w/	REEL	w/o	Δ	WHITE Δ	1-1734346-8
			Δ	BLACK Δ	1-1734346-7
		w/	Δ	WHITE Δ	1-1734346-6
			Δ	BLACK Δ	1-1734346-5
	TRAY	w/o	Δ	WHITE Δ	1-1734346-4
			Δ	BLACK Δ	1-1734346-3
		w/	Δ	WHITE Δ	1-1734346-2
			Δ	BLACK Δ	1-1734346-1

THIS DRAWING IS A CONTROLLED DOCUMENT.		DWN	O. HU	26OCT2005	 TE Connectivity	NAME USB CONNECTOR, SERIES B, 4 POSITIONS, R/A, SMT TYPE, WITH REAR SHELL
DIMENSIONS: MM		CHK	S. HOU	26OCT2005		
TOLERANCES UNLESS OTHERWISE SPECIFIED:		APVD	W.J. KE	26OCT2005		
0 PLC ± 0.5 1 PLC ± 0.25 2 PLC ± 0.15 3 PLC ± 0.05 4 PLC ± ANGLES ± 3°		PRODUCT SPEC	108-57538			
MATERIAL SEE NOTE		FINISH	SEE NOTE		APPLICATION SPEC	—
		WEIGHT	—		SIZE	A3
		CUSTOMER DRAWING	CAGE CODE	00779	DRAWING NO	C=1734346
		SCALE	—		RESTRICTED TO	—
		SHEET	1 OF 3		REV	D

AMP 1470-19 REV 31MAR2000

4

3

2

1

THIS DRAWING IS UNPUBLISHED.

RELEASED FOR PUBLICATION

AUG ,2006.

© COPYRIGHT 2009 BY TYCO ELECTRONICS CORPORATION. ALL RIGHTS RESERVED.

LOC

DIST

REVISIONS

DW

P

LTR

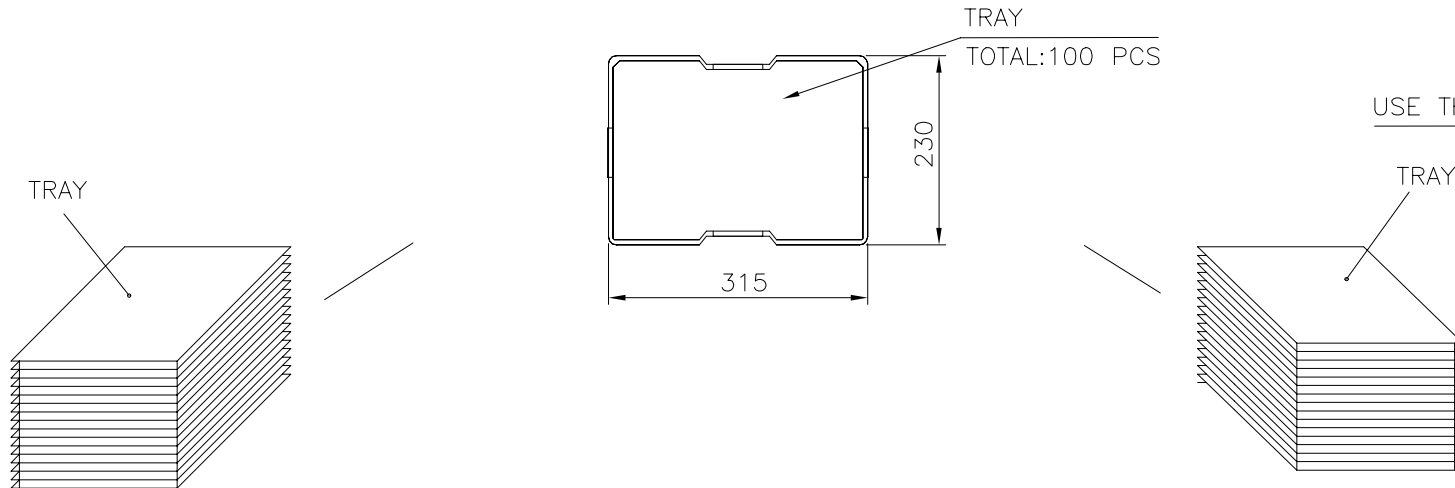
DESCRIPTION

DATE

DWN

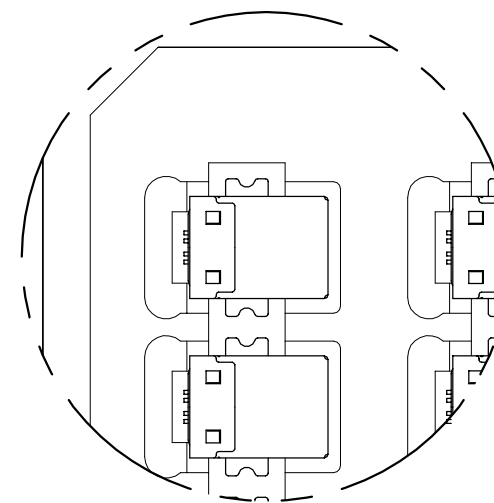
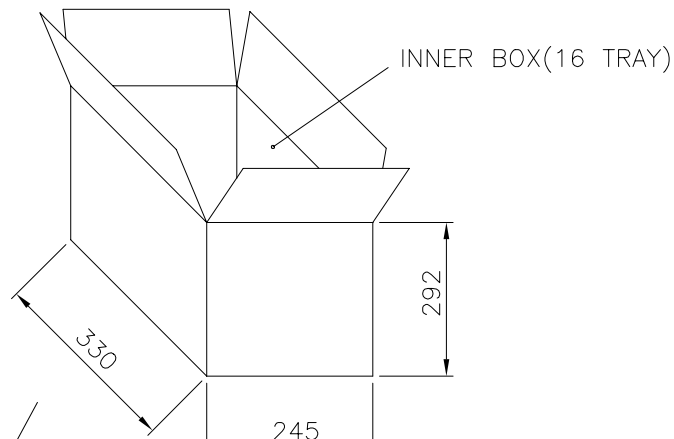
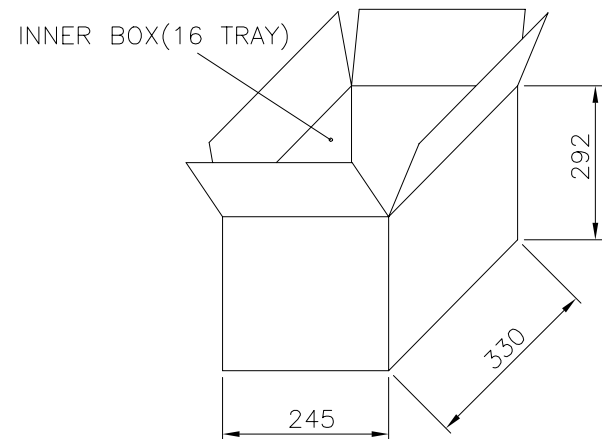
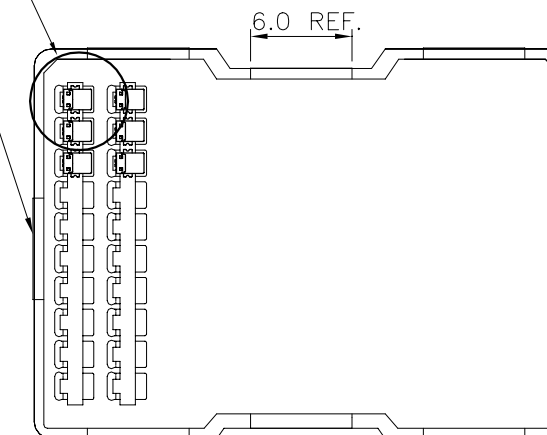
APVD

SEE SHEET 1.

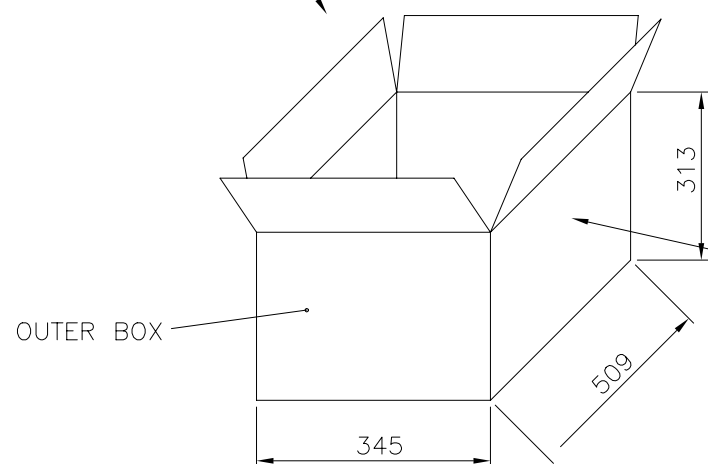


USE THE TAPE TO FIX THE TRAY
8 PLC


VIEW A



VIEW A

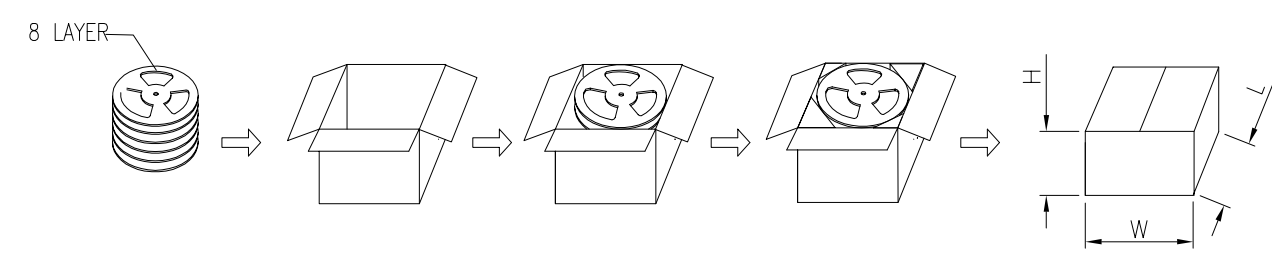
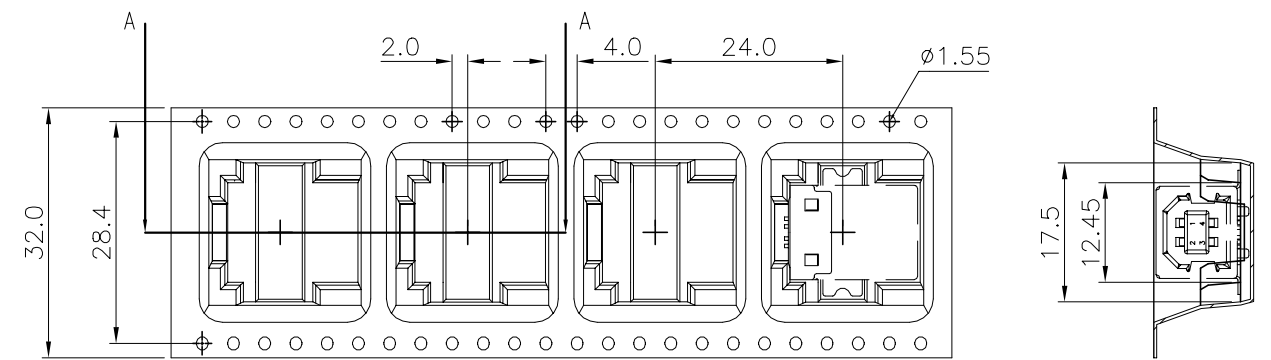
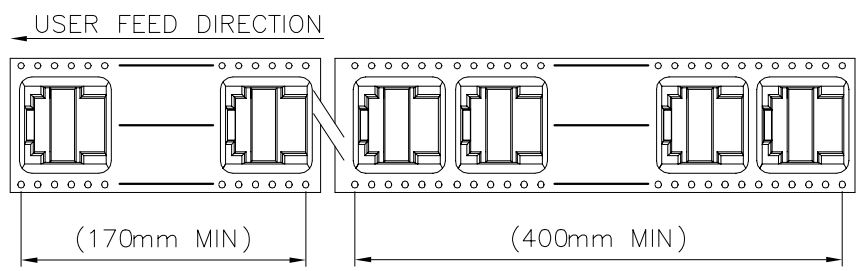
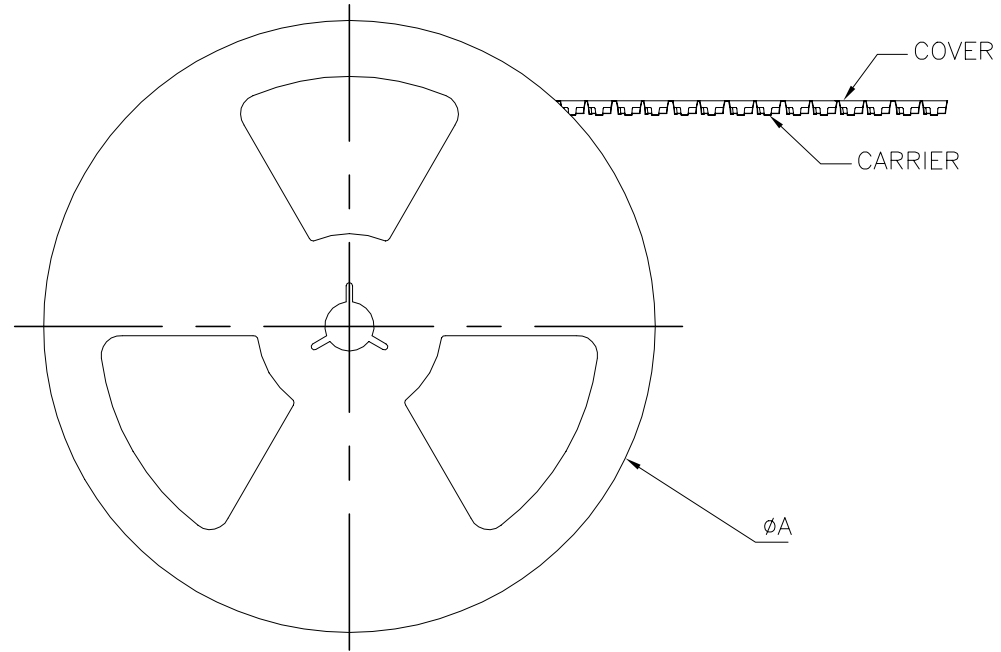
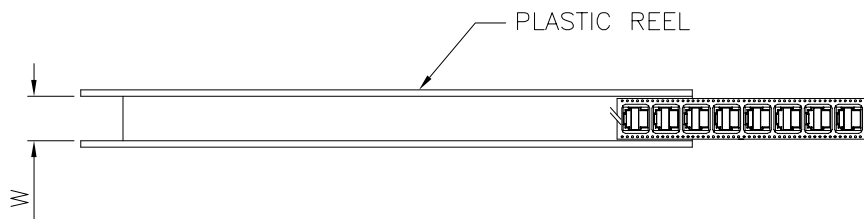


CARTON
32TRAY/ CARTON
TOTAL:3200 PCS
GROSS WEIGHT: 16.5 KGS.
NET WEIGHT: 15.5 KGS

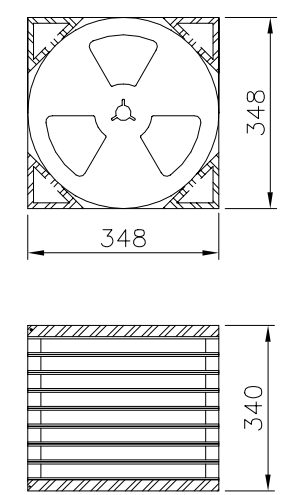
THIS DRAWING IS A CONTROLLED DOCUMENT.		DWN	 TE Connectivity	
DIMENSIONS: MM		CHK		
TOLERANCES UNLESS OTHERWISE SPECIFIED:		APVD	NAME	
0 PLC ± -		PRODUCT SPEC	USB CONNECTOR, SERIES B, 4 POSITIONS, R/A, SMT TYPE, WITH REAR SHELL	
1 PLC ± -		APPLICATION SPEC	SIZE	RESTRICTED TO
2 PLC ± -		—	A3	—
3 PLC ± -		WEIGHT	00779	—
4 PLC ± -		CUSTOMER DRAWING	1734346	—
ANGLES ± -		SCALE	—	—
MATERIAL		SHEET	2 of 3	REV D
FINISH		REV	D	

THIS DRAWING IS UNPUBLISHED. RELEASED FOR PUBLICATION AUG ,2006.
 © COPYRIGHT 2009 BY TYCO ELECTRONICS CORPORATION. ALL RIGHTS RESERVED.

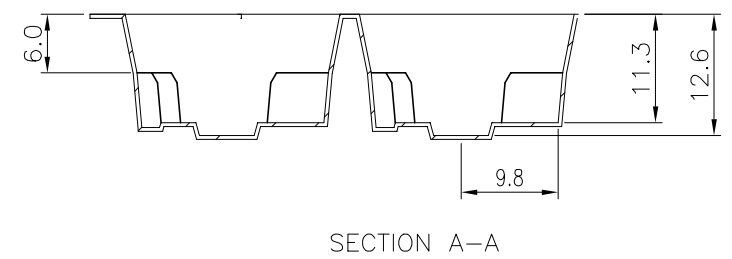
LOC	DIST	REVISIONS					
DW		P	LTR	DESCRIPTION	DATE	DWN	APVD
				SEE SHEET 1.			



OUT BOX PACKAGE DIAGRAM DRAWING



PACKING VIEW



SECTION A-A

- NOTE:
- MATERIAL:
EMBOSSED CARRIER :PS .
COVER TAPE :PET.
SHIPPING CARTON : CORRUGATED FIBERBOARD.
 - DIMENSION:
REEL : W=32, $\phi A=330$ mm.
SHIPPING CARTON : L=348, W=348, H=340mm.
 - QUANTITY:
PRIMARY PACKING : 200 PCS/REEL.
SECONDARY PACKING : 8 REEL/CARTON(1,600PCS).
 - WEIGHT:
NET WEIGHT : 9.5kg.
GROSS WEIGHT : 10.5kg.

THIS DRAWING IS A CONTROLLED DOCUMENT.		DWN	TE Connectivity			
		CHK				
DIMENSIONS: MM 		APVD	NAME			
TOLERANCES UNLESS OTHERWISE SPECIFIED: 0 PLC ± - 1 PLC ± - 2 PLC ± - 3 PLC ± - 4 PLC ± - ANGLES ± -		PRODUCT SPEC	USB CONNECTOR, SERIES B, 4 POSITIONS, R/A, SMT TYPE, WITH REAR SHELL			
MATERIAL		APPLICATION SPEC	SIZE	CAGE CODE	DRAWING NO	RESTRICTED TO
FINISH		WEIGHT	A3	00779	1734346	
		CUSTOMER DRAWING	SCALE	SHEET	3 of 3	REV D