

THIS DRAWING IS UNPUBLISHED.

RELEASED FOR PUBLICATION

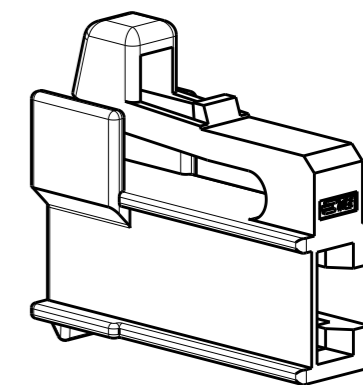
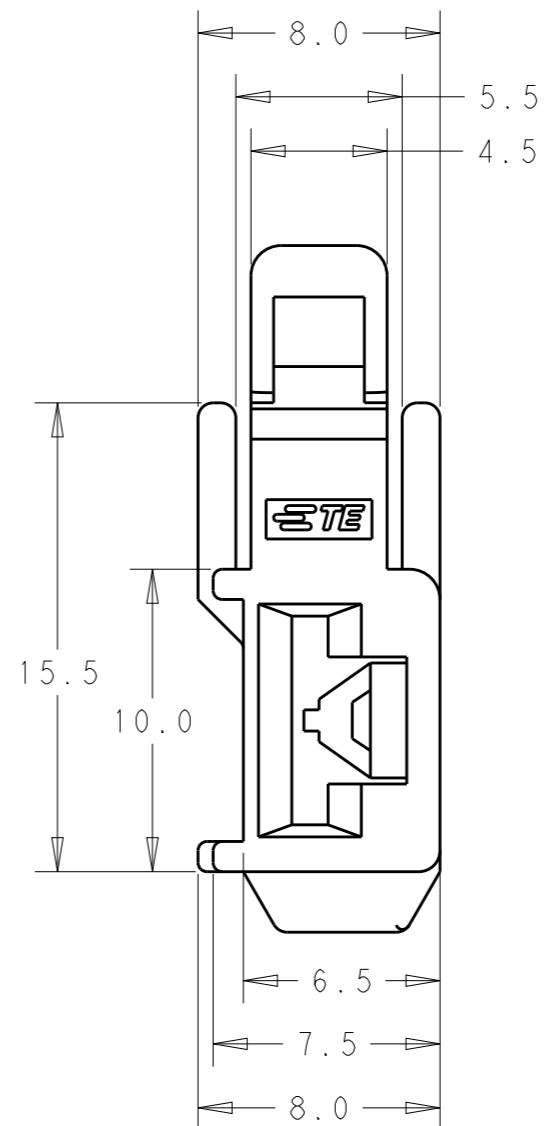
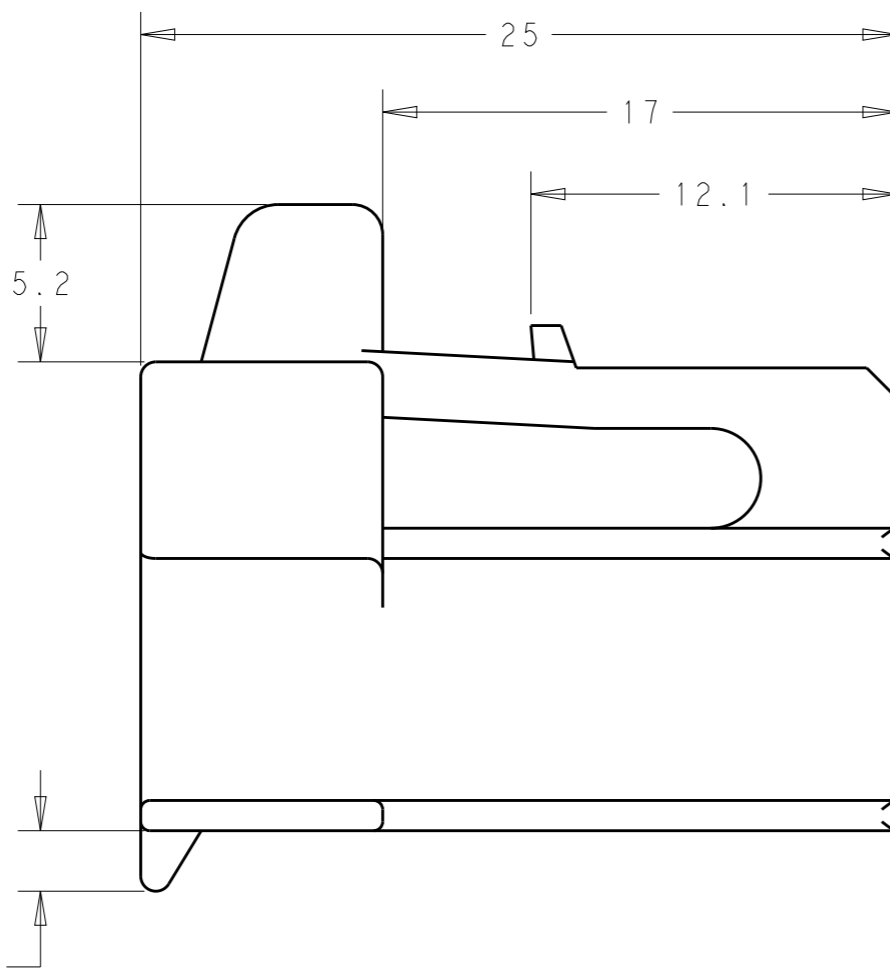
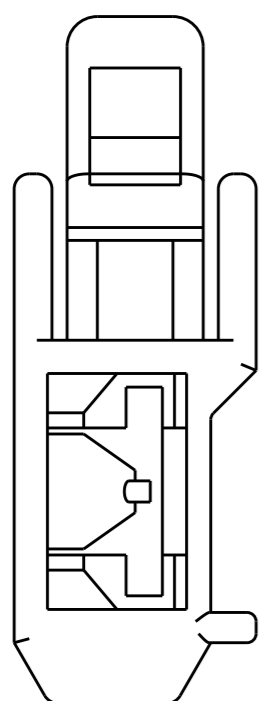
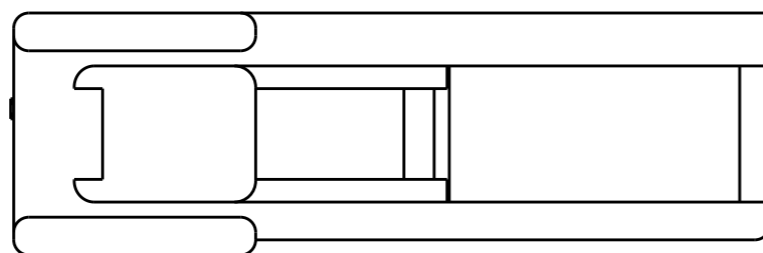
2017

© COPYRIGHT 2017 BY -

ALL RIGHTS RESERVED.

REVISIONS



P	LTR	DESCRIPTION	DATE	DWN	APVD
	A	REVISED PER ECR-17-008964	22JUN2017	K.S	RRP



SCALE 2:1

1. APPLICABLE TERMINAL: 250 SERIES RECEPTACLE (EXAMPLE: P/N 170032-2)

BLACK	173271-2
NATURAL	173271-1
COLOR	P/N

THIS DRAWING IS A CONTROLLED DOCUMENT.		DWN K. SAKAI 22JUN2017	 TE Connectivity				
DIMENSIONS: mm		CHK TIM DING 22JUN2017					
		APVD RAJENDRA 22JUN2017					
TOLERANCES UNLESS OTHERWISE SPECIFIED:		PRODUCT SPEC	NAME 250 SERIES HORN CONNECTOR 1 Pos. PLUG HOUSING				
0 PLC ±0.25 1 PLC ±0.2 2 PLC ± 3 PLC ± 4 PLC ± ANGLES ±3°		APPLICATION SPEC	SIZE A3	CAGE CODE -	DRAWING NO C-173271	RESTRICTED TO -	
MATERIAL PBT		FINISH -	WEIGHT 1.7g	SCALE 4:1		SHEET 1 OF 1	REV A
CUSTOMER DRAWING							