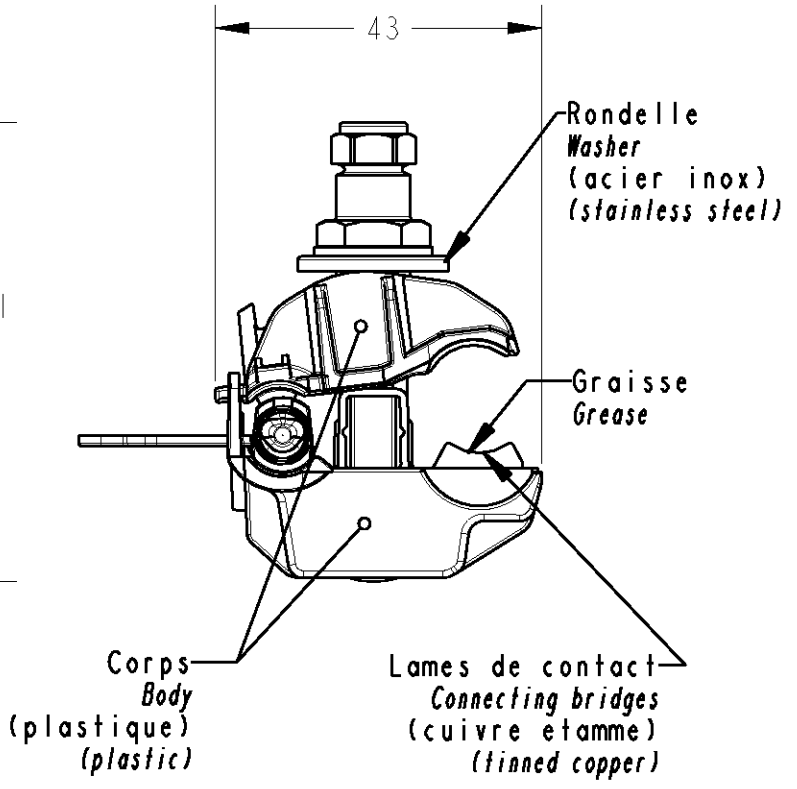
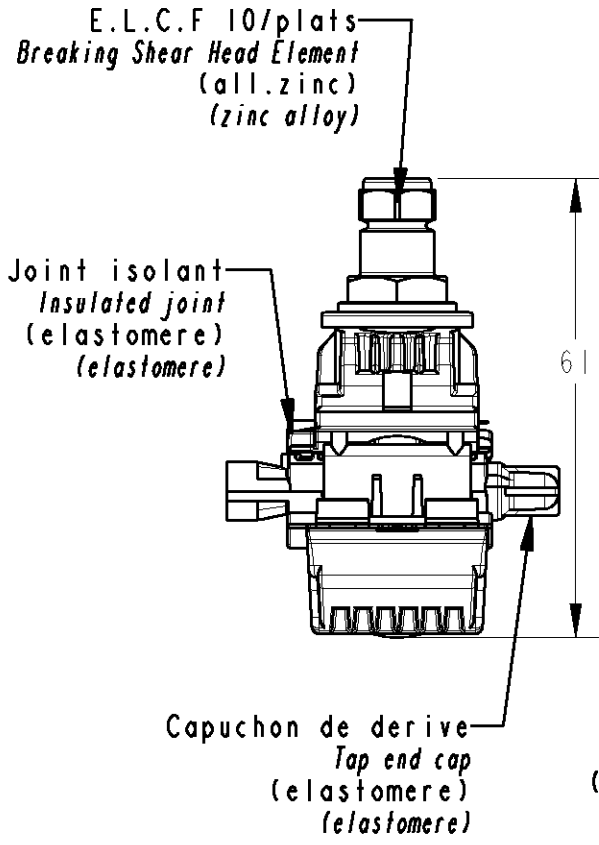


LOC	DIST	REVISIONS				
P	LTR REV	DESCRIPTION MODIFICATIONS	DATE	DWN DESS.	APVD APP.	
FH	2	A	creation plan com -1	12JAN2006	CA GP	
		B	EQ00-0563-06	22Dec2006	CA GP	



PN	Code	REFERENCE	Capacities mm2		Couple rupture ELCF Breaking shear head torque	Cle serrage hexagonale Hexagonal wrench
			Principal Main	Derive Tap		
1727912-1	030868	EP95	16-95	1,5-10	6,6 to 8 Nm	10 mm

20
 RELEASED FOR PUBLICATION
 LIBRE A LA DIFFUSION
 THIS DRAWING IS UNPUBLISHED.
 DIFFUSION RESTREINTE
 BY TYCO ELECTRONICS CORPORATION. ALL RIGHTS RESERVED.
 COPYRIGHT 20

TOLERANCES UNLESS OTHERWISE SPECIFIED	-
TOLERANCES NON SPECIFIEES	-
FINISH	-

DIMENSIONS: mm

~~TOLERANCES UNLESS OTHERWISE SPECIFIED
 TOLERANCES NON SPECIFIEES (SUIV. NB DE DECIMALES):
 0 PLC /DEC: ±0
 1 PLC /DEC: ±0
 2 PLC /DEC: ±0
 3 PLC /DEC: ±0
 4 PLC /DEC: ±0
 ANGLES ±~~

DWN /DESSINE ANDRE	12JAN2006
CHK /VERIFIE TISSE	-
APVD /APPROUVE PORCHERAY	-
PRODUCT SPEC SPEC. PRODUIT	-
APPLICATION SPEC SPEC. APPLICATION	-
WEIGHT MASSE APPROX.	54 gr

MATERIAL MATIERE	-
tyco Electronics	
SIMEL 21220 Gevrey-Chambertin, FRANCE	
NAME TITRE	EP 95
SIZE FORMAT	A4
CAGE CODE	00779
DRAWING NO No PLAN	C=1727912-1
RESTRICTED TO RESERVE A	-

CUSTOMER DRAWING /PLAN CLIENT	UNIQUEMENT POUR REFERENCE	SCALE ECHELLE	SHEET FEUILLE	OF DE	REV B
-------------------------------	---------------------------	---------------	---------------	-------	-------