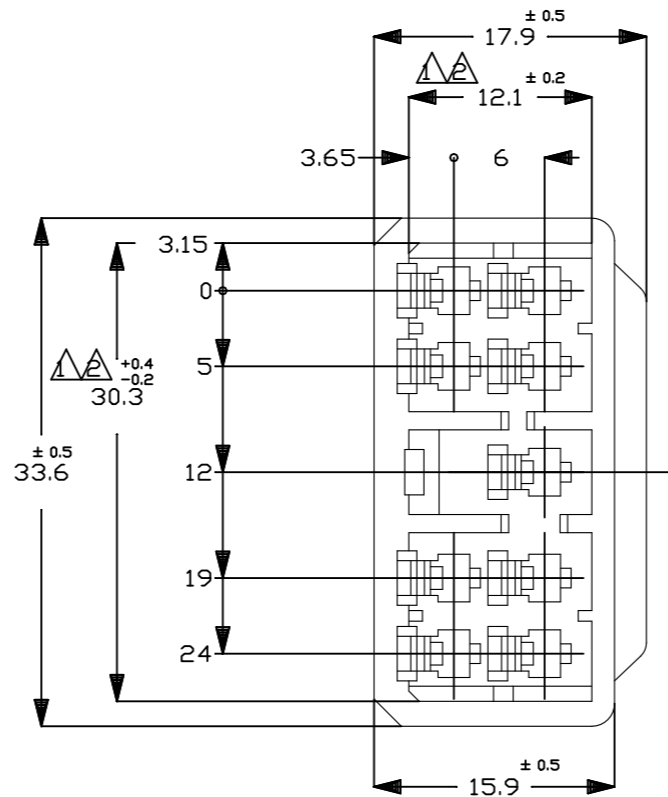
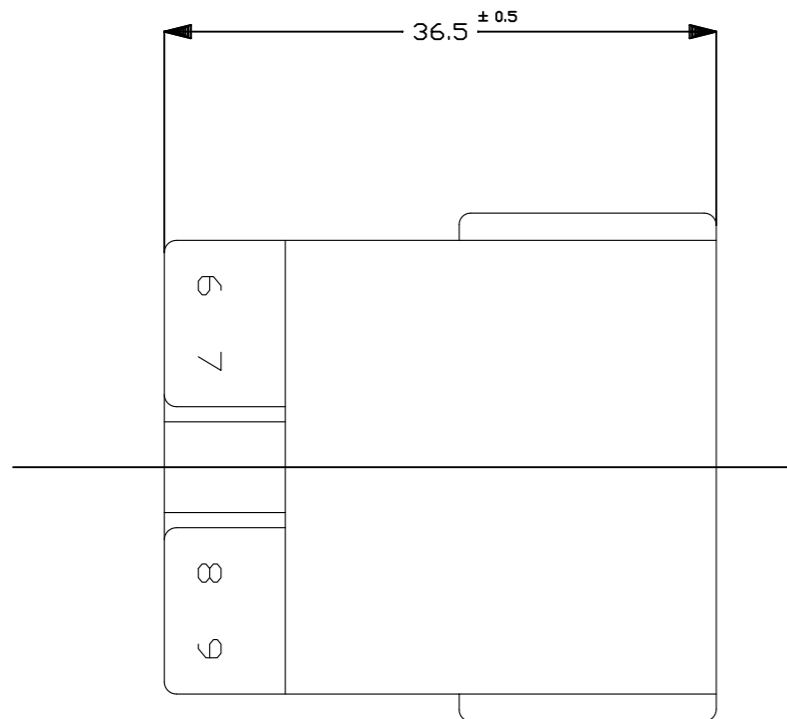


P	LTR	DESCRIPTION	DATE	DWN	APVD
	A1	REVISED PER ECR-23-165252	30JAN2023	RK	MT

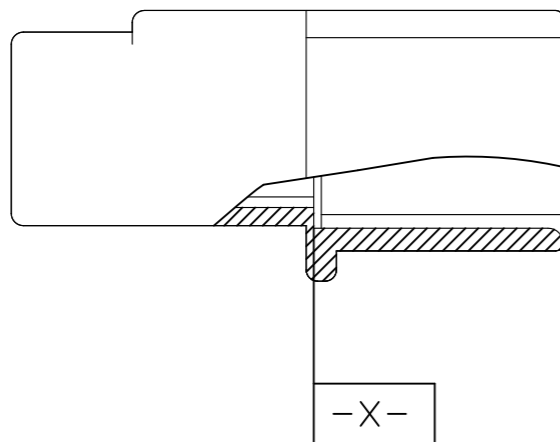


NOTES;

- ① TO BE MEASURED WITH IN 2mm FROM -A-
- ② IN COUPLING WITH THE PLUG HOUSING MATING SATISFIES FUNCTION
- 3 APPLIED CONTACT P/N 172777,172779
- 4 PRODUCT SPEC No. 108-5166
- 5 IN COUPLING WITH THE PLUG HOUSING MATING FORCE 29.4N(3Kgf)MAX. WITHOUT REC CONTACT

注；

- ① -A- 面より2mmの範囲で測定
- ② 相手ハウジングと所定の機能を満たして嵌合できること
- 3 内装するタブコンタクト型番172777,172779他
- 4 製品規格 NO.108-5166
- 5 相手ハウジングとの嵌合力は29.4N(3Kgf)以下
但しタブコンタクトは含まない



OBSOLETE	172506-7	黄<YELLOW>
OBSOLETE	172506-6	灰<GRAY>
OBSOLETE	172506-4	緑<GREEN>
OBSOLETE	172506-3	茶<BROWN>
	172506-2	黒<BLACK>
	172506-1	自然色<NATURAL>
	番号(PN)	色(COLOR)

一般公差
(GENERAL TOLERANCE)
10以下: ±0.2
10を超え 30以下: ±0.25
30を超え100以下: ±0.3
角度 ±3°

THIS DRAWING IS A CONTROLLED DOCUMENT.

DIMENSIONS: mm	TOLERANCES UNLESS OTHERWISE SPECIFIED:
	0 PLC ± -
	1 PLC ± -
	2 PLC ± -
	3 PLC ± -
	4 PLC ± -
ANGLES	± -
MATERIAL	FINISH
(NYLON)	-

DWN	K.YUASA	10/12'92
CHK	A.TOMITA	10/12'92
APVD	A.TOMITA	10/12'92
PRODUCT SPEC	-	-
APPLICATION SPEC	-	-
WEIGHT	-	-



9 Pos. CAP HOUSING
MULTI-INTERLOCK CONN. (MIC-MKII)

SIZE	CAGE CODE	DRAWING NO	RESTRICTED TO
A3	00779	C-172506	-
CUSTOMER DRAWING		SCALE 2:1	SHEET 1 OF 1 REV A1