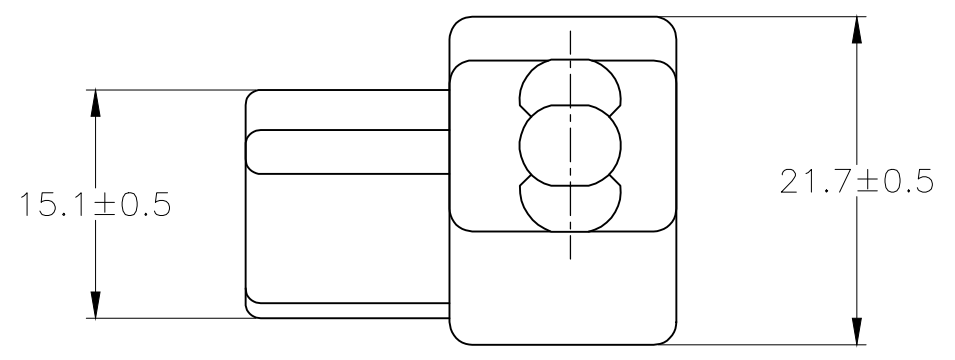
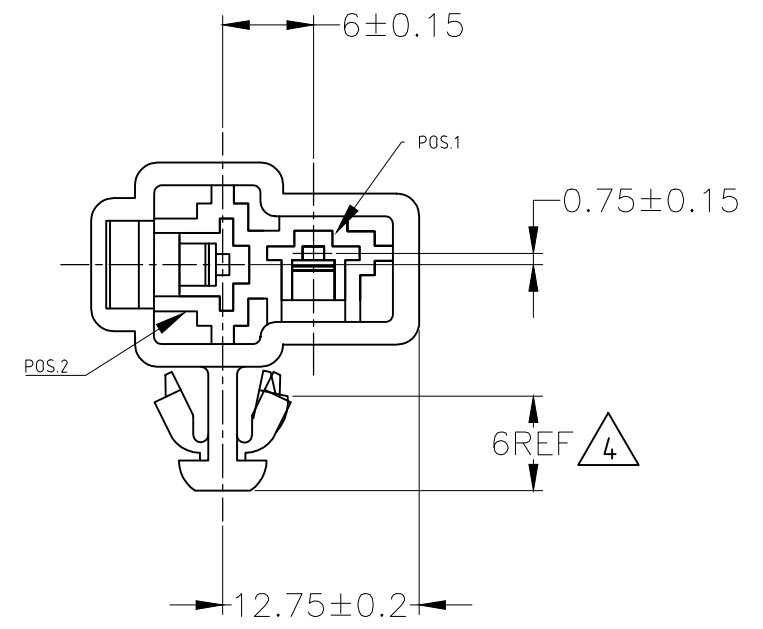
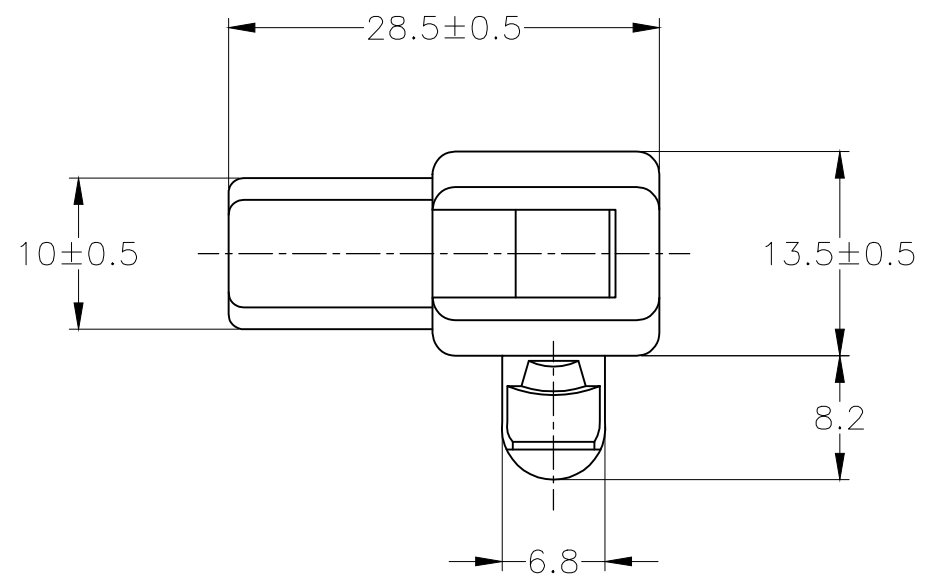


THIS DRAWING IS UNPUBLISHED. RELEASED FOR PUBLICATION  
 © COPYRIGHT BY TYCO ELECTRONICS CORPORATION. ALL RIGHTS RESERVED.

LOC	DIST	REVISIONS					
J	—	P	LTR	DESCRIPTION	DATE	DWN	APVD
			C3	REVISED PER ECR-20-005366	21APR2020	SS	DL



1. 嵌合する相手ハウジングは型番172130
2. 使用端子は型番170340, 170341, 170349
3. 適用パネル穴径7.0mm 板厚0.65~1.2mm
- △4 パネルに取付けた時のパネル内側に必要スペース
5. 適用製品規格番号; 108-5153

1. THE MATING COUNTERPART NUMBER 172130
2. APPLIED CONTACT; PN 170340, 170341, 170349
3. APPLICABLE PANEL; HOLD DIMENSION 7.0mm; THICKNESS 0.65~1.2mm
- △4 A SPACING REQUIRED INSIDE OF THE PANEL FOR MOUNTING PANEL
5. APPLICABLE PRODUCT SPEC NO. 108-5153
- △6 OBSOLETE PARTS

△6	淡灰 LIGHT GRAY	—6-172383-6—
	桃 PINK	1-172383-0
△6	赤 RED	—172383-9—
△6	灰 GRAY	—172383-6—
	青 BLUE	172383-5
△6	茶 BROWN	—172383-3—
	黒 BLACK	172383-2
	自然色 NATURAL	172383-1
	色 COLOR	型番 PART NUMBER

TOLERANCE UNLESS OTHERWISE SPECIFIED: 一般公差

0 < x ≤ 10	: ±0.2
10 < x ≤ 30	: ±0.25
30 < x ≤ 100	: ±0.3
ANGLE ; 角度	: ±3°

THIS DRAWING IS A CONTROLLED DOCUMENT.

DWN	T.SHINOHARA	21OCT03
CHK	K.BETSUI	21OCT03
APVD	K.BETSUI	21OCT03
PRODUCT SPEC	製品規格	SEE NOTE 5
APPLICATION SPEC	取付適用規格	—
WEIGHT	—	—

MATERIAL 6/6 ナイロン 6/6 NYLON

FINISH 色 ; 表参照 COLOR; SEE TABLE

NAME 250 SERIES HOUSING LANCE CONNECTOR 2POSITION CAP HOUSING PANEL MOUNT TYPE

SIZE A3 CAGE CODE 00779 DRAWING NO. 172383 RESTRICTED TO —

CUSTOMER DRAWING SCALE 2:1 SHEET 1 OF 1 REV C3

