

THIS DRAWING IS UNPUBLISHED. RELEASED FOR PUBLICATION JUN , 1998.

© COPYRIGHT 1998 By Tyco Electronics Japan G.K.

ALL RIGHTS RESERVED.

LOC	DIST	REVISIONS					
		P	LTR	DESCRIPTION	DATE	DWN	APVD
J	—		F	REVISED PER ECR-23-177478	08AUG2023	SM	JP

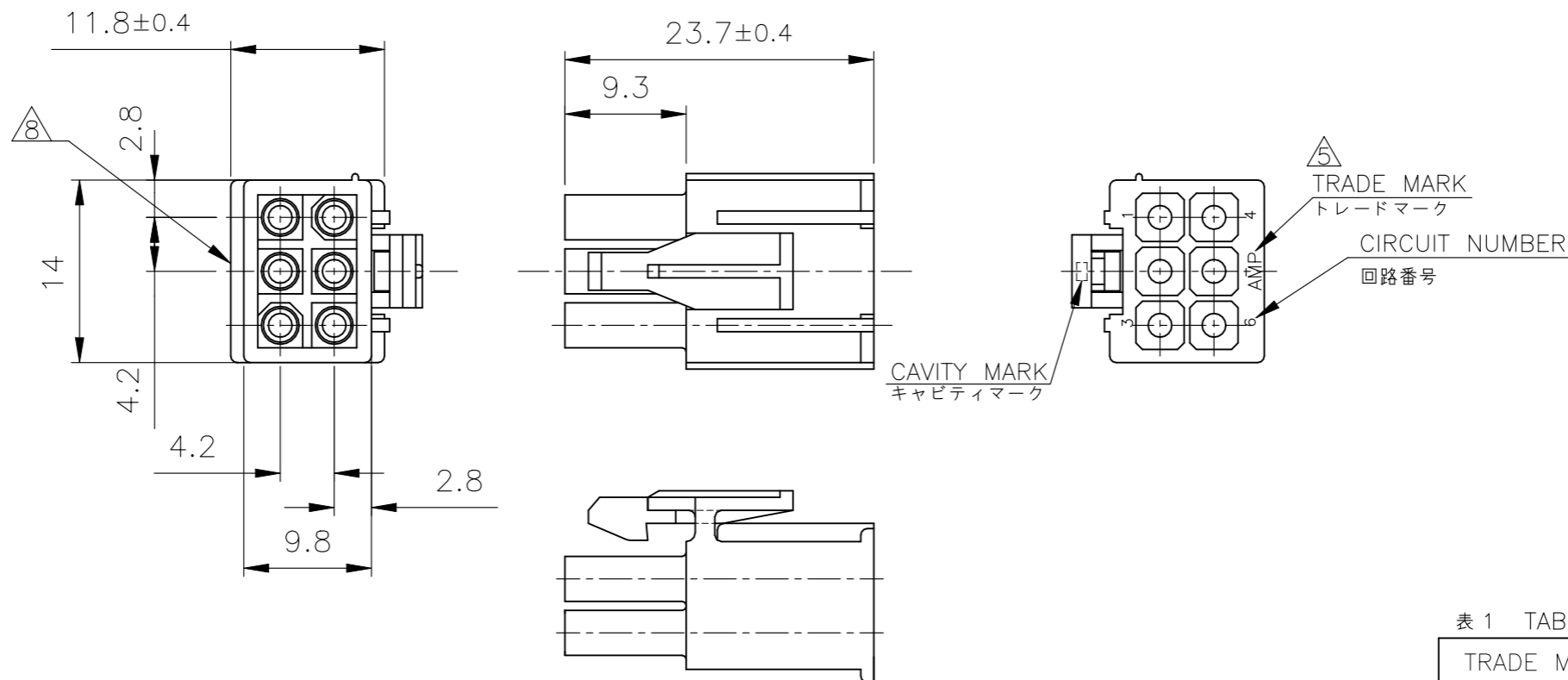


表 1 TABLE 1

TRADE MARK	MANUFACTURING PLACE
-AMP OR AMP	JAPAN
-+AMP OR AMP	CHINA (PRC)

NOTE)

1. APPLIED CONTACT P/N:170359,170360,170361,170362
2. MATING CONN. :CAP HOUSING P/N:172160
3. INSTRUCTION SHEET :IS-105J
4. PRODUCT SPEC :108-5138

⑤ SEE TABLE 1

⑥ OBSOLETE PARTS: OBSOLETE CIS STREAMLINING PER D.RENAUD/D.SINISI

⑧ PRELIMINARY PART NOT RELEASED FOR PRODUCTION.  
⑧ UNDERWRITERS RECOGNIZED COMPONENT LOGO AND CSA CERTIFICATION LOGO TO BE LOCATED AS SHOWN

注記)

1. 使用端子親型番は 170359,170360,170361,170362
2. 嵌合相手キャップハウジング型番はロ-172160-ロ
3. 取扱説明書 :IS-105J
4. 製品規格:108-5138

⑤ 表 1 参照

⑥ OBSOLETE PARTS: OBSOLETE CIS STREAMLINING PER D.RENAUD/D.SINISI

⑦	自然色 (NATURAL)	2-172168-1
⑧	黒色 (BLACK)	1-172168-9
⑥	(BLUE)	<del>1-172168-6</del>
	(GREEN)	<del>1-172168-5</del>
⑧	赤色 (RED)	1-172168-2
⑧	自然色 (NATURAL)	172168-1
	色 (COLOR)	製品型番 (PART NO.)

THIS DRAWING IS A CONTROLLED DOCUMENT.		DWN	N.YAMASAKI	15JUN1998	 TE Connectivity											
DIMENSIONS: 単位: 耗 mm		CHK	M.SHINDO	15JUN1998												
TOLERANCES UNLESS OTHERWISE SPECIFIED: 一般公差		APVD	M.SHINDO	15JUN1998												
<table border="1"> <tr><td>0 PLC</td><td>± 0.3</td></tr> <tr><td>1 PLC</td><td>± 0.3</td></tr> <tr><td>2 PLC</td><td>± 0.3</td></tr> <tr><td>3 PLC</td><td>± 0.3</td></tr> <tr><td>4 PLC</td><td>± 0.3</td></tr> <tr><td>ANGLES</td><td>± 1°</td></tr> </table>		0 PLC	± 0.3	1 PLC		± 0.3	2 PLC	± 0.3	3 PLC	± 0.3	4 PLC	± 0.3	ANGLES	± 1°	NAME	MINI UNIVERSAL MATE-N-LOK PLUG HOUSING 6POS. UL94V-0
0 PLC	± 0.3															
1 PLC	± 0.3															
2 PLC	± 0.3															
3 PLC	± 0.3															
4 PLC	± 0.3															
ANGLES	± 1°															
MATERIAL 材料 PA66/6 (UL94V-0)		FINISH 仕上	製品規格 108-5138 APPLICATION SPEC 取付適用規格 WEIGHT 6極ミニ・ユニバーサル メイテンロック コネクタ プラグハウジング													
		CUSTOMER DRAWING	SIZE	A3	CAGE CODE	00779	DRAWING NO	172168	RESTRICTED TO	—						
			SCALE	2:1	SHEET	1 OF 1	REV	F								