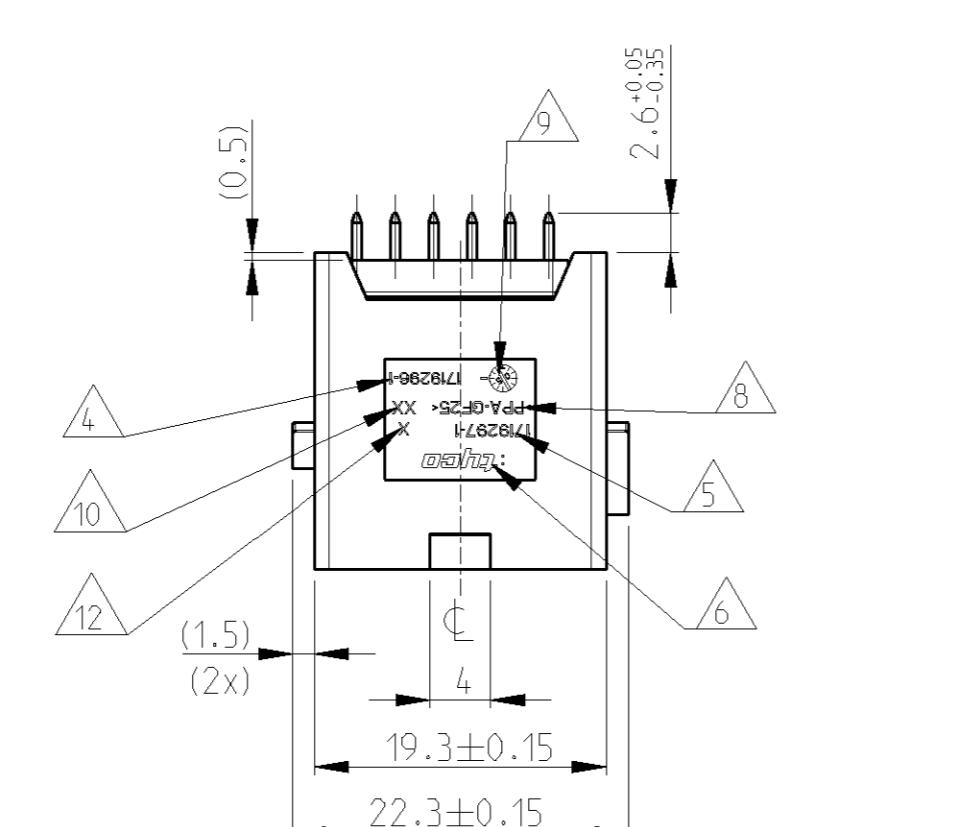
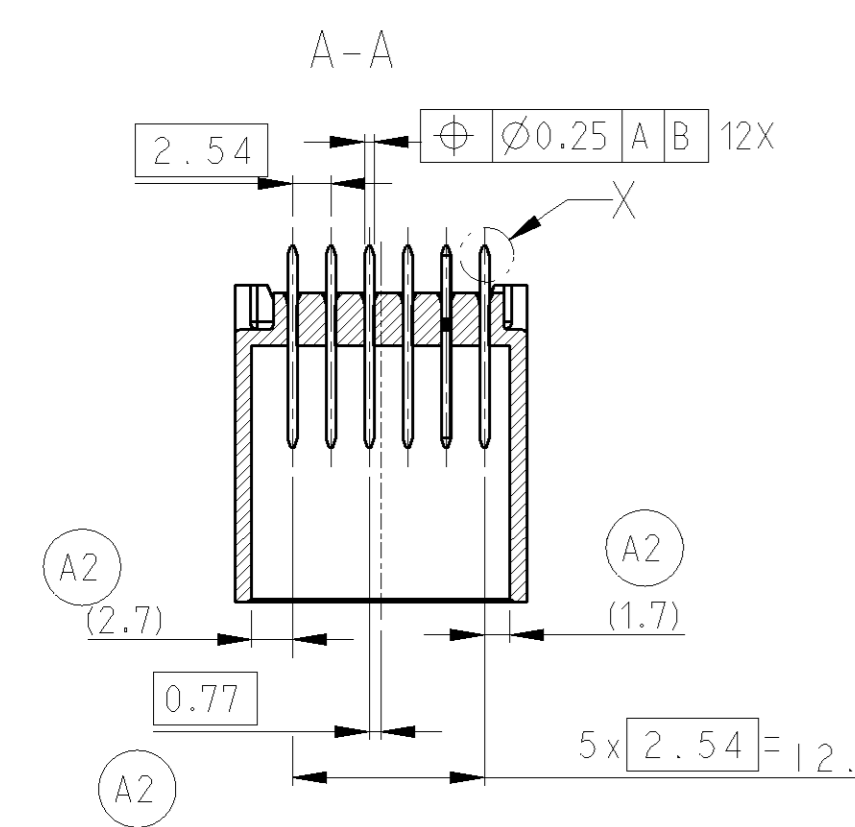
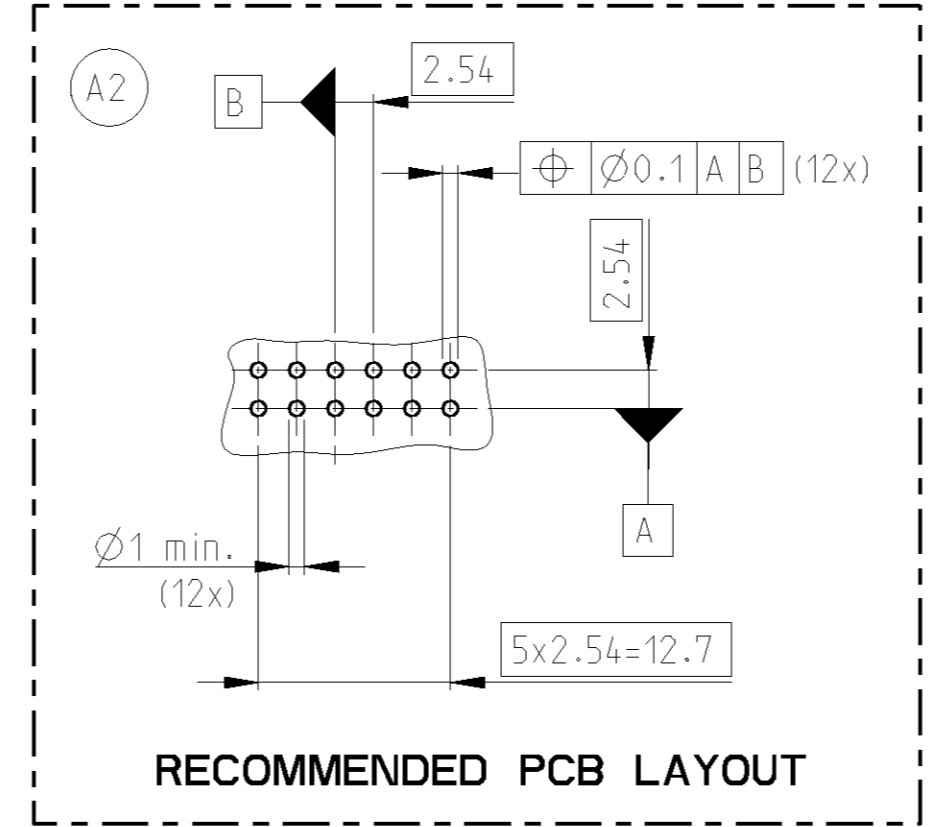
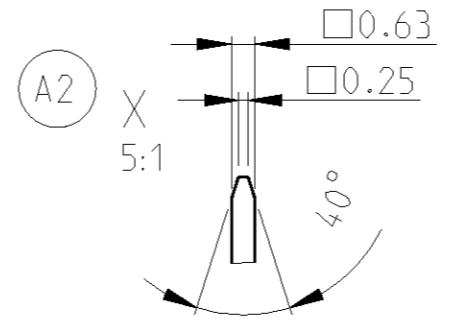
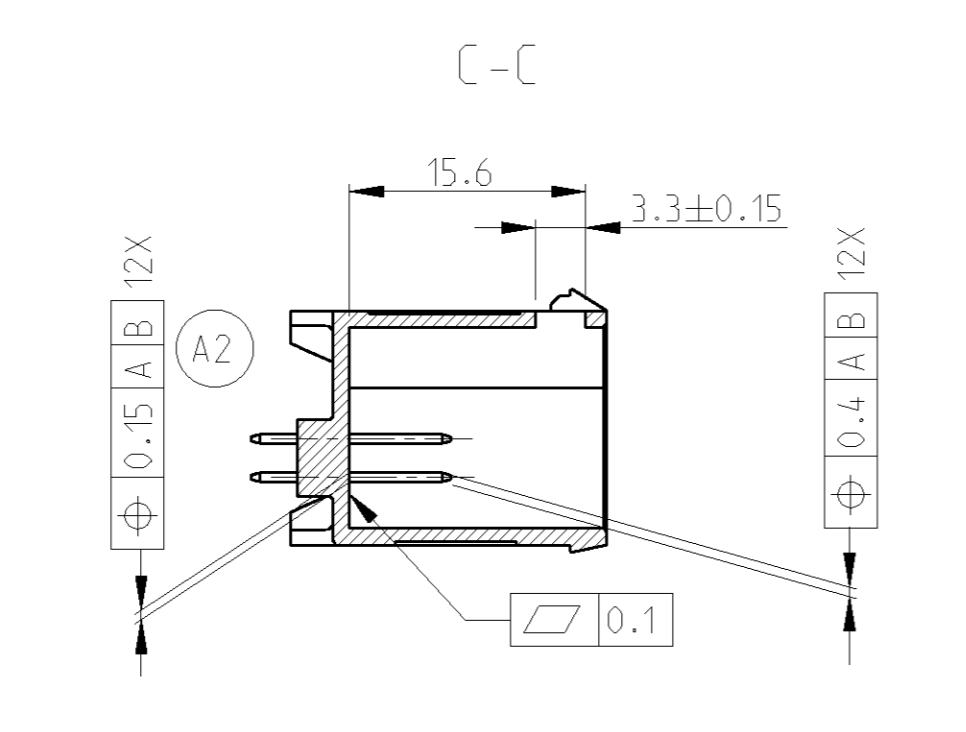
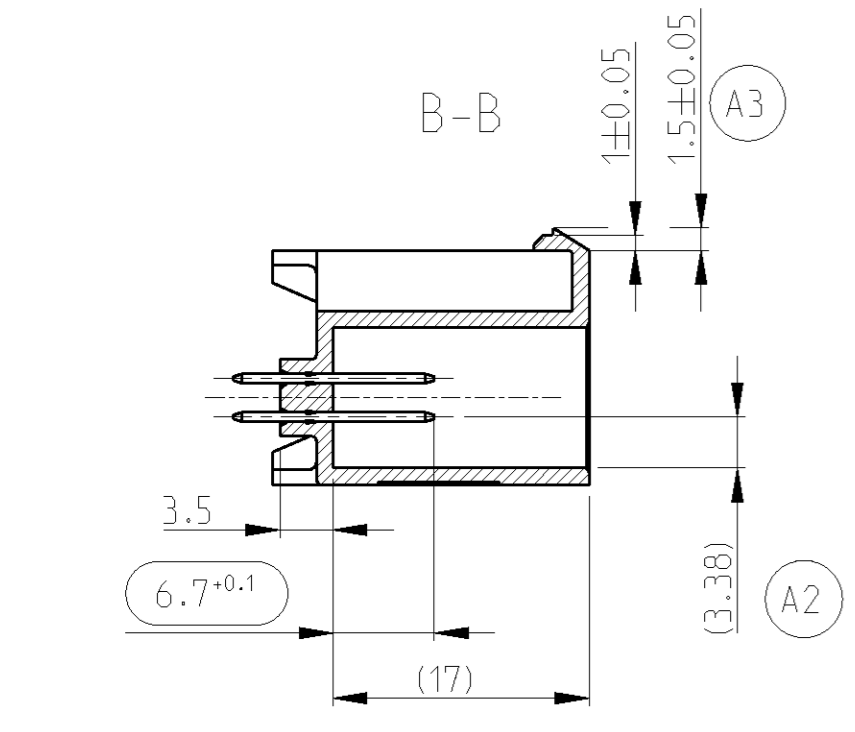
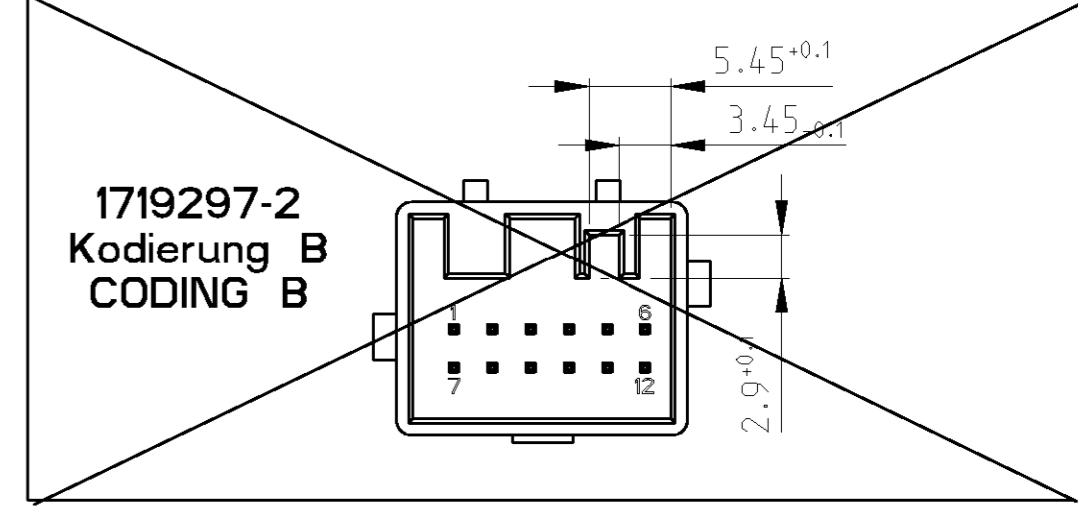
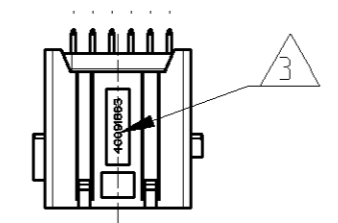
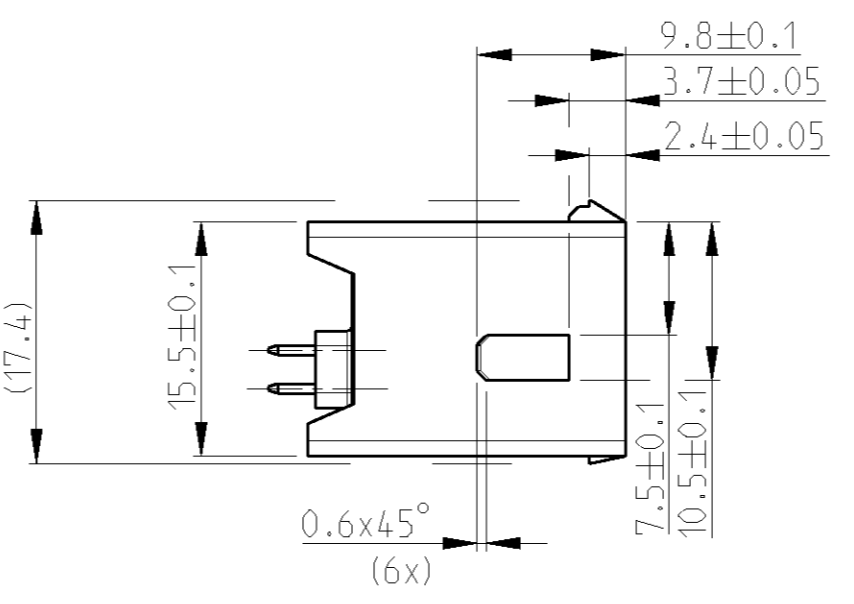
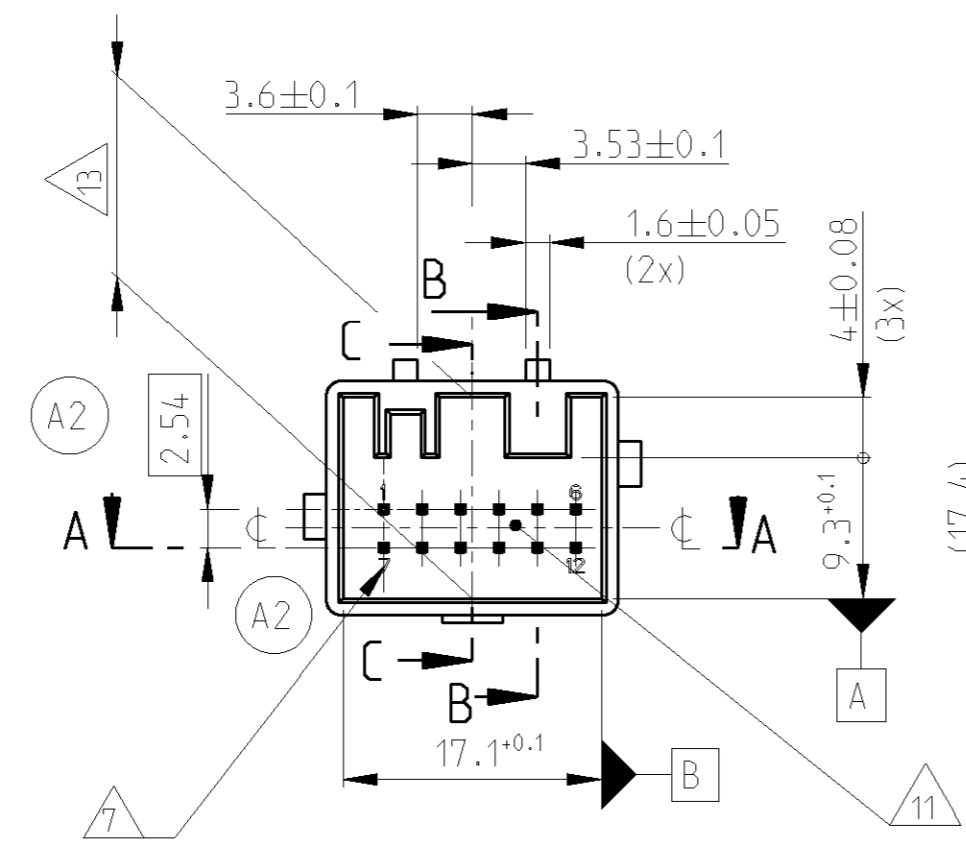
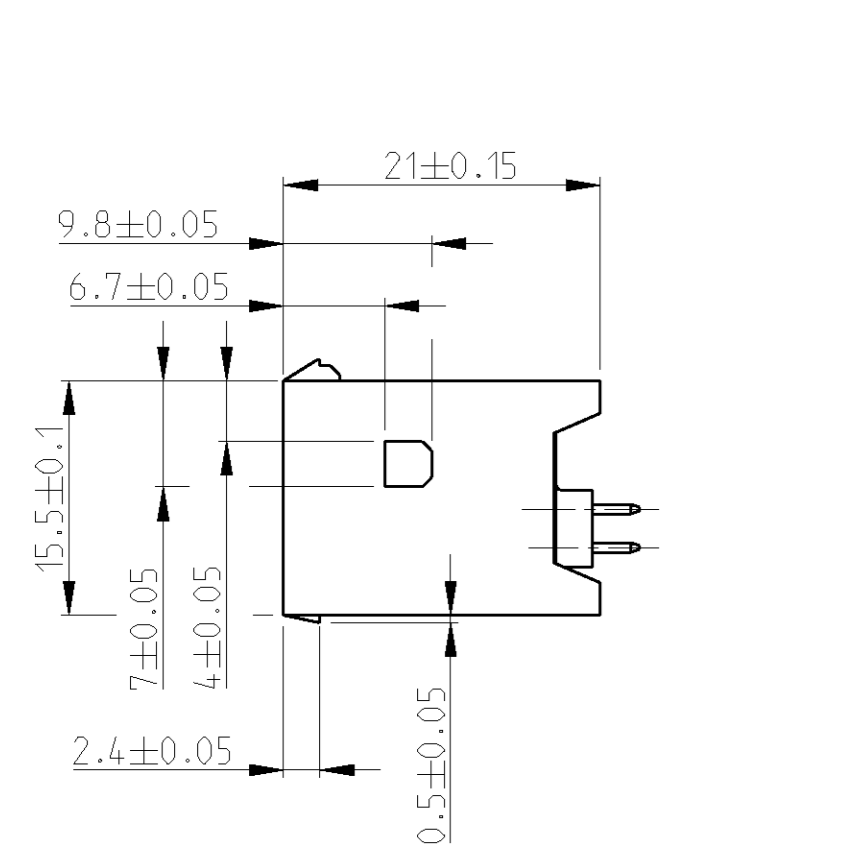
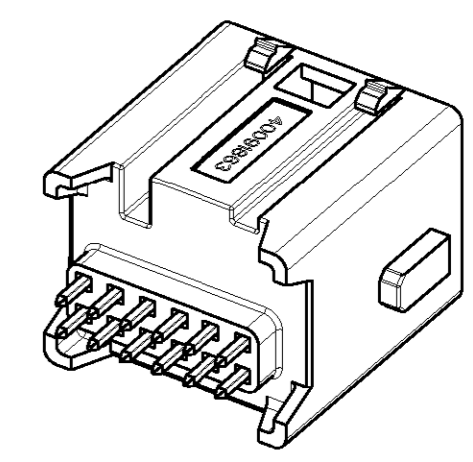


REVISIONS					
P	LTR	DESCRIPTION	DATE	DWN	APVD
A2		Layout, Dimensions	28SEP2005	AK	AK
A3		ECR-06-019142	08AUG2006	AL	BF
A4		ECR-07-001510	26JAN07	AL	BF



Bemerkungen
NOTES

- 1 Massgebend ist der deutsche Text
ONLY THE GERMAN-LANGUAGE VERSION SHALL BE BINDING
- 2 Mittelschrift nach DIN 1451, erhaben 0.15, Feld vertieft 0.2
CHARACTERS ACCORDING TO DIN 1451, RAISED 0.15, FIELD SUNK 0.2
- 3 Kundenteile Nr.
CUSTOMER PART NO.
- 4 Tyco-Teile Nr.
TYCO-PART NO.
- 5 Tyco-Assy Nr.
TYCO-ASS'Y NO.
- 6 Tyco-Logo
TYCO-LOGO
- 7 Kammerbezeichnung
CAVITY IDENTIFICATION
- 8 Materialkennzeichnung
MATERIAL IDENTIFICATION
- 9 Produktions-Datum
PRODUCTION-DATE
- 10 Nestmarkierung
CAVITY MARKING
- 11 Tyco Schnittstelle C-114-18715 Rev. A2
TYCO CONNECTOR INTERFACE ACC. C-114-18715 REV. A2
- 12 Werkstoffkennzeichnung
REVISIONS-NUMBER
- 13 Verzug zulässig bis max.0.4
WARPAGE PERMITTED TO MAX. 0.4
- 14 Nicht bemaßte Radien R0.2
ALL RADII R0.2 EXCEPT AS NOTED
- 15 Verpackung in Karton
PACKAGING IN CARDBOARD BOX
- 16 Passend zu Buchsenkontakt siehe Zeichnung: C-1355080
SUITABLE FOR SOCKET CONTACT SEE DRAWING: C-1355080



CUSTOMER Nr.	ASSY. Nr.	REV.	COD.	QTY RECD PER ASSY	FINISH	MATERIAL	REV.	DESCRIPTION	ITEM NO
-	1719297-2	A	B	12	TINNED	CuMg0.1	A	CONTACT	2
-	1719297-2	A	B	1	BLACK	PPA-GF25	A	HOUSING	1
40091863	1719297-1	A	A	12	TINNED 1 TO 3 µm TIN OVER 1.3 TO 2.2 µm NICKEL	CuMg0.1	A	CONTACT	2
-	-	-	-	1	BLACK	PPA-GF25	A	HOUSING	1
-	-	-	-	-	FINISH	MATERIAL	REV.	DESCRIPTION	ITEM NO

-1 AS SHOWN
wie gezeichnet

DIMENSIONS: mm		TOLERANCES UNLESS OTHERWISE SPECIFIED: 1 PLC ±0.15 2 PLC ±0.1 3 PLC ±0.05 4 PLC ±0.025 5 UNLESS OTHERWISE SPECIFIED		ACC TO DIN 1580/140 CENTRIC TO NOMINAL DIM		DWN PRASHANT R K 13SEP2005 CHK Koperly 20SEP2005 APVD - PRODUCT SPEC - APPLICATION SPEC - WEIGHT - CUSTOMER DRAWING		tyco Electronics AMP GmbH D- 64625 Bensheim NAME 12POS.MODU II CP.HEADER SIZE A2 CAGE CODE 00779 DRAWING NO C-1719297 RESTRICTED TO - SCALE 2:1 SHEET 1 OF 1 REV A4	
-------------------	--	--	--	---	--	---	--	--	--