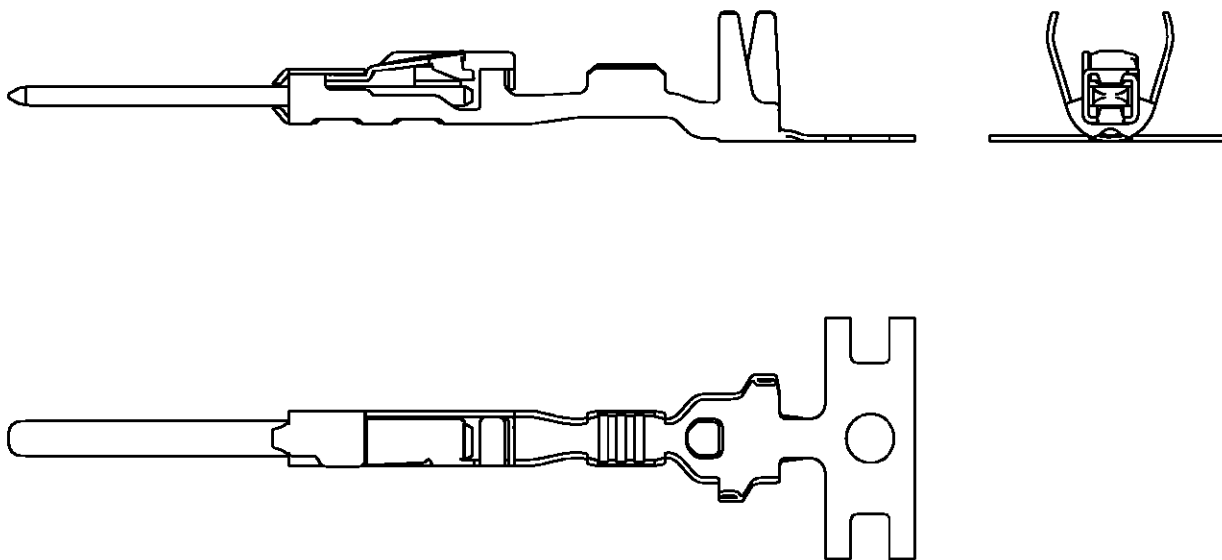


LOC	DIST	REVISIONS					
		P	LTR	DESCRIPTION	DATE	DWN	APVD
A1	-		A1	NEW DRAWING	23MAR07	R.M.	-



REFER TO PRODUCT GROUP DRAWING 1418754
FOR LATEST INFORMATION ON THE PART


Für aktuelle Information zum Teil wird auf die
Produkt - Gruppenzeichnung 1418754 hingewiesen

2001

RELEASED FOR PUBLICATION

THIS DRAWING IS UNPUBLISHED.

© COPYRIGHT 2001 BY TYCO ELECTRONICS CORPORATION. ALL RIGHTS RESERVED.

DIMENSIONS: mm	DWN	R. Liebing	23MAR07	MATERIAL	-	FINISH	-
	CHK	R. Meier	23MAR07	 tyco Electronics AMP GmbH D - 64625 Bensheim			
TOLERANCES UNLESS OTHERWISE SPECIFIED:	APVD	-					
0 PLC ±	PRODUCT SPEC	-		NAME TAB CONTACT 1.2MM Flachstecker 1.2mm			
1 PLC ±	APPLICATION SPEC	-					
2 PLC ±	WEIGHT	-		SIZE	A 4	CAGE CODE	00779
3 PLC ±				DRAWING NO	C=1718758		RESTRICTED TO
4 PLC ±				CUSTOMER DRAWING			SCALE
ANGLES ±							4:1
							SHEET
							1
							OF
							1
							REV
							A1