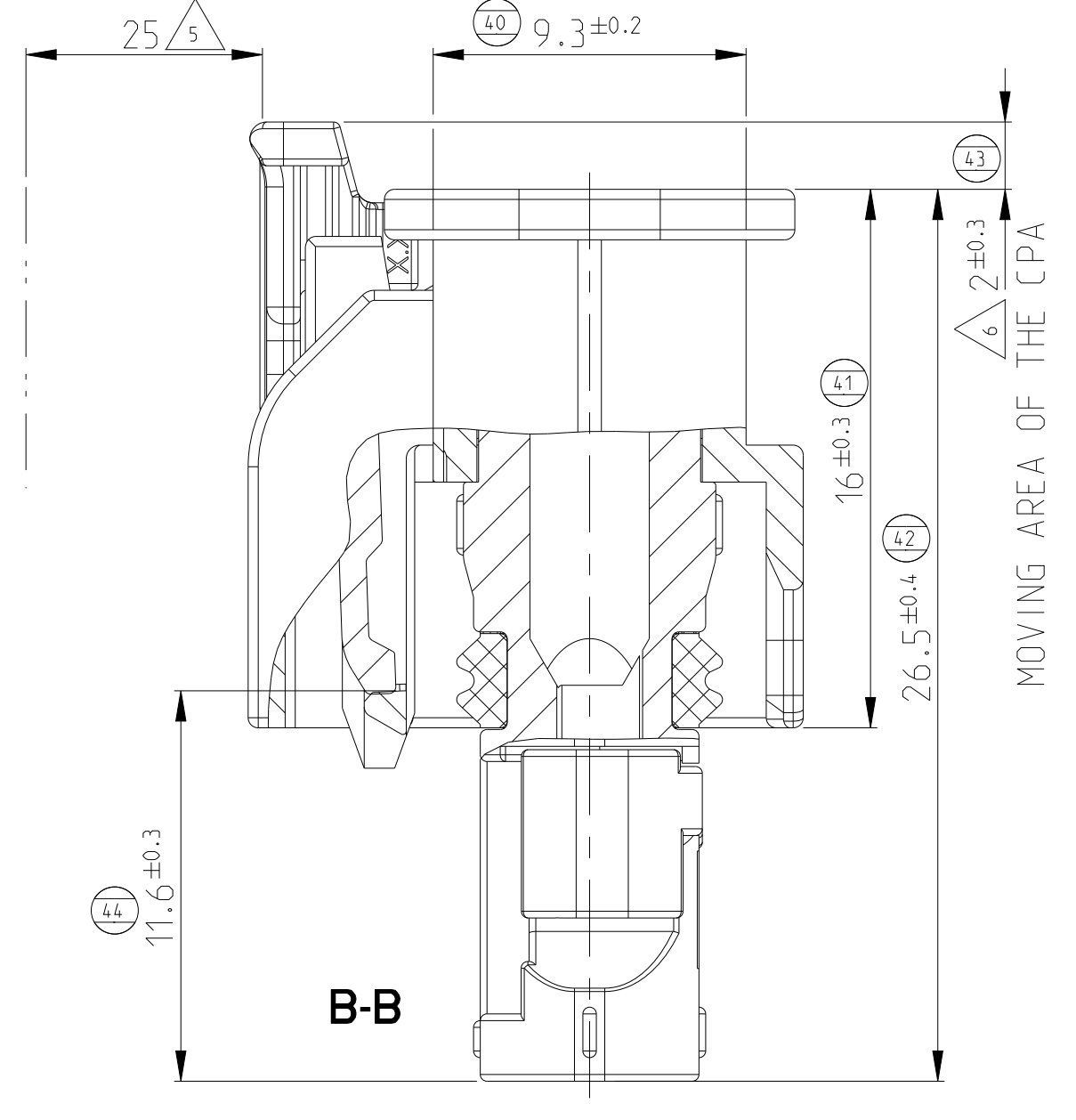
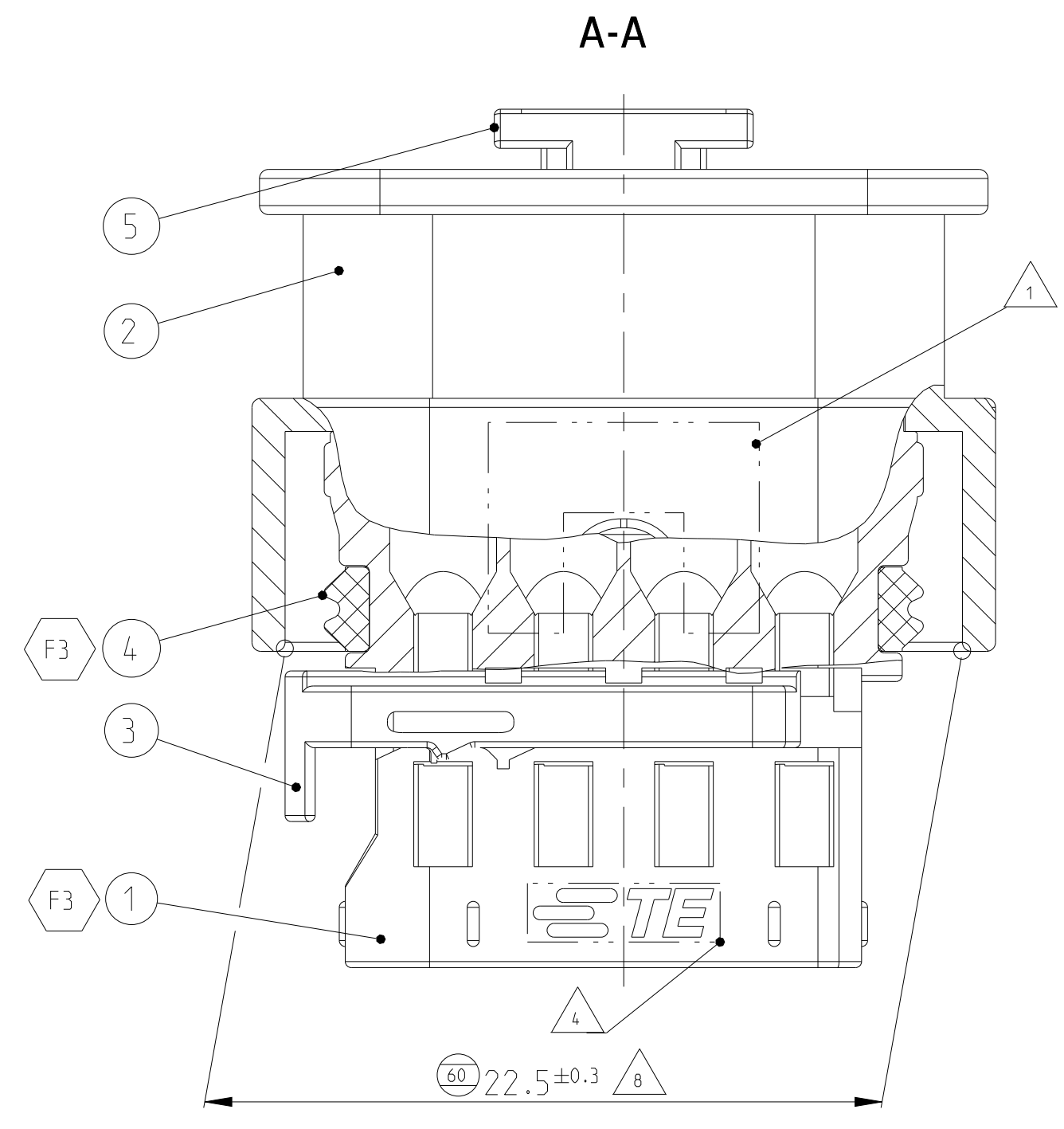
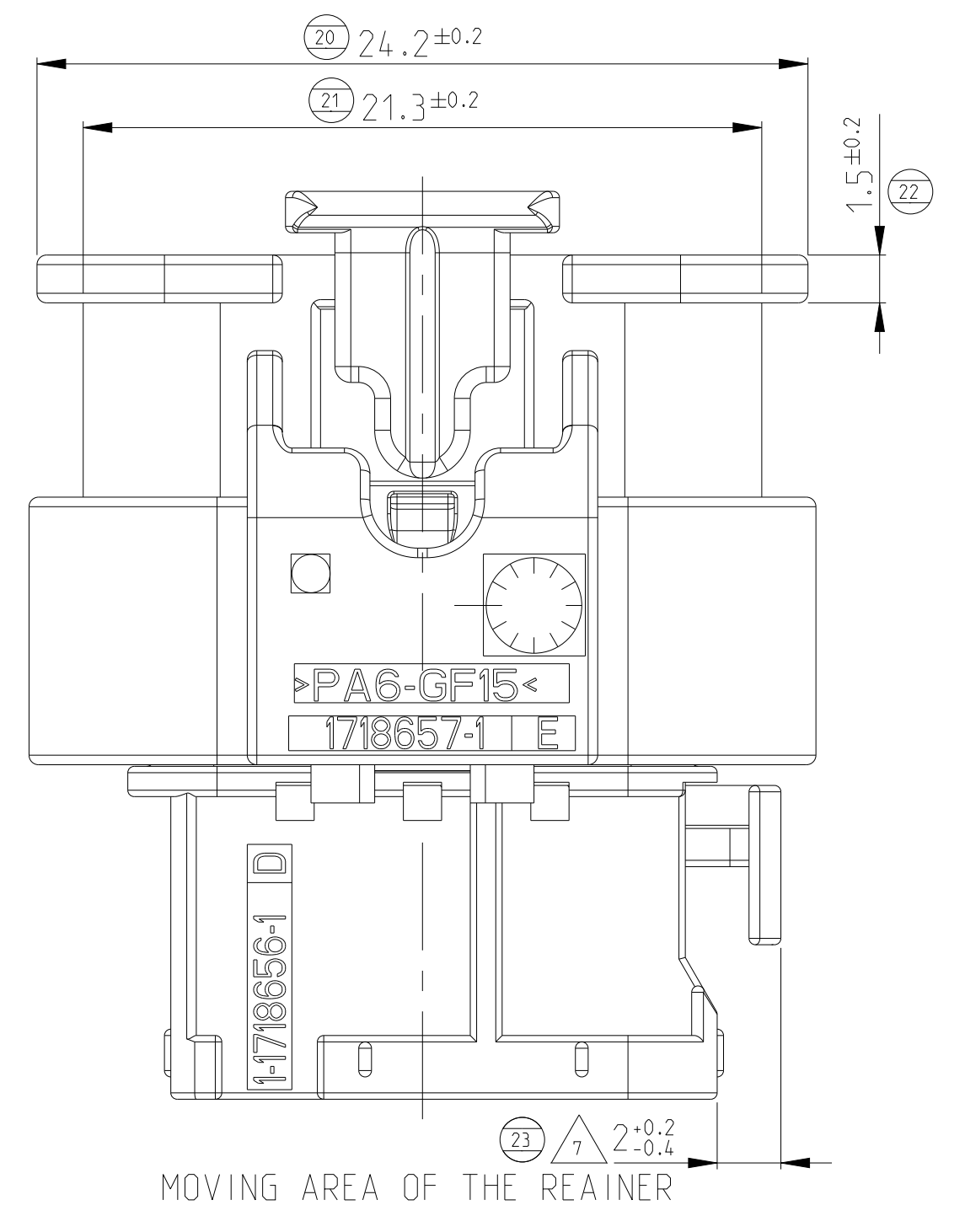
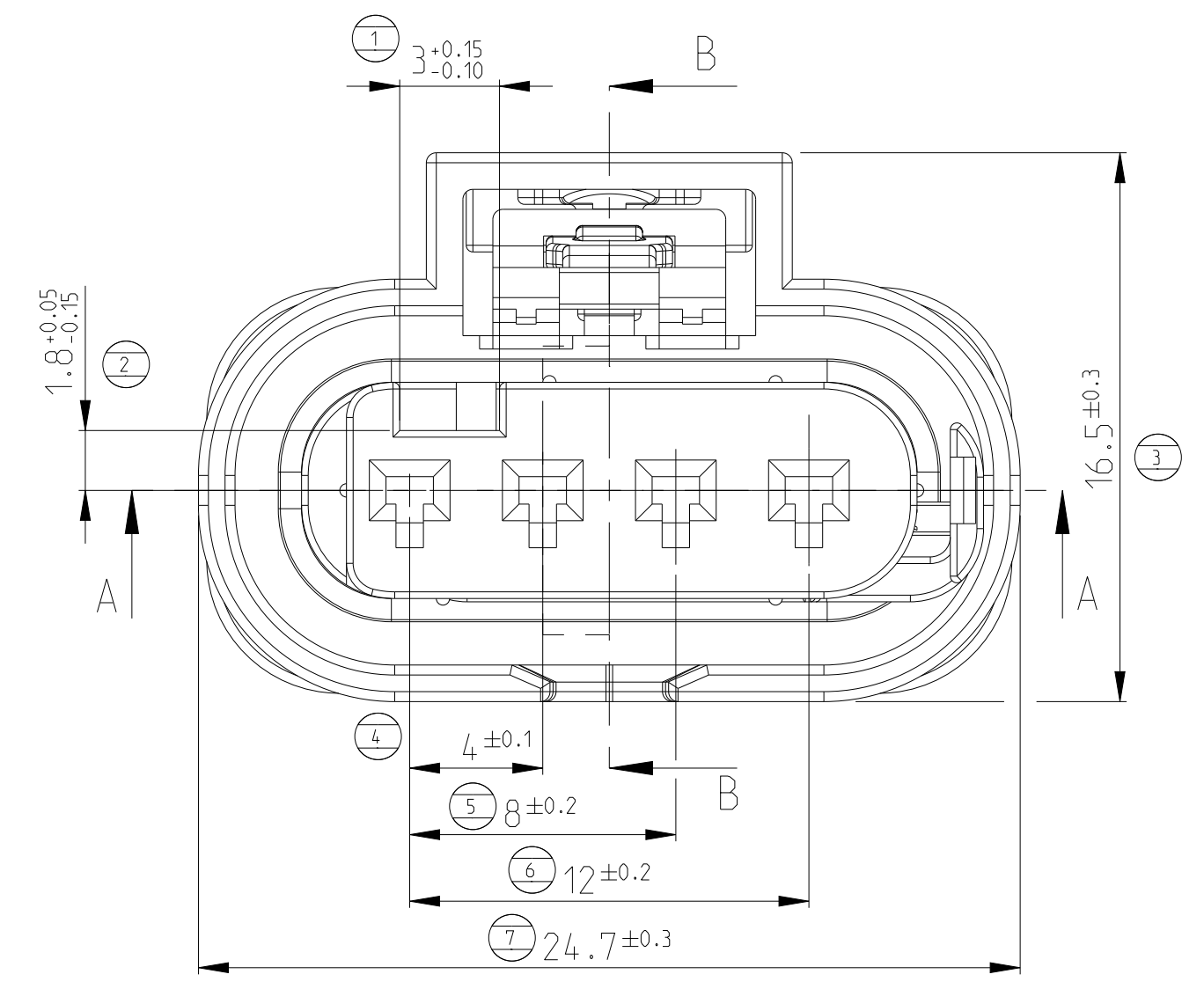
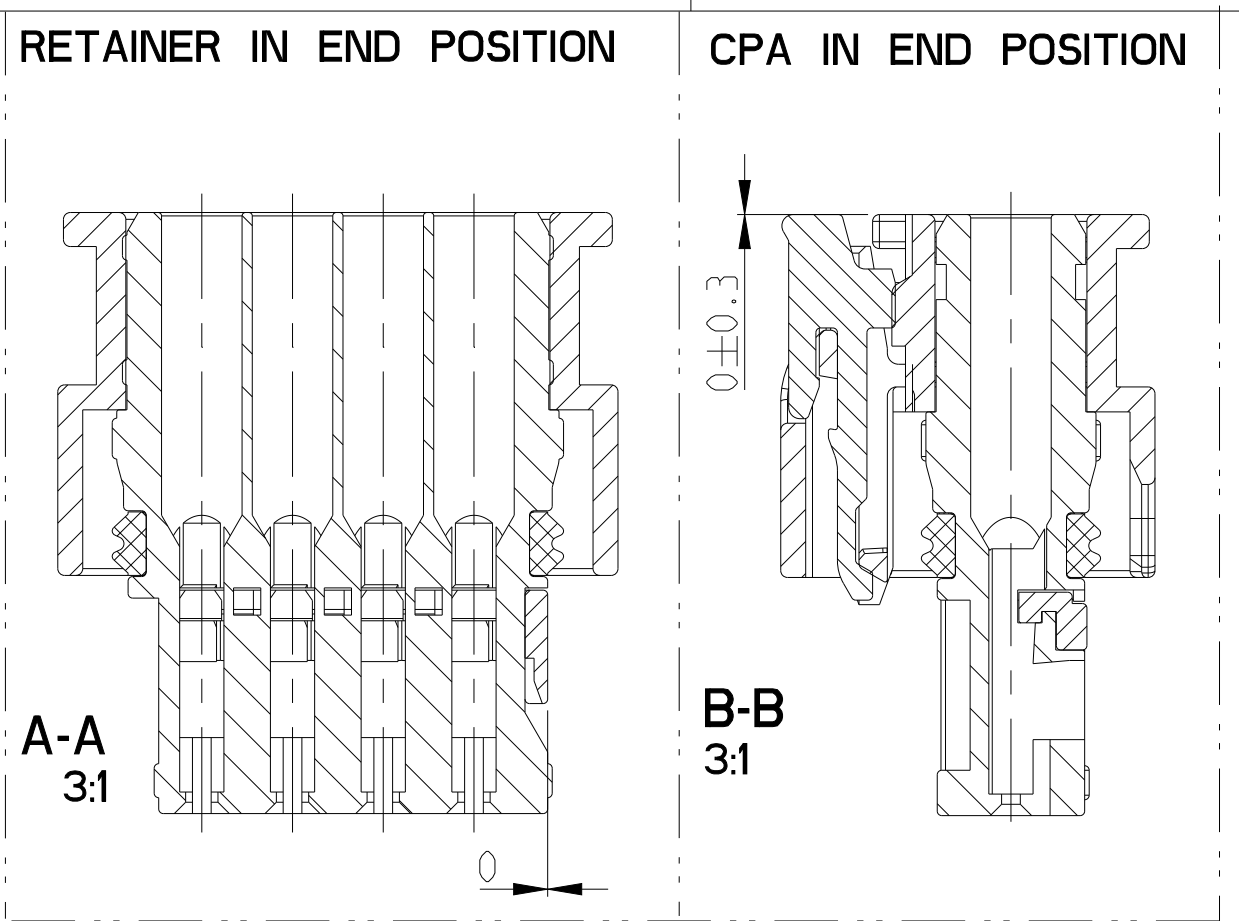
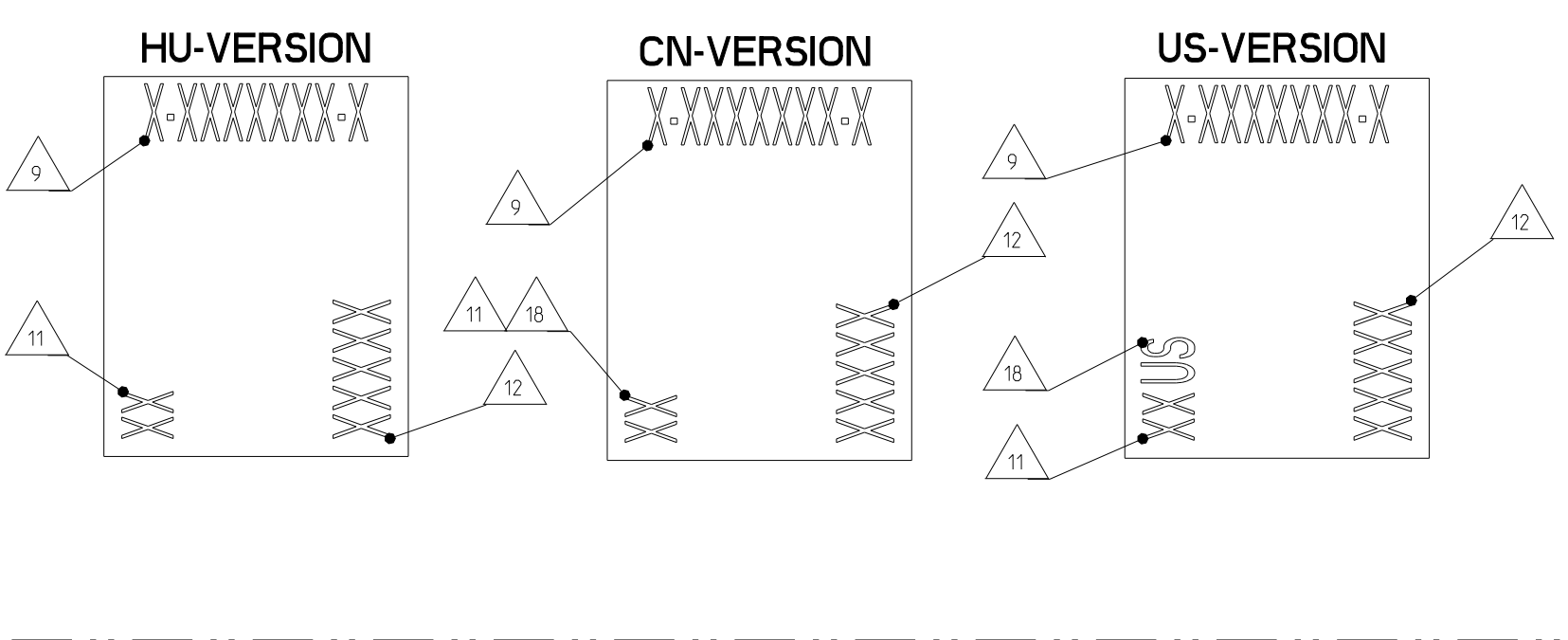
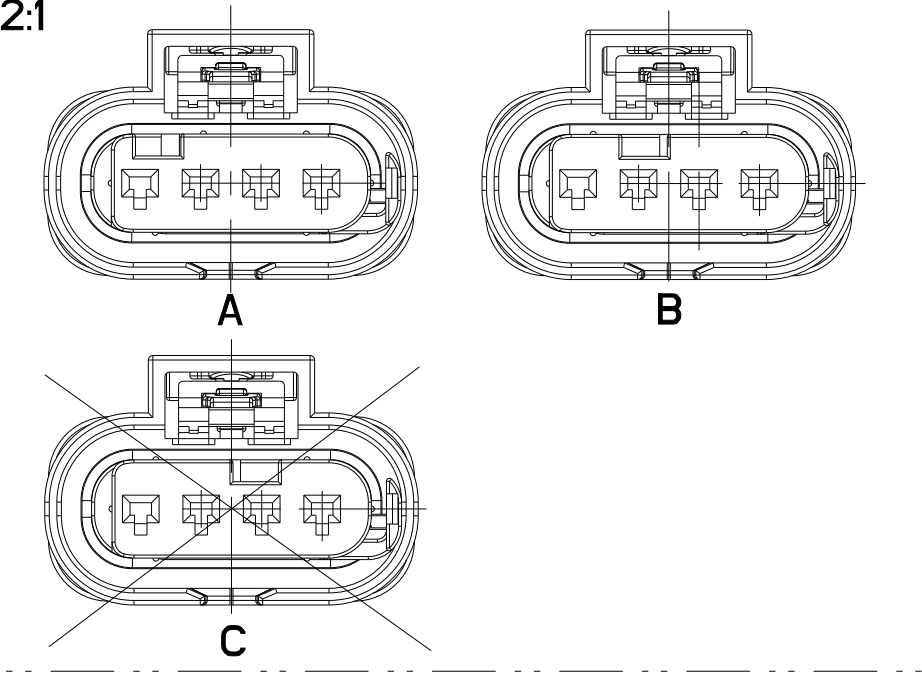


PRINT: 5:1



REVISIONS				
P	LTN	DESCRIPTION	DATE	OWN APVD
		GLOBAL VERSIONS ADDED		
F2	2-1718645-1	Seal and Rec. Hsg. design impr.	08JUL2021	SZN LSZ
F3	1-1718645-1	Seal and Rec. Hsg. design impr.	13OCT2021	SZN SZL
F4	CN VERSION ADDED		18JAN2024	SZN LSZ

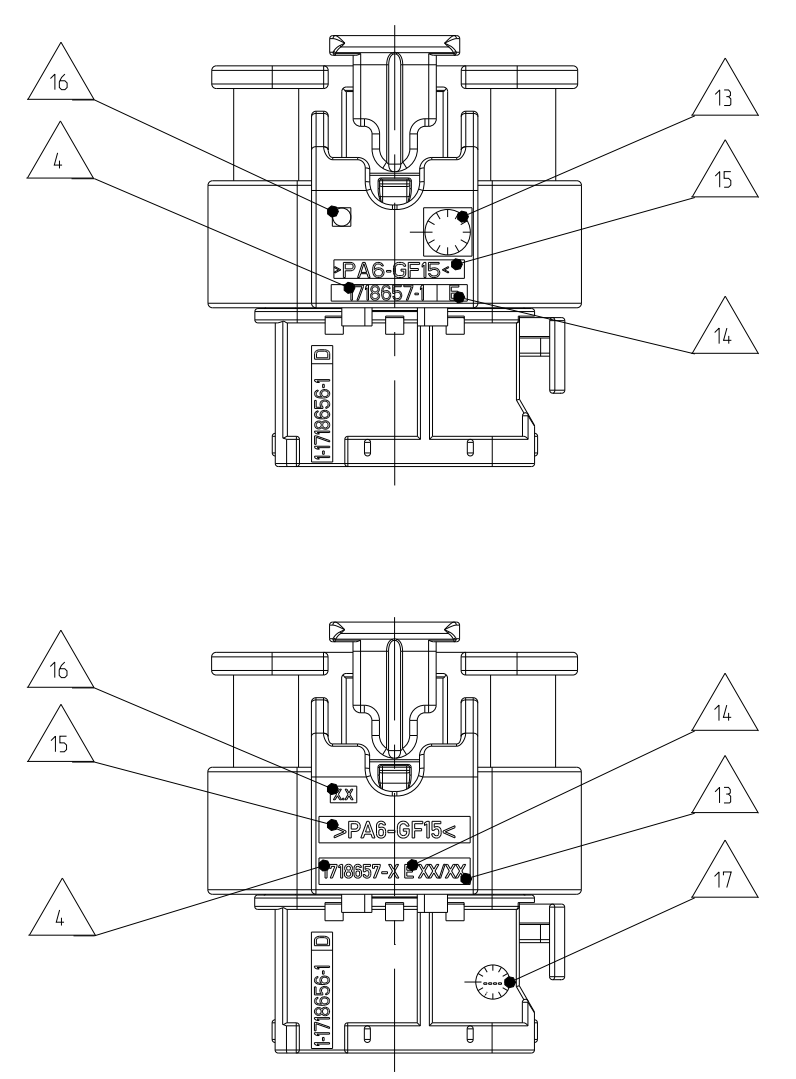
CODINGS M 2:1



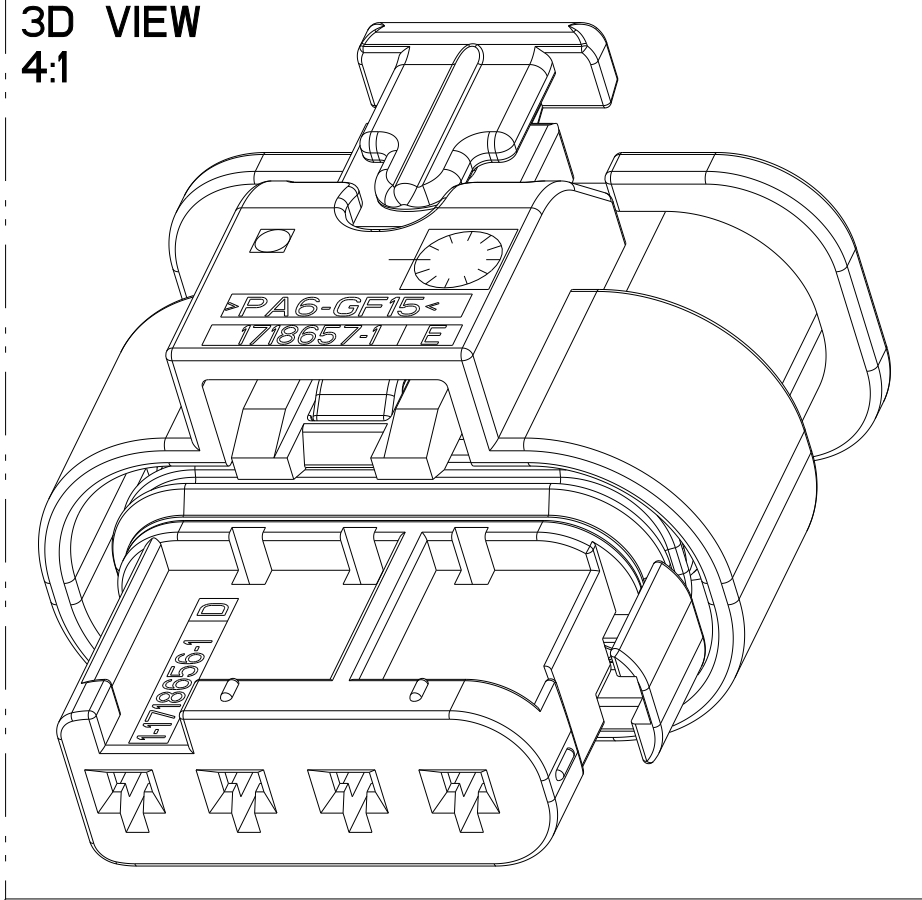
- 1 AREA FOR PRINT
- 2 USABLE CONTACTS MCON 1.2 LL SEE TE-NO. 1452674, SINGLE WIRE SYSTEM
- 3 MAX. WIRE SIZE RANGE 1.5 mm² FLR PERMITTED FOR CAVITY-Ø 3.55MM SEE WIRE HARNESS DRAWING FOR PERMISSIBLE CURRENT CARRYING CAPACITY OF THE SINGLE CONTACT SEE PRODUCT SPECIFICATION NO.108-18782
- 4 SUPPLIER-MARK
- 5 SPACE OF ACTIVITY
- 6 SUPPLY CONDITION: CPA IN PRELOCKED POSITION
- 7 SUPPLY CONDITION: RETAINER IN PRELOCKED POSITION
- 8 WARPAGE PERMITTED TO MAX. -0.5mm
- 9 TE ORDER-NO.
- 10 ACCORDING TO INTERFACE DRAWING SEE TE-NO. 114-18679-3
- 11 ASSEMBLY LINE SEGMENT IDENTIFICATION
- 12 DATE CODE (DDYY)
- 13 CIRCULAR DATE INSERT ONLY FOR VERSION 1 DATE FORMAT FOR VERSION 2 (YY/MM)
- 14 REVISION, CORRESPONDING TO ACTUAL REVISION
- 15 MATERIAL IDENTIFICATION
- 16 MOULD CAVITY IDENTIFICATION
- 17 DATE INSERT FOR RECEPTACLE HOUSING
- 18 DIVERGETN MARKING FOR PARTS FROM U.S. AND CHINA PRODUCTION

TE-ORDER-NO.	COD	DEFINITION	REV	QTY	DEFINITION	MATERIAL	SURFACE/COLOUR	ITEM
1-1718645-3	A	4pos. MCON 1.2 - LL Connector, Sealed	F	1	MCON 1.2 - CPA	PA46-GF15	RED	5
				1	4pos. MCON 1.2 - Seal	MVQ	NATURE	4
				1	4pos. MCON 1.2 - Retainer	PA66-GF15	VIOLET	3
				1	4pos. MCON 1.2 - Protec. Cover	PA6-GF15	YELLOW	2
2-1718645-1	B	4pos. MCON 1.2 - LL Connector, Sealed	F	1	MCON 1.2 - CPA	PA46-GF15	GREY	5
				1	4pos. MCON 1.2 - Seal	MVQ	NATURE	4
				1	4pos. MCON 1.2 - Retainer	PA66-GF15	VIOLET	3
				1	4pos. MCON 1.2 - Protec. Cover	PA6-GF15	BLACK	2
1-1718645-1	A	4pos. MCON 1.2 - LL Connector, Sealed	F	1	MCON 1.2 - CPA	PA46-GF15	GREY	5
				1	4pos. MCON 1.2 - Seal	MVQ	NATURE	4
				1	4pos. MCON 1.2 - Retainer	PA66-GF15	VIOLET	3
				1	4pos. MCON 1.2 - Protec. Cover	PA6-GF15	BLACK	2
				1	4pos. MCON 1.2 - Rec. Housing	PA66-GF30	NATURE	1

DIVERGENT MARKING IS ALLOWED FOR PARTS FROM DIFFERENT TOOLS 2:1



3D VIEW 4:1



TOLERANCES UNLESS OTHERWISE SPECIFIED ACC. TO DIN 16901-140/CENTRIC TO NOMINAL DIMENSION, EDITION 1982-11 SHALL APPLY. Freimessstoleranzen nach DIN 16901-140. Es gilt die Ausgabe 1982-11.

THIS DRAWING IS A CONTROLLED DOCUMENT.

OWN	G. Roth	16FEB2005
CHK	A. Schraebel	16FEB2005
APVD	J. Woller	

DIMENSIONS: mm

TOLERANCES UNLESS OTHERWISE SPECIFIED:

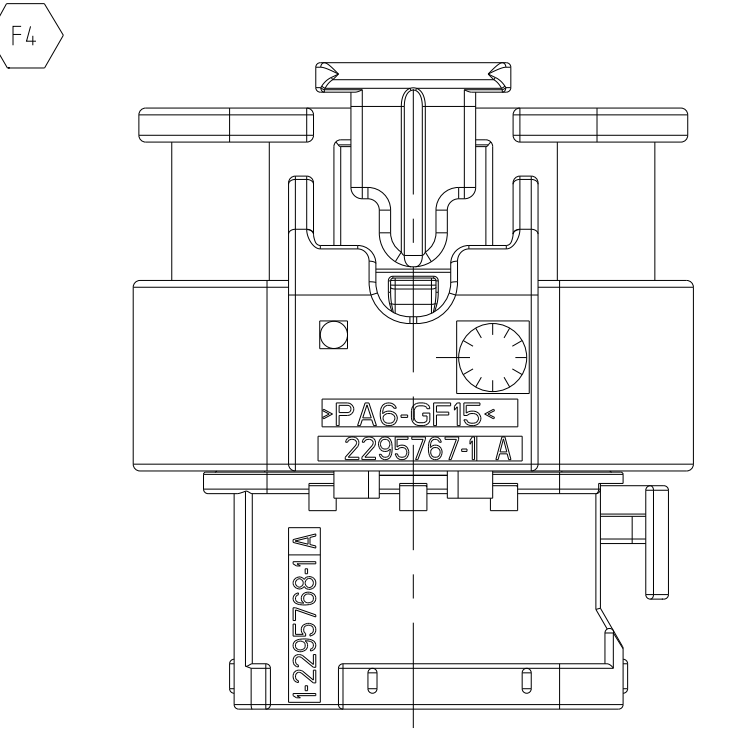
0 PLC	±
1 PLC	±
2 PLC	±
3 PLC	±
4 PLC	±
ANGLES	±0°
FINISH	

MATERIAL: -

WEIGHT: 5 g

CUSTOMER DRAWING

DIFFERENT REC. HSG. DESIGN ON THE PARTS FROM CN. 3:1



TE Connectivity

NAME: 4pos. MCON 1.2 - LL Connector, Sealed

SIZE: A1

CAGE CODE: 00779

DRAWING NO: C=1718645

RESTRICTED TO: -

SCALE: 5:1

SHEET: 1 OF 1

REV: F4