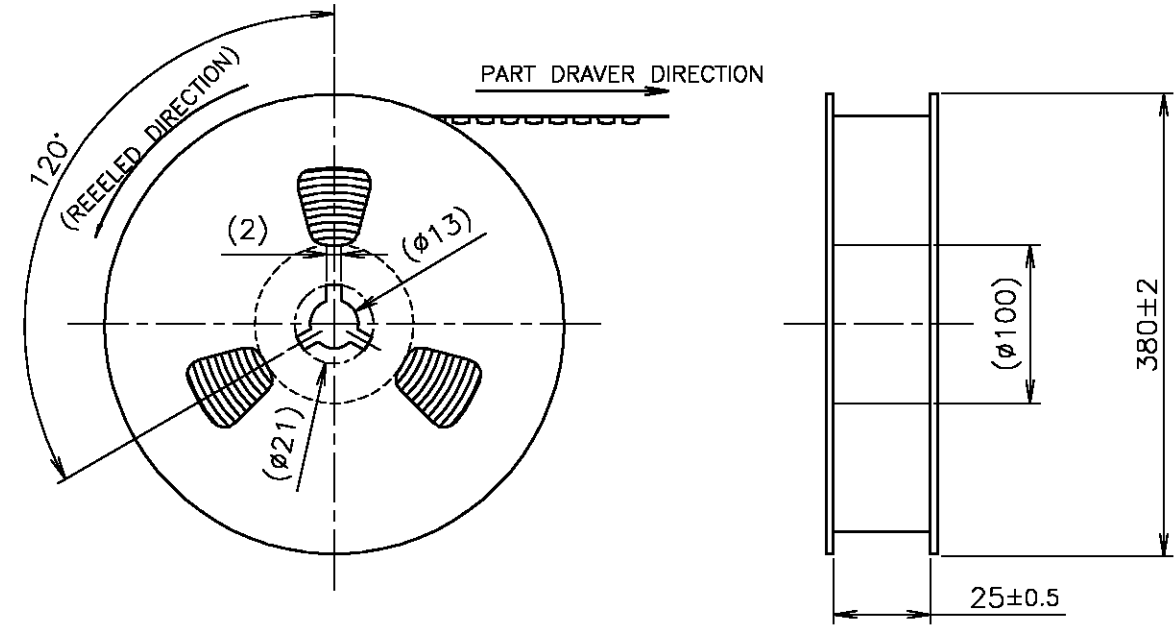


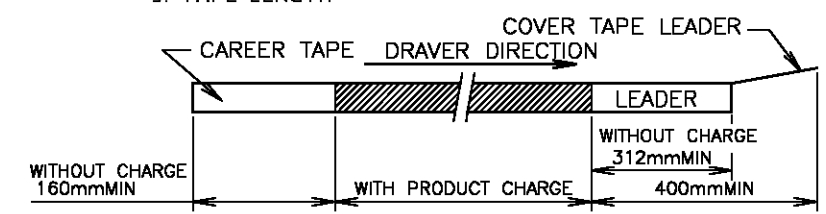
THIS DRAWING IS UNPUBLISHED. RELEASED FOR PUBLICATION
 © COPYRIGHT 2004 BY TYCO ELECTRONICS CORPORATION. ALL RIGHTS RESERVED.

LOC	DIST	REVISIONS			
P	LTR	DESCRIPTION	DATE	DWN	APVD
J	/	B	REVISED(FJBO-1400-04)	08DEC04	S.C W.K

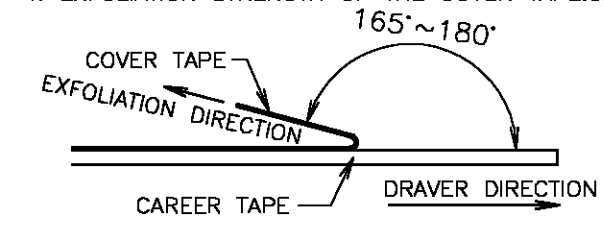


NOTES;

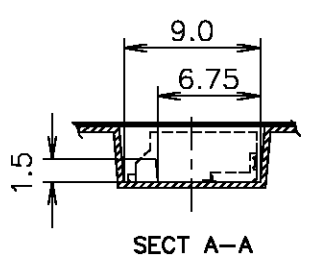
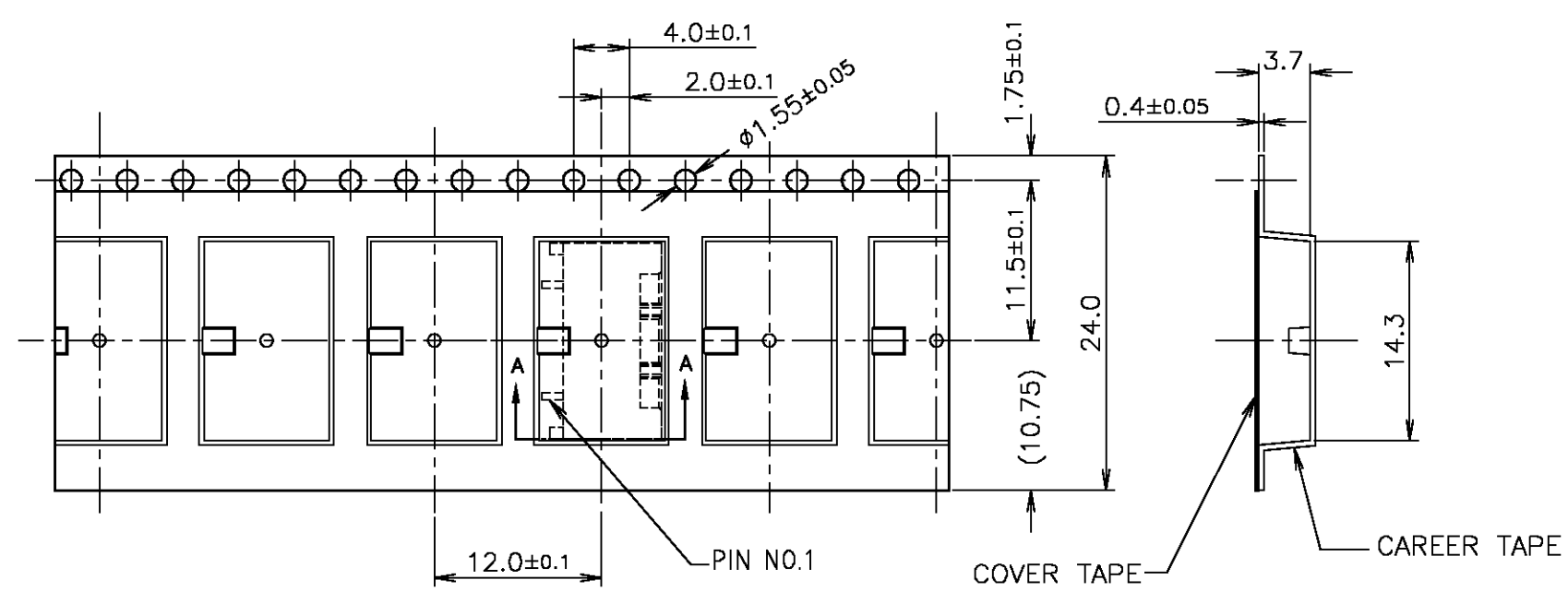
- HDR P/N : 1717797-1
- THE NUMBER OF PACKING : 1200EA/REEL
- TAPE LENGTH



- EXFOLIATION STRENGTH OF THE COVER TAPE: 0.1~1.27N(10~130gf)



- MATERIAL ; CAREER TAPE : PS , MUST BE CLEAR MATERIAL.
 COVER-TAPE : POLYESTER , COLOR:NATURAL
 REEL : CORRUGATED CARDBOARD



LEAD FREE

-1:AS SHOWN

THIS DRAWING IS A CONTROLLED DOCUMENT.		DWN S.CHIEN 07NOV03	Tyco Electronics AMP K.K. Kawasaki, Japan	
DIMENSIONS: mm		CHK N.FUTATSUGI 07NOV03	NAME	
TOLERANCES UNLESS OTHERWISE SPECIFIED:		APVD W.KODAMA 07NOV03	BACK LIGHT CONN. 8mm PITCH HDR ON TAPE	
0 PLC ±	1 PLC ±	PRODUCT SPEC 108-5925	SIZE A3	CAGE CODE 00779
2 PLC ± ±0.3	3 PLC ±	APPLICATION SPEC NONE	DRAWING NO C-1717823	RESTRICTED TO
4 PLC ±	ANGLES ±3'	WEIGHT 0.3g/ea	SCALE 2:1	SHEET 1 OF 1
MATERIAL SEE NOTES 5	FINISH	CUSTOMER DRAWING	REV B	