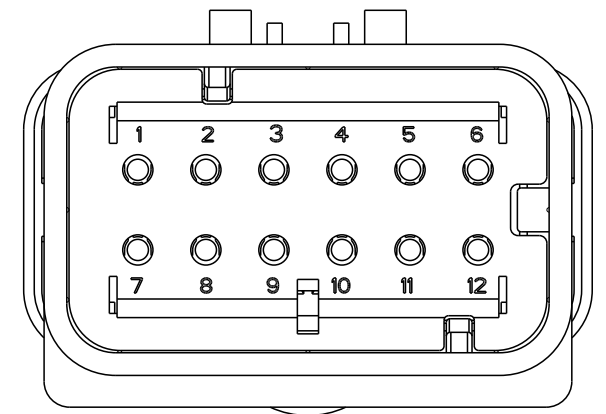
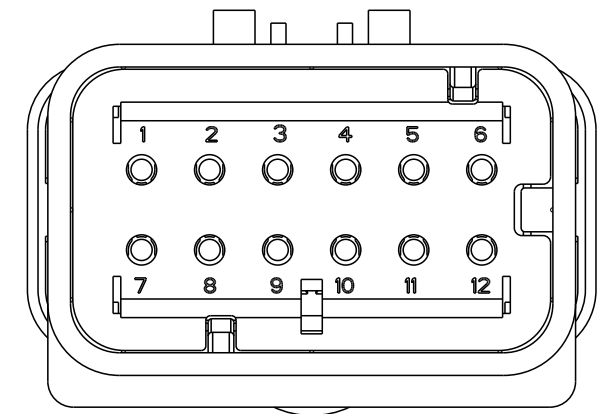


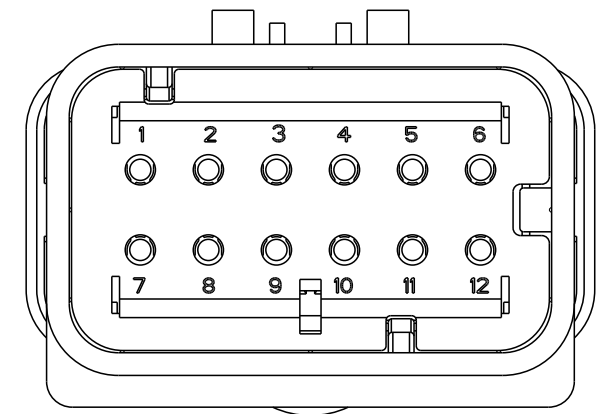
REVISIONS					
P	LTR	DESCRIPTION	DATE	DWN	APVD
C	I	REVISED PER ECR-10-019377	30SEP2010	HMR	T.M
D		REVISED PER ECR-14-000206	26DEC2013	DR	RB
D	I	REVISED PER ECR-24-201925	05MAR2024	HY	TK



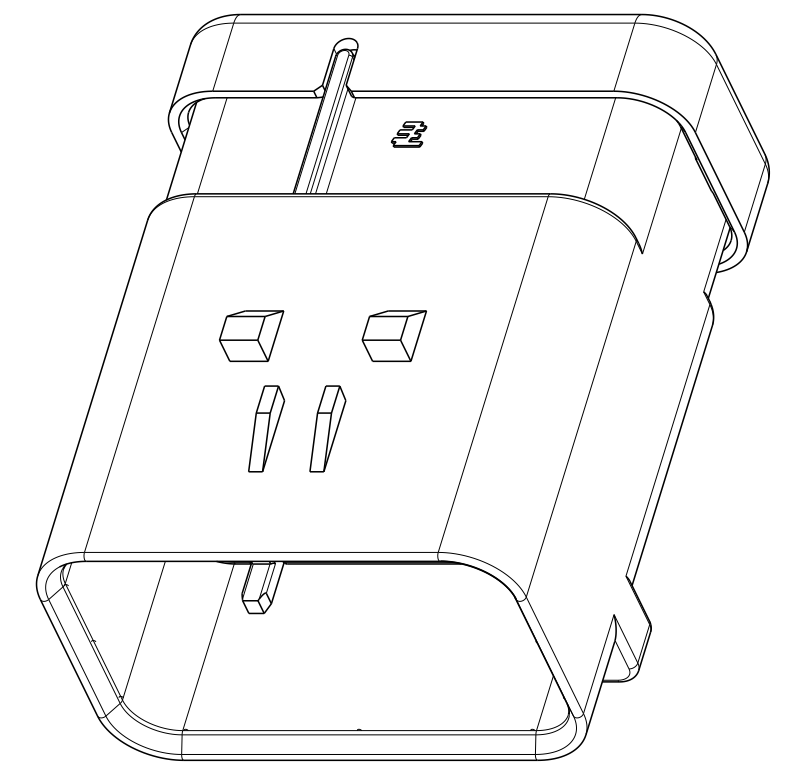
1717677-2
SCALE 2:1



1717677-3
SCALE 2:1



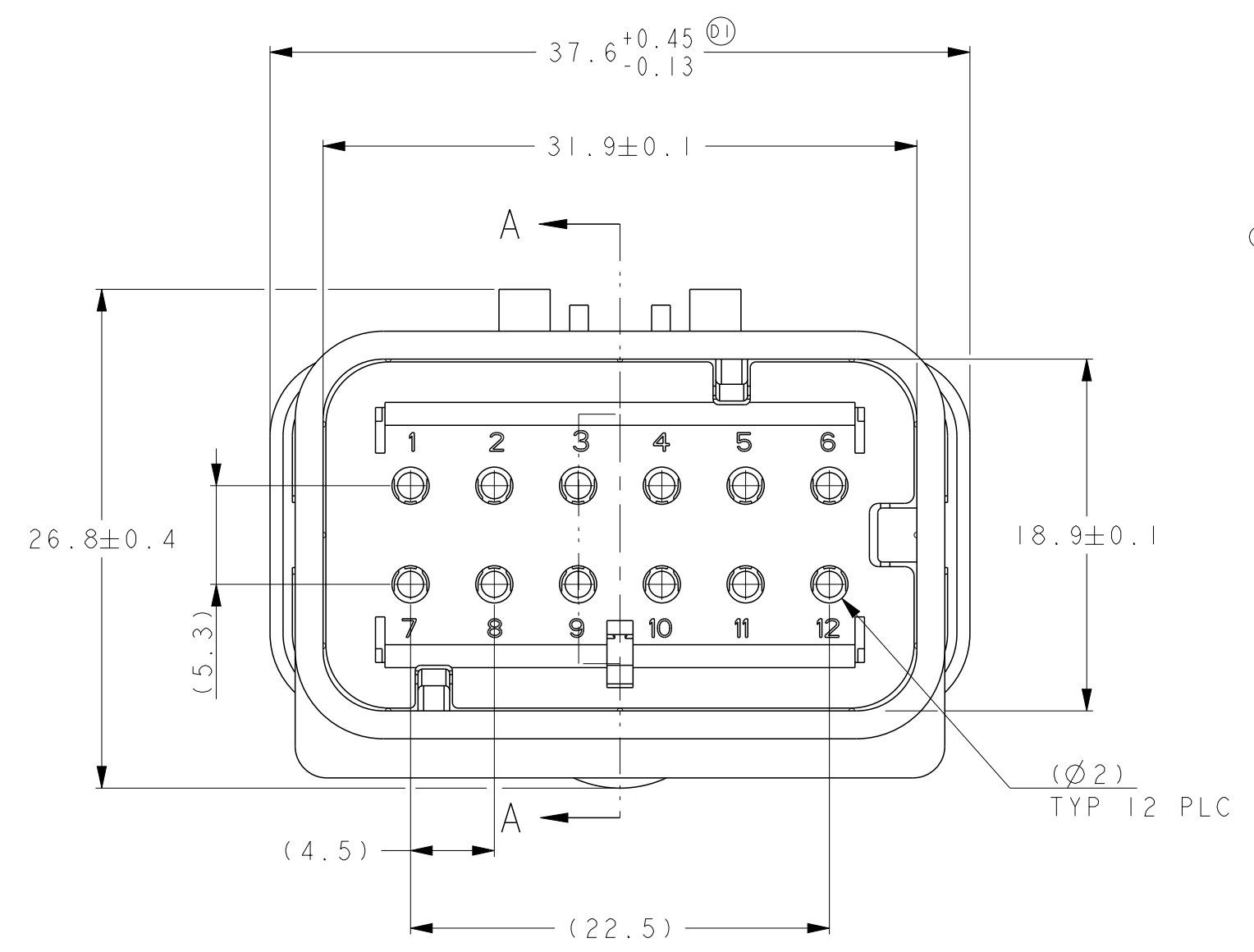
1717677-4
SCALE 2:1



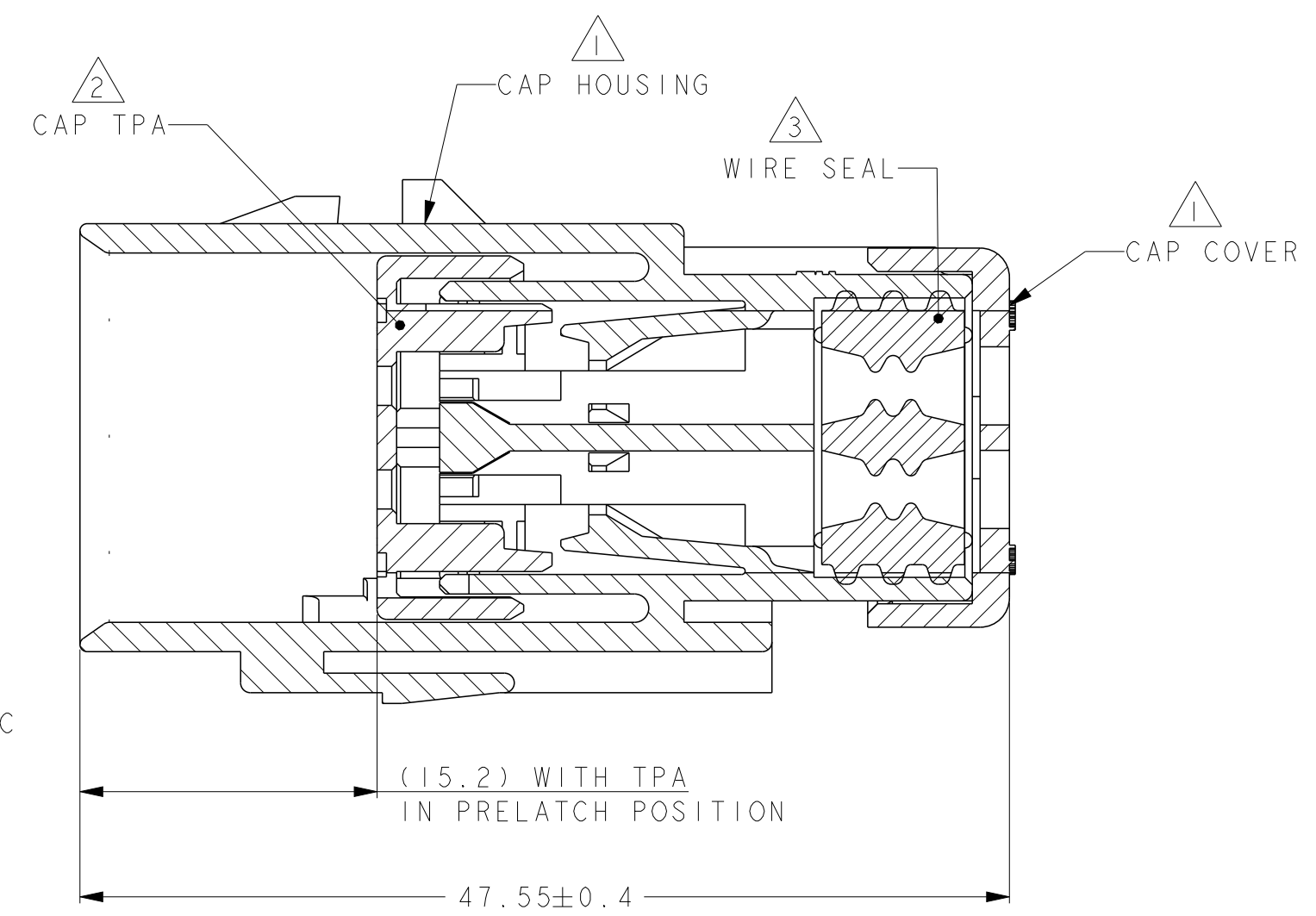
SCALE 2:1

- ① MATERIAL: 15% GLASS FILLED THERMOPLASTIC
COLOR: BLACK
- ② MATERIAL: 15% GLASS FILLED THERMOPLASTIC
COLOR: (SEE TABLE)
- ③ MATERIAL: SILICONE
COLOR: GREEN

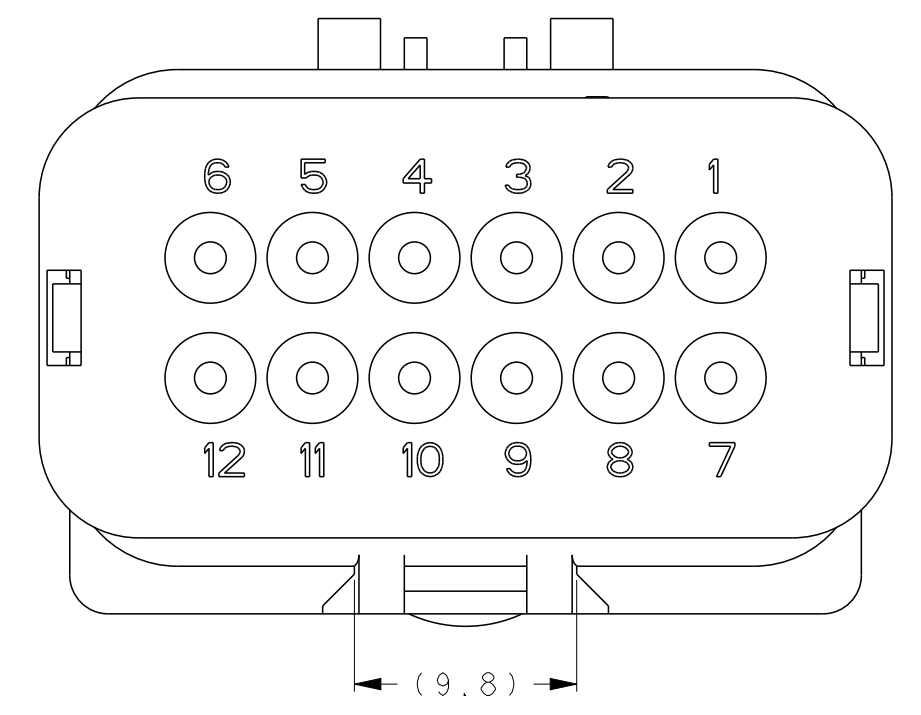
4. WIRE INSULATION RANGE: $\varnothing 2.24 \sim \varnothing 3.94$



1717677-1 SHOWN



A-A
OPEN POSITION



GREEN	1717677-4
YELLOW	1717677-3
GRAY	1717677-2
RED	1717677-1
TPA COLOR	PART NUMBER

THIS DRAWING IS A CONTROLLED DOCUMENT.		DWN Y. KATO	15JAN2004	TE Connectivity	
DIMENSIONS: mm		CHK S. MANABE	15JAN2004		
TOLERANCES UNLESS OTHERWISE SPECIFIED:		APVD S. MANABE	15JAN2004		
0 PLC ± 1 PLC ± 2 PLC ± 3 PLC ± 4 PLC ± ANGLES ± FINISH -		PRODUCT SPEC 108-2184	NAME CAP ASSY, 12 POS. BRACKET REVERSE TYPE AMP SEAL 16		
MATERIAL		APPLICATION SPEC 114-13065	WEIGHT	SIZE A2	CAGE CODE 0779
		CUSTOMER DRAWING	SCALE 3:1	DRAWING NO C-1717677	RESTRICTED TO
			SHEET 1	OF 1	REV D1