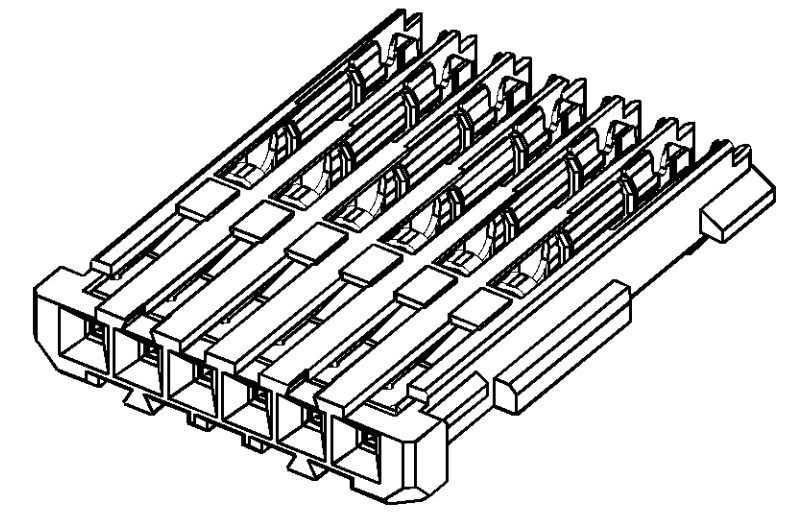
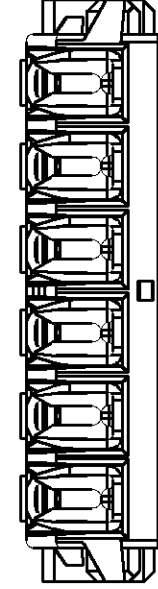
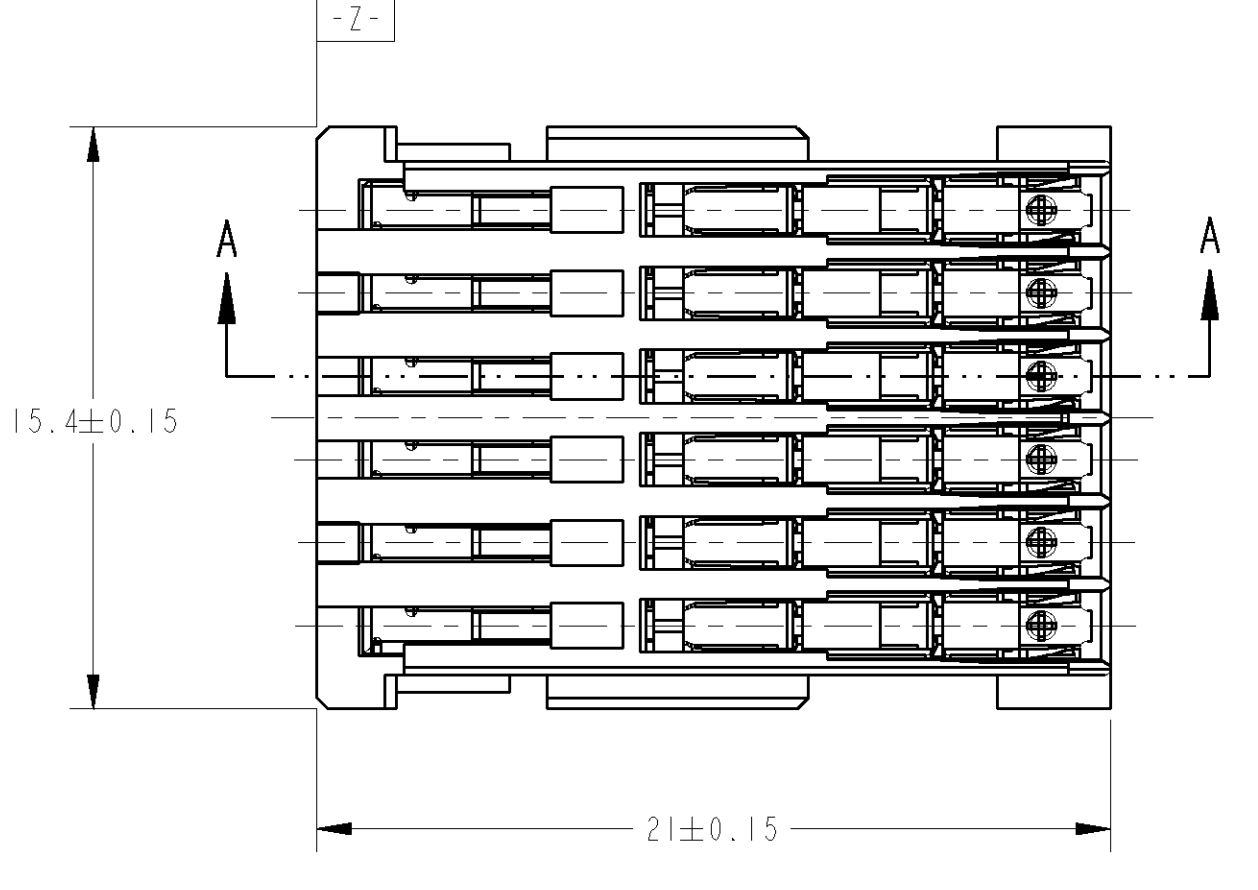
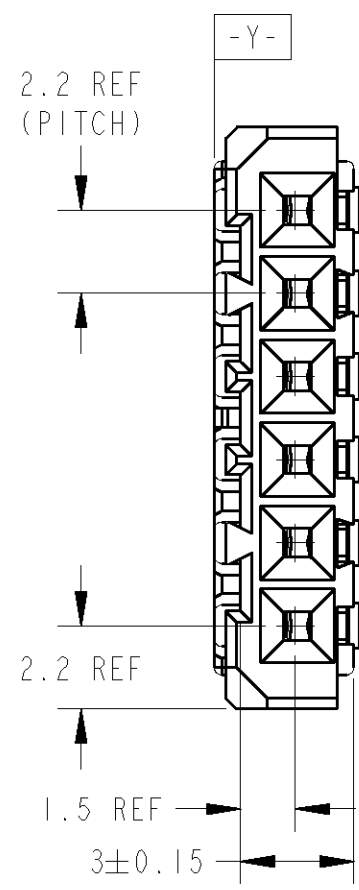
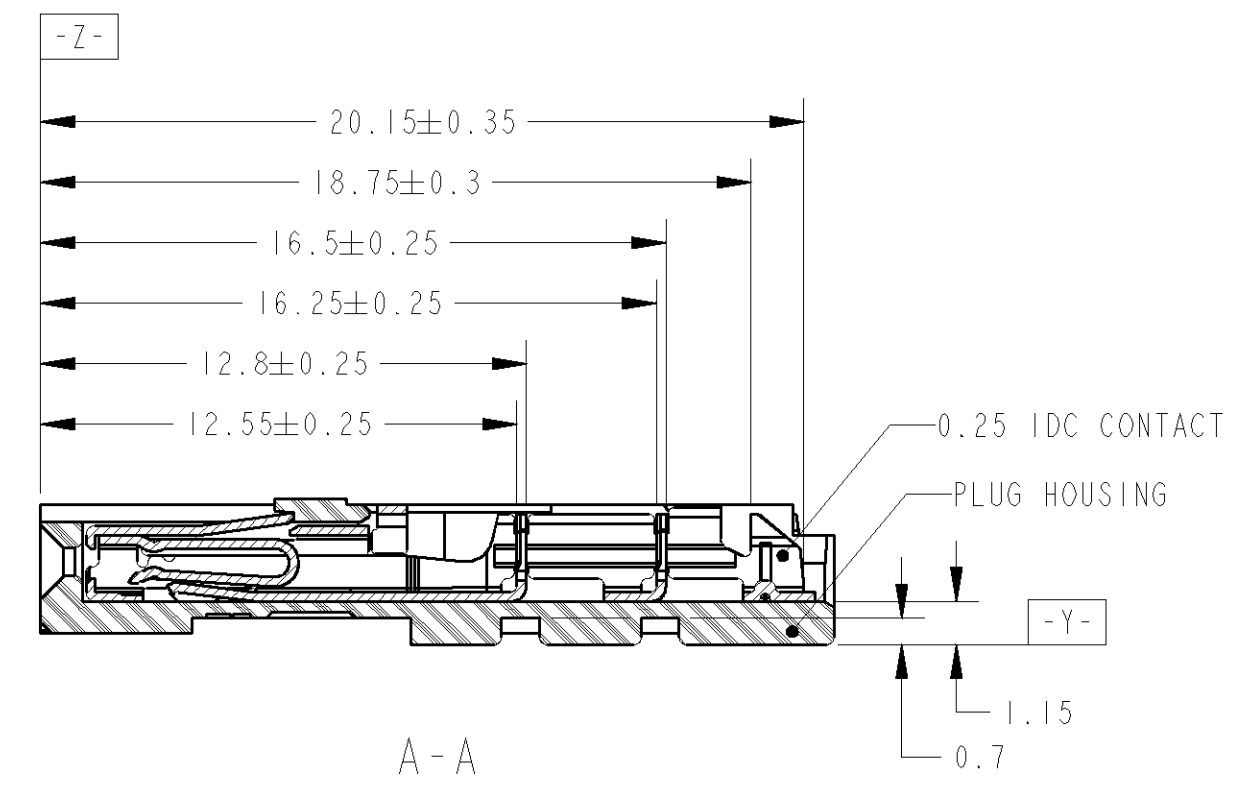
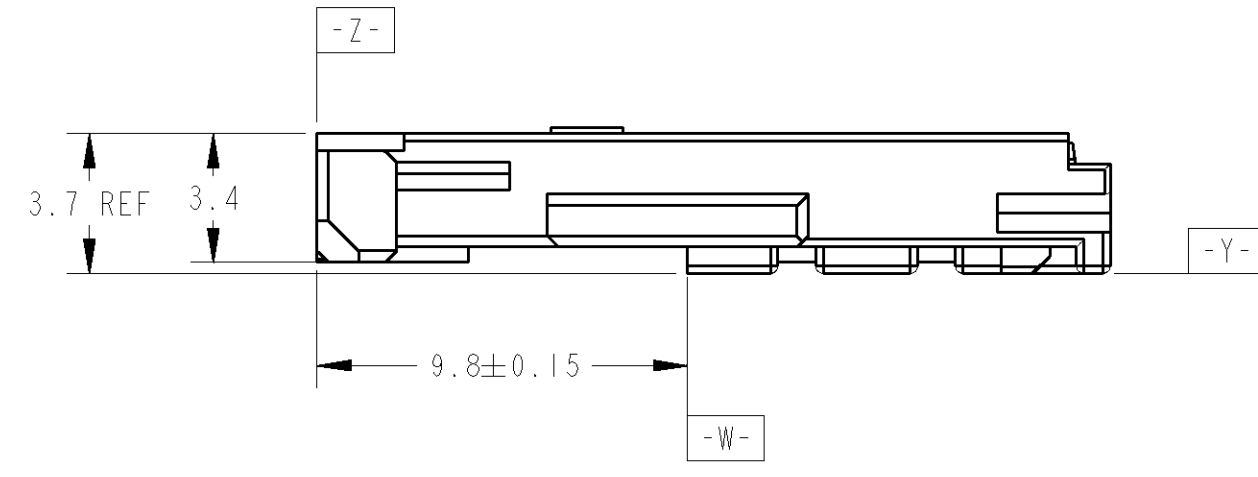


THIS DRAWING IS UNPUBLISHED. RELEASED FOR PUBLICATION 20  
 © COPYRIGHT 20 ALL RIGHTS RESERVED.

LOC	DIST	REVISIONS						
		P	LTR	DESCRIPTION	ECN	DATE	DWN	APVD
J	-	0		RELEASED	FJA0-0457-03	25AUG03	TS	KB
		01		REVISED	ECR-12-000570	11JAN12	TS	KB



SCALE 4:1



- 1. 取扱説明書: 411-5912
  - 2. 本品はロックハウジング型番 1473810 を装着して使用する。
  - 3. 嵌合相手型番: 1565894, 1318772, 1473898
- 1. INSTRUCTION SHEET: 411-5912
  - 2. PLUG HOUSING MUST BE USED WITH LOCK HOUSING PN 1473810
  - 3. PART NUMBER OF HOUSING TO BE MATED: 1565894, 1318772, 1473898

NATURAL	1717591-1
HOUSING COLOR	PART NUMBER

THIS DRAWING IS A CONTROLLED DOCUMENT.		DWN T. SHINOHARA 28JUL03	TE Connectivity <b>6 POSITION PLUG ASSEMBLY</b> <b>025 IDC CONNECTOR</b>	
DIMENSIONS: 単位: 稀 (mm)		CHK K. BETSUI 28JUL03		
TOLERANCES UNLESS OTHERWISE SPECIFIED: 公差差: ±0.3		APVD K. BETSUI 28JUL03	NAME 名義	
0-PLC ±0.1		PRODUCT SPEC 108-5660	SIZE A2	
1-PLC ±0.1		APPLICATION SPEC 114-5276	CAGE CODE C-1717591	
2-PLC ±0.01		WEIGHT 1.93	DRAWING NO. C-1717591	
3-PLC ±0.001		CUSTOMER DRAWING	RESTRICTED TO -	
4-PLC ±0.0001			SCALE 5:1	
ANGLES ±3°00'			SHEET 1 OF 1	
FINISH 仕上			REV 01	
MATERIAL 材料 HSG:PBT CONT:Cu Alloy				
HSG:SEE TABLE CONT:POST TIN				