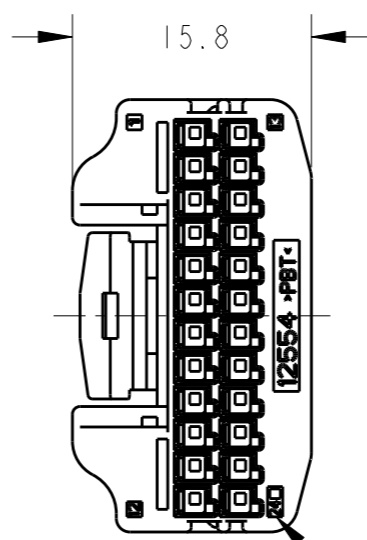
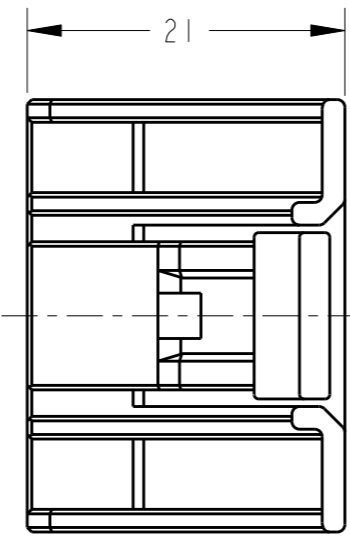
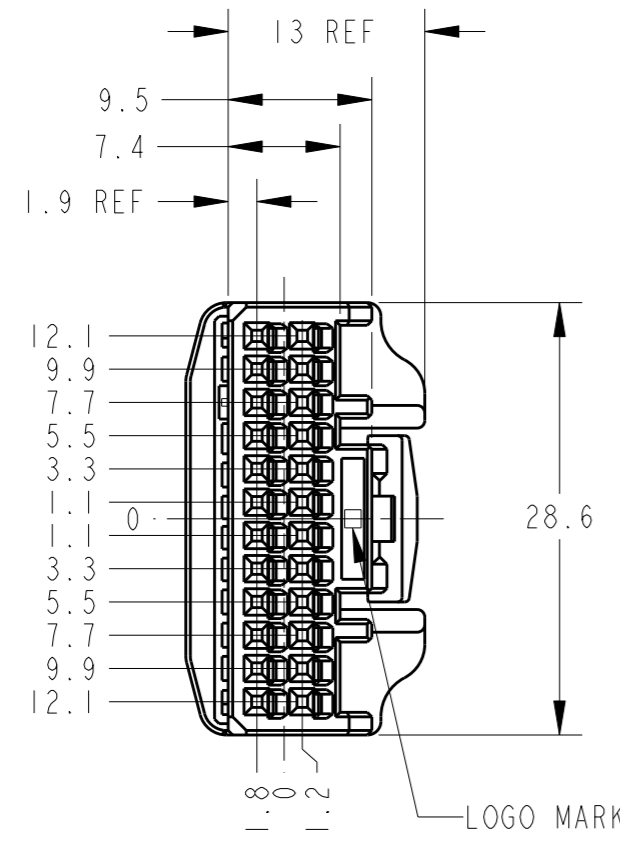


THIS DRAWING IS UNPUBLISHED. RELEASED FOR PUBLICATION 2004
 © COPYRIGHT 2004 ALL RIGHTS RESERVED.

LOC	DIST	REVISIONS						
		P	LTR	DESCRIPTION	ECN	DATE	DWN	APVD
J	-		O	RELEASED	FJA0-0067-04	26JAN04	SA	KA
			A	REVISED	ECR-08-017812	28JUL08	TS	KB
			A1	ADD -2	ECR-08-022646	16SEP08	AY	HY
			A2	ADD -3	ECR-15-014505	06OCT2015	TS	HY



CURCUIT NO.

1. RETAINER SHOULD BE SENT TO THE PRE-ASSEMBLY.
2. INSTRUCTION SHEET NO.411-78080.
3. PART NUMBER OF CAP HOUSING TO BE MATED : SEE TABLE-1
4. APPLIED TERMINALS : SEE TABLE-2

1. プラグハウジングにリテーナを仮係止して出荷される
2. 取扱説明書NO. 411-78080
3. 嵌合相手型番 : TABLE-1参照
4. 適用端子 : TABLE-2参照

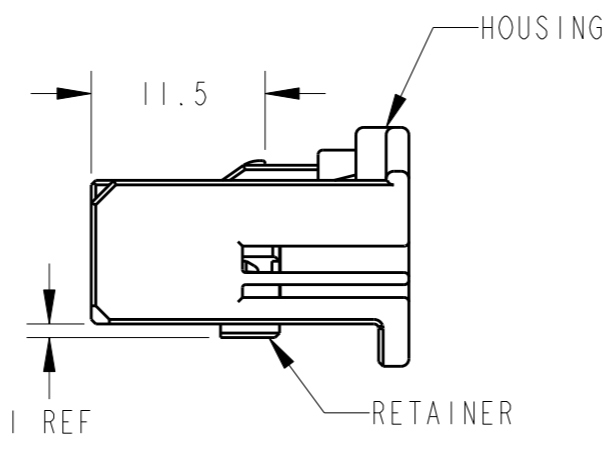


TABLE-1

POS 極数	CAP ASSEMBLY PART NO. キャップ 型番
24	W-W 1376103
	W-B 1376111
	1318853

SEE DWG 1717112-3			1717112-3
PAPER BOX ダンボール	PLASTIC BAG ビニール袋	BLACK	1717112-2
PAPER BOX ダンボール	PLASTIC BAG ビニール袋	NATURAL	1717112-1
OUTER 外装	INNER 内装	COLOR	PART NUMBER
PACKEING STYLE 梱包形態			

TABLE-2

	TERMINAL NO. 端子型番	APPLICABLE WIRE RANGE 適用電線
SIGNAL 0.64111	TIN 1674311-1	AVSS/CAVS/CAVUS/AVSSH-f 0.3~0.5mm ²
	SELECTIVE GOLD 1674311-2	

THIS DRAWING IS A CONTROLLED DOCUMENT.

DIMENSIONS: 単位: 耗 mm	TOLERANCES UNLESS OTHERWISE SPECIFIED: 一般公差 ±0.3 0-PLC ± 1-PLC ±0.1 2-PLC ±0.01 3-PLC ±0.001 4-PLC ±0.001 ANGLES ±3'00"	DWN S. AMEMIYA 26JAN04 CHK H. YAMAGAMI 26JAN04 APVD K. ASAI 26JAN04	TE Connectivity	
MATERIAL 材料 PBT	FINISH 仕上 SEE TABLE	PRODUCT SPEC 製品規格 108-5931 APPLICATION SPEC 取付適用規格 114-5329	NAME 名称 0.64111 24P PLUG HSG ASSEMBLY	
WEIGHT 3.8 g		SIZE A3	CAGE CODE 00779	DRAWING NO 番号 C-1717112
CUSTOMER DRAWING		SCALE 尺度 2:1	SHEET 1 OF 1	RESTRICTED TO REV A2