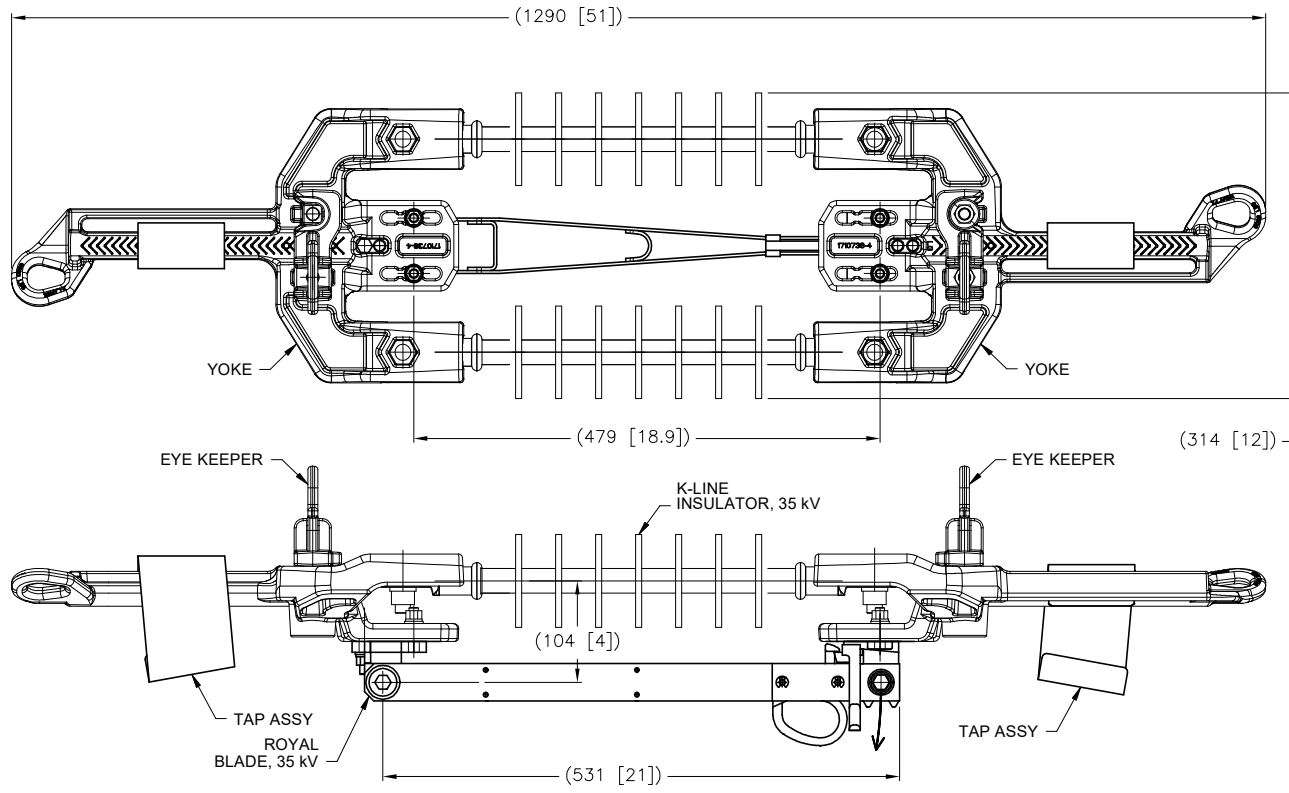


THIS DRAWING IS UNPUBLISHED. RELEASED FOR PUBLICATION. ALL RIGHTS RESERVED.

E1	LC20-0027-19 / ECO-19-003287	01MAR2019	DM	BJ
F	LC20-0060-19 / ECO-19-010173	29JUN2019	DM	BJ
G	LC20-0114-19 / ECO-19-016005	05NOV2019	DM	BJ

REVISIONS				
REV	LR	DESCRIPTION	DATE	BY
B		LC20-0094-13 / ECO-13-014496	09SEP2013	DM
C		LC20-0031-16 / ECO-16-005675	14APR2016	DM
D		LC20-0085-16 / ECO-16-011010	21JUL2016	DM
E		LC20-0019-19 / ECO-19-002310	27FEB2019	DM



40,000 AMPERE RMS, ASYMMETRICAL	25,000 AMPERE RMS, SYMMETRICAL	900 AMPERE RMS	60 HERTZ	200 kV	35 kV AC
MOMENTARY CURRENT	THREE SECOND CURRENT	CONTINUOUS CURRENT ALLOWABLE RATING: (PER ANSI C37-32.3.2.1 2002)	FREQUENCY	BASIC IMPULSE INSULATION LEVEL (BIL)	VOLTAGE
SHORT TIME CURRENT					
RATINGS					

- BODY STRENGTH: 10,000 lbs.  
PULLING EYE STRENGTH: 6000 lbs.
- FOR INLINE DISCONNECT SWITCH ASSEMBLY W/O TAPS, REFER TO 1710732-X SERIES PART NUMBERS.
- 1710733-1 WILL BE REPLACED BY 1-1710733-3 IN THE FUTURE.

#2 (6/1) 1/0 (6/1) 2/0 (6/1)	#2 1/0 2/0	X-SMALL	1-83843-4	1-1710733-3
954 (45/7), (24/7), (54/7), 1033.5 (45/7), (54/7)	1033.5 1113.0	XX-LARGE	1-83843-3	1-1710733-2
-	556.5 COMPACT/STD	LARGE	83843-9	1-1710733-1
336.4 (18/1)	336.4 COMPACT	SMALL	83843-8	1-1710733-0
795 (24/7) (26/7), (30/7) (30/19), (54/7)	954	X-LARGE	1-83843-1	1710733-9
605 (30/19) 636 (26/7) (24/7), (30/19) 666.6 (24/7) (26/7)	715.5, 750, 795	X-LARGE	83843-6	1710733-8
477.0 (30/7) 556.5 (24/7) (26/7), (30/7) 605 (24/7) (26/7) 636 (18/1) (36/1)	600, 636, 650, 700	X-LARGE	83843-5	1710733-7
477.0 (26/7) 556.5 (18/1)	556.5	LARGE	83843-4	1710733-6
397.5 (18/1) (24/7), (26/7) (30/7) 477.0 (18/1)	450, 477, 500	LARGE	83843-3	1710733-5
266.8 (26/7) 336.4 (18/1) (26/7), (30/7)	397.5 336.4, 350	SMALL	83843-2	1710733-4
266.8 (18/1)	266.8	SMALL	83843-1	1710733-3
3/0 (6/1) 4/0 (6/1)	4/0	SMALL	83843-7	1710733-2
1/0 (6/1) 2/0 (6/1)	1/0 2/0	X-SMALL	1-83843-0	1710733-1
ACSR	AAC	YOKE SIZE IN ILD ASSEMBLY	REPLACEMENT TAP P/N	PART NO.

THIS DRAWING IS A CONTROLLED DOCUMENT. DWG: D. MURUGIAH 12FEB2010  
CHK: S. KAMEL 29MAR2010  
APP'D: B. JOHNSON 29MAR2010

**TE** TE Connectivity

NAME: INLINE DISCONNECT SWITCH ASSEMBLY WITH TAPS, AMPACT, 35 kV, 900 Amp

PRODUCT SPEC: -  
APPLICATION SPEC: -  
WEIGHT: 0  
MATERIAL: -  
FINISH: -

SIZE: A2  
CAGE CODE: 00779  
DRAWING NO: 1710733

CUSTOMER DRAWING  
SCALE: NTS  
SHEET: 1 of 1  
REV: G