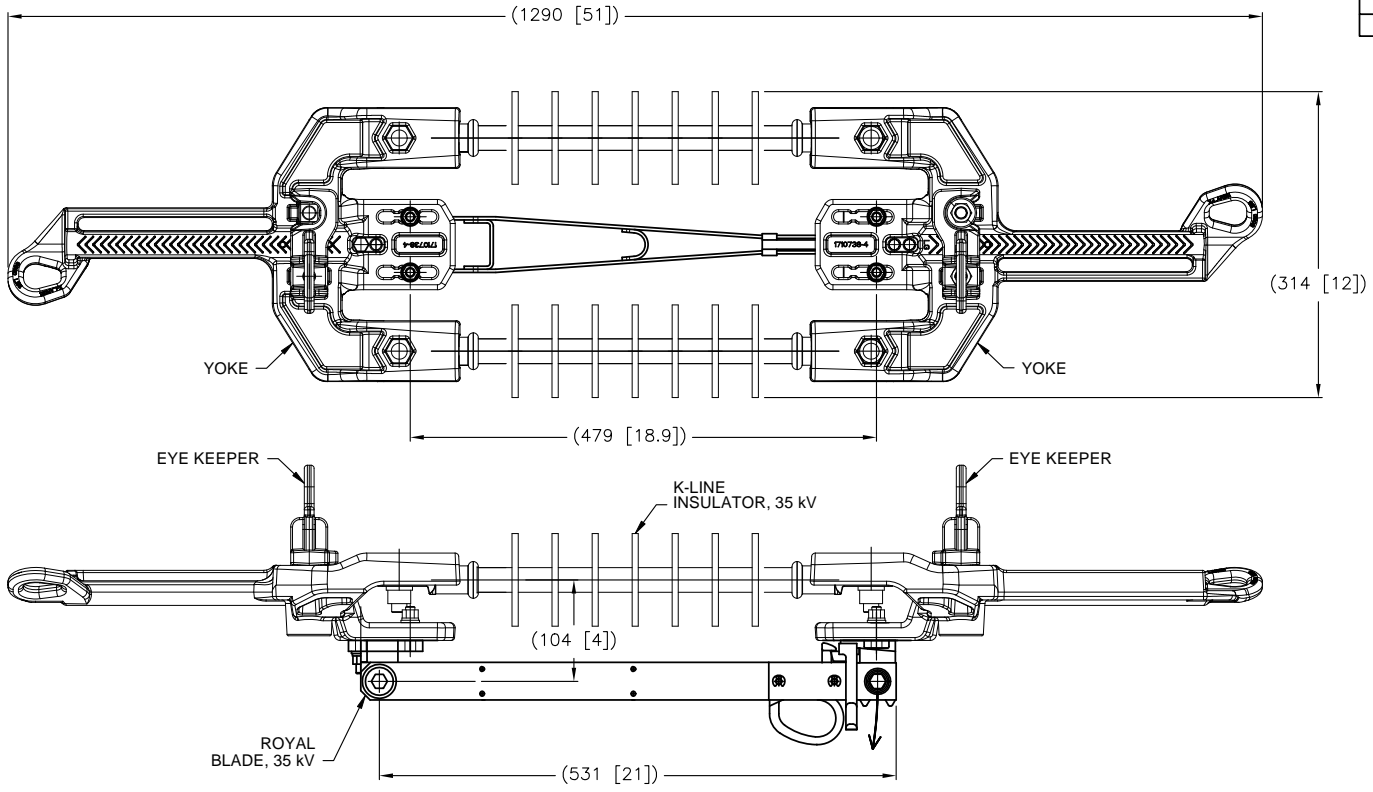


THIS DRAWING IS UNPUBLISHED. RELEASED FOR PUBLICATION  
 © COPYRIGHT - By - ALL RIGHTS RESERVED.

REVISIONS					
REV	LTN	DESCRIPTION	DATE	OWN	APPD
C	LC20-0056-12 / ECO-12-010512		28MAY2012	DM	BJ
D	LC20-0094-13 / ECO-13-014496		09SEP2013	DM	BJ
E	LC20-0031-16 / ECO-16-005675		14APR2016	DM	BJ
F	LC20-0085-16 / ECO-16-011010		21JUL2016	DM	BJ
G	LC20-0019-19 / ECO-19-002310		27FEB2019	DM	BJ
G1	LC20-0027-19 / ECO-19-003287		01MAR2019	DM	BJ
H	LC20-0060-19 / ECO-19-010173		29JUN2019	DM	BJ



- BODY STRENGTH: 10,000 lbs.  
PULLING EYE STRENGTH: 6000 lbs.
- 1710732-1 WILL BE REPLACED BY 1710732-6 IN THE FUTURE.

40,000 AMPERE RMS, ASYMMETRICAL	25,000 AMPERE RMS, SYMMETRICAL	900 AMPERE RMS	60 HERTZ	200 kV	35 kV AC
MOMENTARY CURRENT	THREE SECOND CURRENT	CONTINUOUS CURRENT ALLOWABLE RATING: (PER ANSI C37-32.3.2.1 2002)	FREQUENCY	BASIC IMPULSE INSULATION LEVEL (BIL)	VOLTAGE
SHORT TIME CURRENT					
RATINGS					

X-SMALL	1710732-6
XX-LARGE	1710732-5
X-LARGE	1710732-4
LARGE	1710732-3
SMALL	1710732-2
X-SMALL	1710732-1
YOKE SIZE IN ILD ASSEMBLY	PART NO.

THIS DRAWING IS A CONTROLLED DOCUMENT.

OWN: D. MURUGIAH	12FEB2010	<b>TE</b> TE Connectivity
CHK: S. KAMEL	29MAR2010	
APPD: B. JOHNSON	29MAR2010	
NAME: INLINE DISCONNECT SWITCH ASSEMBLY WITHOUT TAPS, AMPACT, 35 kV, 900 Amp		
DIMENSIONS: mm [INCHES]	TOLERANCES UNLESS OTHERWISE SPECIFIED:	PRODUCT SPEC: -
0 PLC ± -	1 PLC ± -	APPLICATION SPEC: -
2 PLC ± -	3 PLC ± -	WEIGHT: 0
3 PLC ± -	4 PLC ± -	SIZE: A2
4 PLC ± -	ANGLES: ± -	CAGE CODE: 00779
MATERIAL: -	FINISH: -	DRAWING NO: 1710732
CUSTOMER DRAWING		RESTRICTED TO: -
SCALE: NTS		SHEET: 1 of 1
		REV: H