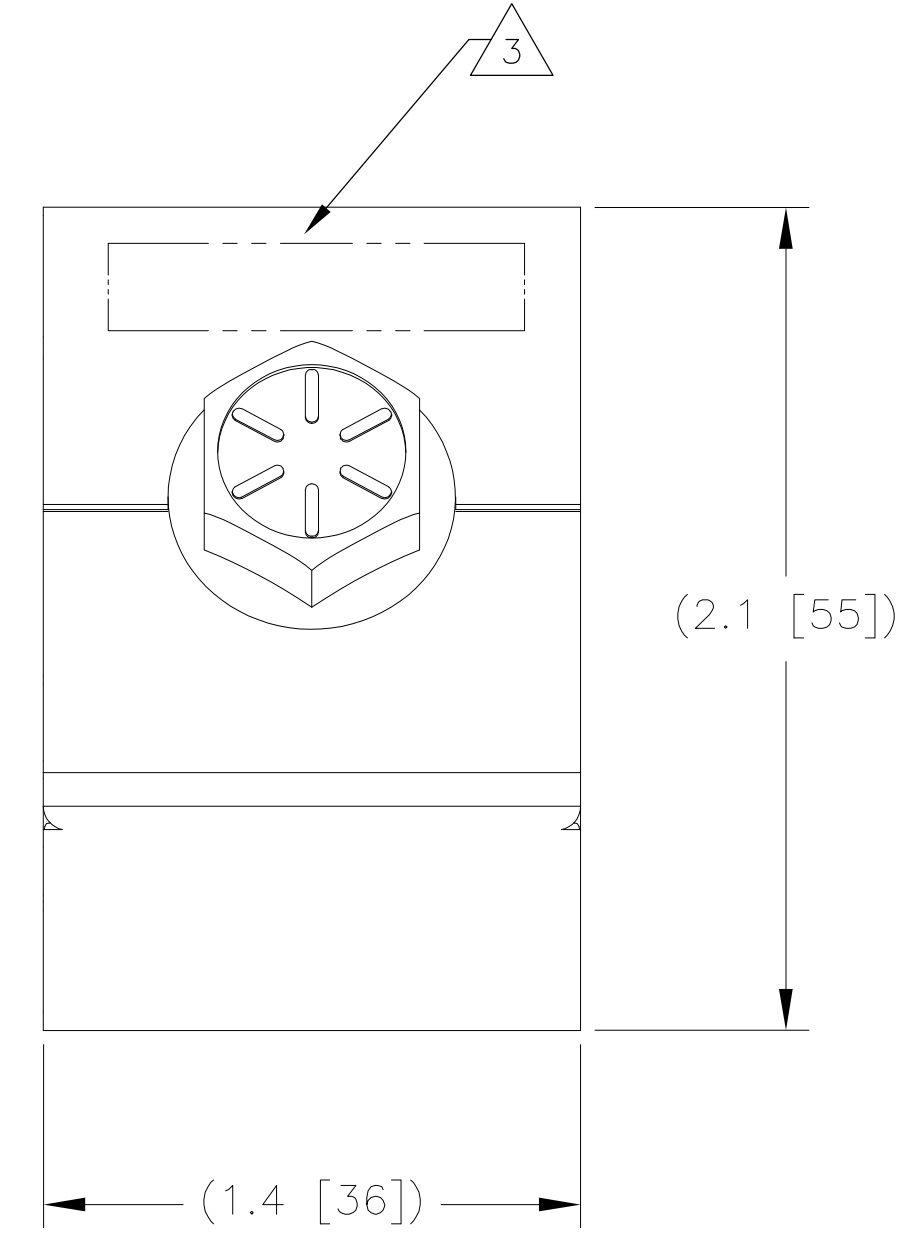
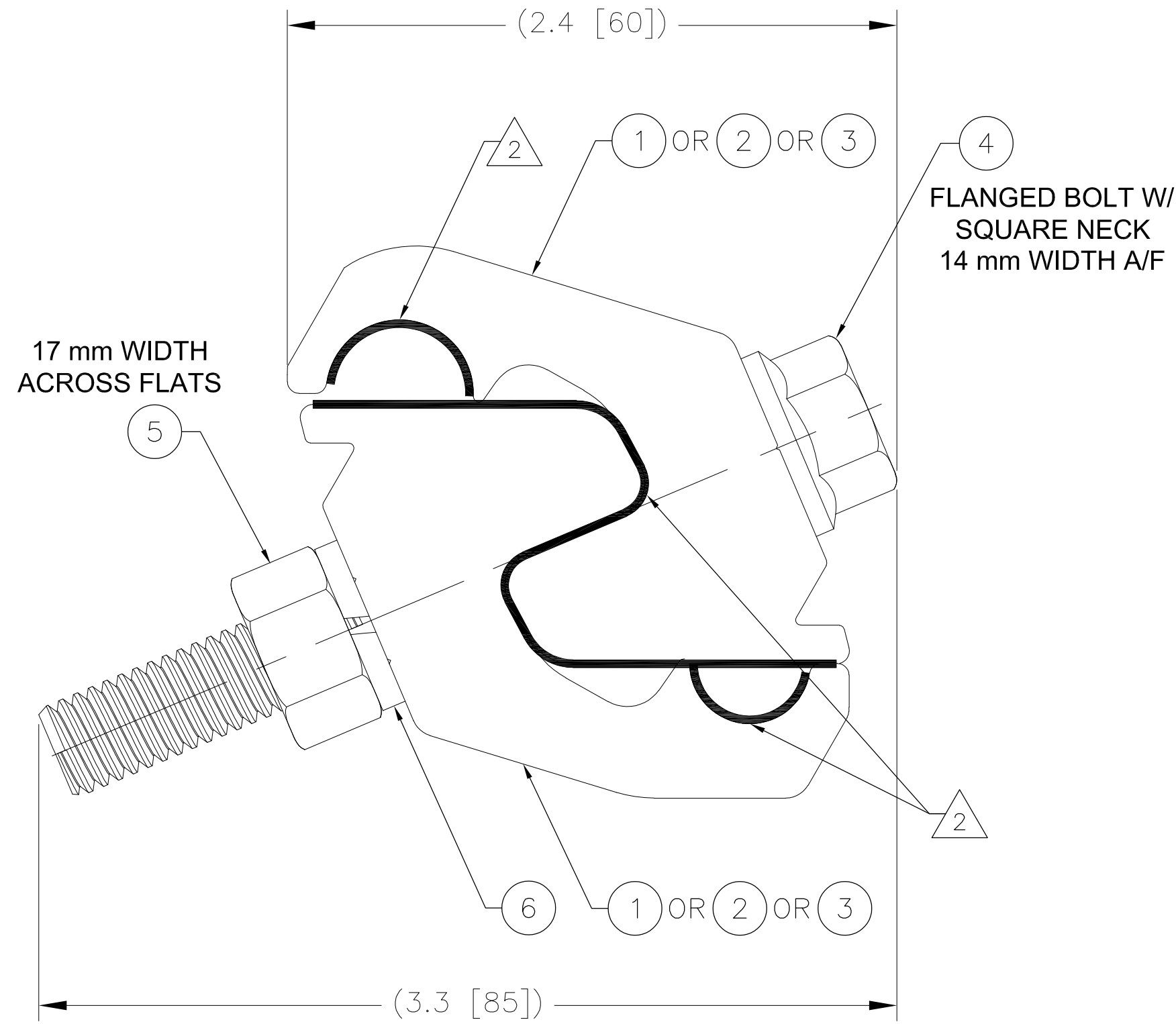


THIS DRAWING IS UNPUBLISHED. RELEASED FOR PUBLICATION
 © COPYRIGHT BY TYCO ELECTRONICS CORPORATION. ALL RIGHTS RESERVED.

LOC		DIST		REVISIONS			
P	LTR	DESCRIPTION		DATE	DWN	APVD	
GA	1	A		INITIAL REL. PER LC20-0167-08	03JUL2008	DM	BJ



- 1. ALL DIMENSIONS ARE FOR REFERENCE ONLY.
- 2. INHIBITOR IS APPLIED AT FACTORY.
- 3. MARKING:
 A3
 [YYWW]
 ("A1" TO "A3" IDENTIFY J MEMBER COMPONENTS OF CONNECTOR. "YYWW" REPRESENTS DATE CODE AS YEAR, WEEK).

COMBINATION	RUNNER (PRIMARY)	TAP (SECONDARY)	PART NO.
A3 - A3	80 - 100	80 - 100	1710581-6
A3 - A2	80 - 100	50 - 63	1710581-5
A3 - A1	80 - 100	16 - 31.5	1710581-4
A2 - A2	50 - 63	50 - 63	1710581-3
A2 - A1	50 - 63	16 - 31.5	1710581-2
A1 - A1	16 - 31.5	16 - 31.5	1710581-1

QTY	REQD.	PER	ASSY	DESCRIPTION	ITEM NO.			
-	-	-	-	-	1	408-10147	INSTRUCTION SHEET	7
1	1	1	1	1	1		WASHER, SPLIT, 3/8 SIZE	6
1	1	1	1	1	1		NUT, HEX, 3/8 SIZE	5
1	1	1	1	1	1		BOLT, FLANGED HEX HEAD, 3/8 SIZE	4
2	1	1	-	-	-		TWC, J MEMBER A3, ALUMINUM ALLOY	3
-	1	-	2	1	-		TWC, J MEMBER A2, ALUMINUM ALLOY	2
-	-	1	-	1	2		TWC, J MEMBER A1, ALUMINUM ALLOY	1

THIS DRAWING IS A CONTROLLED DOCUMENT.

DWN: D. MURUGIAH 03JUL2008
 CHK: V. HOXHA 28JUL2008
 APVD: B. JOHNSON 28JUL2008

Tyco Electronics Tyco Electronics Corporation
 Markham, ON L3R 1E1

NAME: TRANSVERSE WEDGE CONNECTOR, FLANGED BOLT WITH SQUARE NECK, SMALL GROUP, 16 TO 100 SQR MM

SIZE: A2 CAGE CODE: 00779 DRAWING NO: 1710581 RESTRICTED TO: -

MATERIAL: REFER BOM FINISH: NONE WEIGHT: -

CUSTOMER DRAWING SCALE: NTS SHEET: 1 OF 1 REV: A