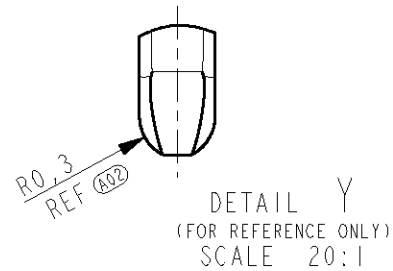


THIS DRAWING IS UNPUBLISHED. RELEASED FOR PUBLICATION
 © COPYRIGHT - BY TYCO ELECTRONICS CORPORATION. ALL RIGHTS RESERVED.

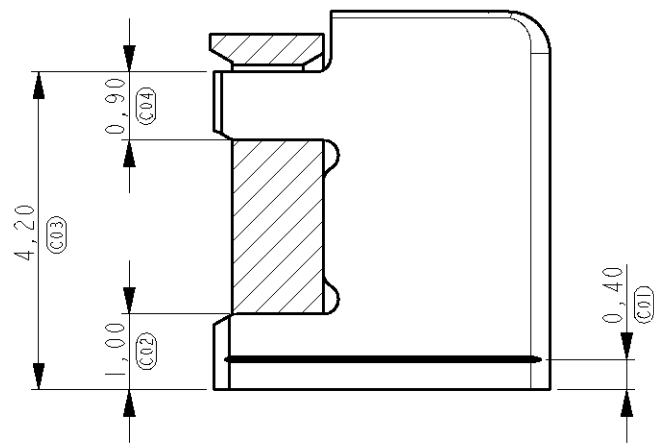
LOC	DIST	REVISIONS					
		P	LTR	DESCRIPTION	DATE	DWN	APVD
H	-		M	ECR-07-015233	21NOV2007	PW	DH
			N	ECR-08-016233	26JUN2008	PW	DH

NOTES:

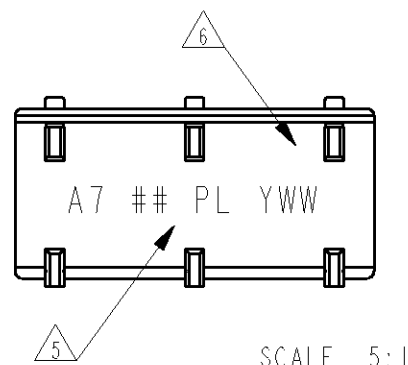
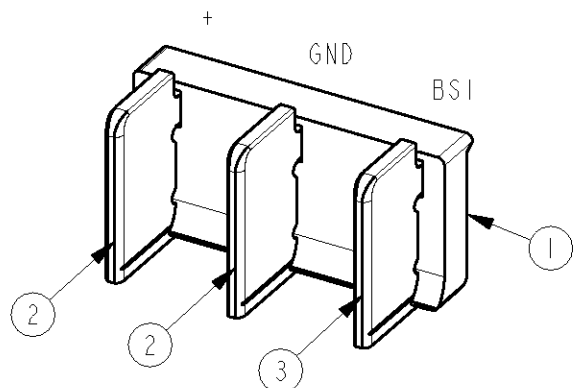
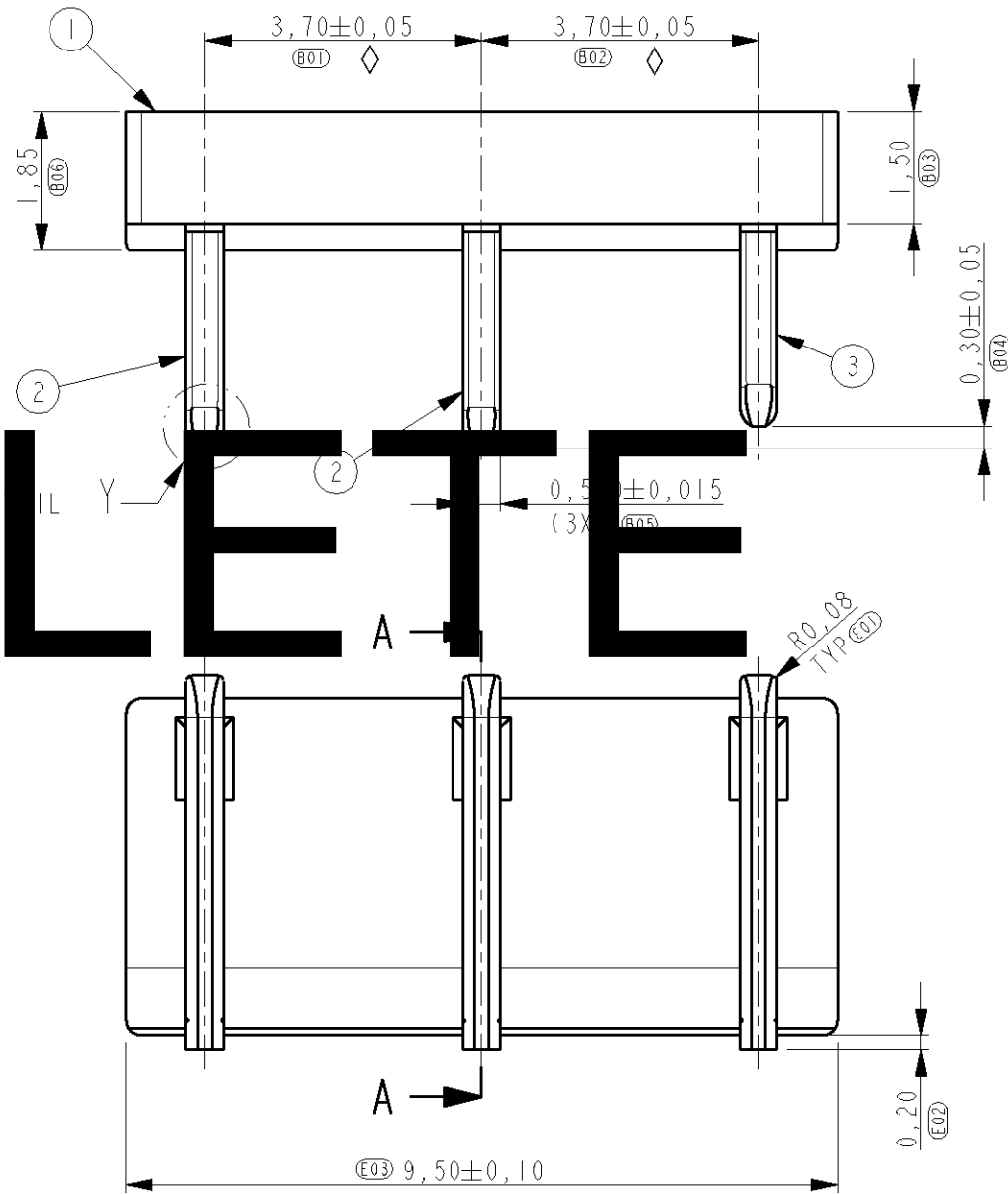
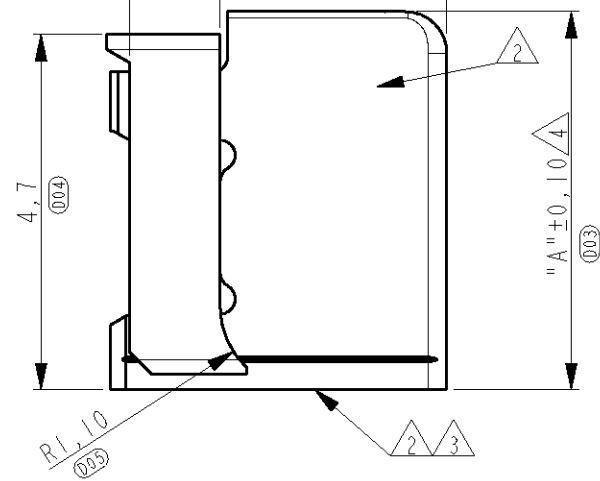
- 1 DRAWING REPRESENTS PART VERSION "A7".
- 2 PLATING:
 1,2µm MIN. NICKEL ALL OVER
 0,8µm MIN. GOLD ON CONTACT AREA
 0,1 - 0,3µm GOLD ON SOLDER AREA
- 3 COPLANARITY OF SOLDER SURFACES 0,08 MAX.
- 4 DIMENSION DEPENDS ON DISTANCE BETWEEN PWB AND BATTERY, SEE TABLE ON SHEET 3.
- 5 MARKING: VERSION (A7), PROCESS ID (##), PRODUCTION LOCATION (PL, GD = GUANGDONG, SH = SHANGHAI), PRODUCTION DATE (YWW, YEAR AND WEEK).
- 6 MARKING: CAVITY ID.



OBSOLETE



SECTION A-A



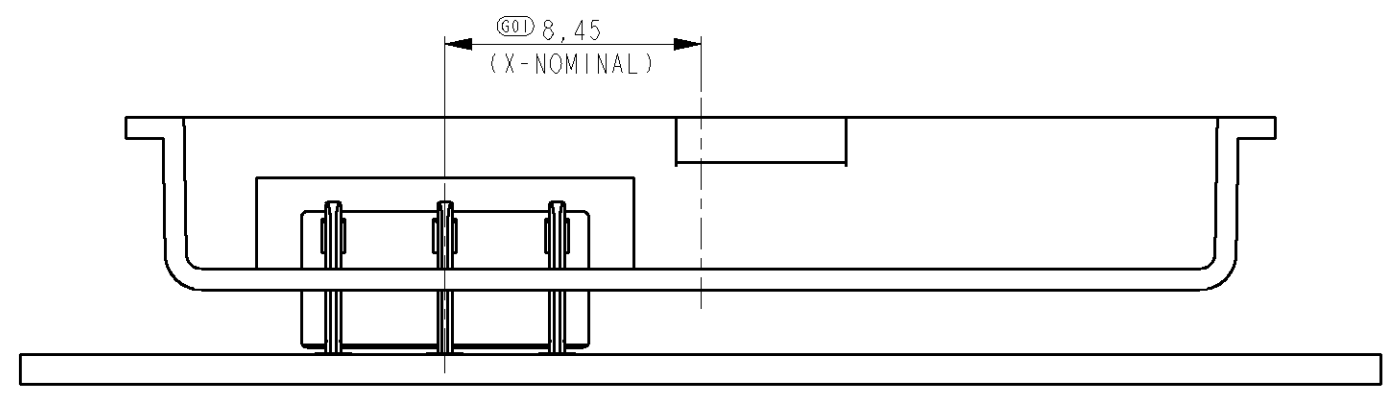
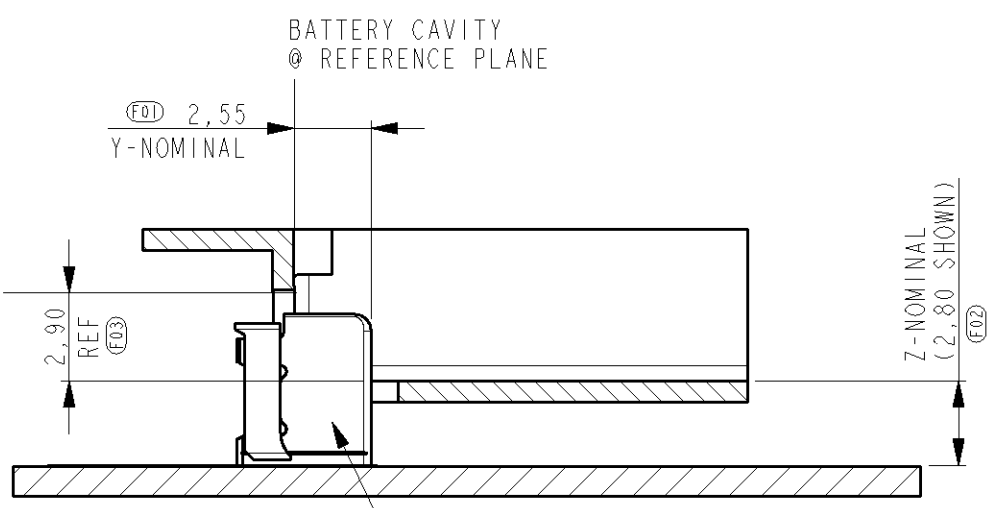
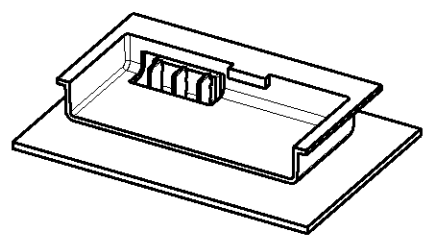
SCALE 5:1

ITEM NO.	DESCRIPTION	MATERIAL	FINISH
3	CONTACT, FIRST BREAK	COPPER ALLOY	GOLD PLATED
2	CONTACT, LAST BREAK	COPPER ALLOY	GOLD PLATED
1	HOUSING	PLASTIC, GF	-

DIMENSIONS: mm 		TOLERANCES UNLESS OTHERWISE SPECIFIED: 0 PLC ± 1 PLC ±0,2 2 PLC ±0,1 3 PLC ± 4 PLC ± ANGLES ±		DWN J. Tuin 13 SEP 04 CHK J. Tuin 13 SEP 04 APVD D. Halberstadt 13 SEP 04 PRODUCT SPEC 108-19276 APPLICATION SPEC 114-19088 WEIGHT -		tyco Electronics TYCO ELECTRONICS NEDERLAND B.V. 's-HERTOGENBOSCH, THE NETHERLANDS	
MATERIAL - FINISH -				NAME PLUG CONNECTOR 3 POSITION BATTERY BLOCK		RESTRICTED TO -	
CUSTOMER DRAWING				SIZE A3 CAGE CODE 00779 DRAWING NO C-1705771		SCALE 10:1 SHEET 1 OF 5 REV NI	

THIS DRAWING IS UNPUBLISHED. RELEASED FOR PUBLICATION
 © COPYRIGHT - BY TYCO ELECTRONICS CORPORATION. ALL RIGHTS RESERVED.

LOC	DIST	REVISIONS				
P	LTR	DESCRIPTION	DATE	DWN	APVD	
H	-	-	-	-	-	
		SEE SHEET 1				

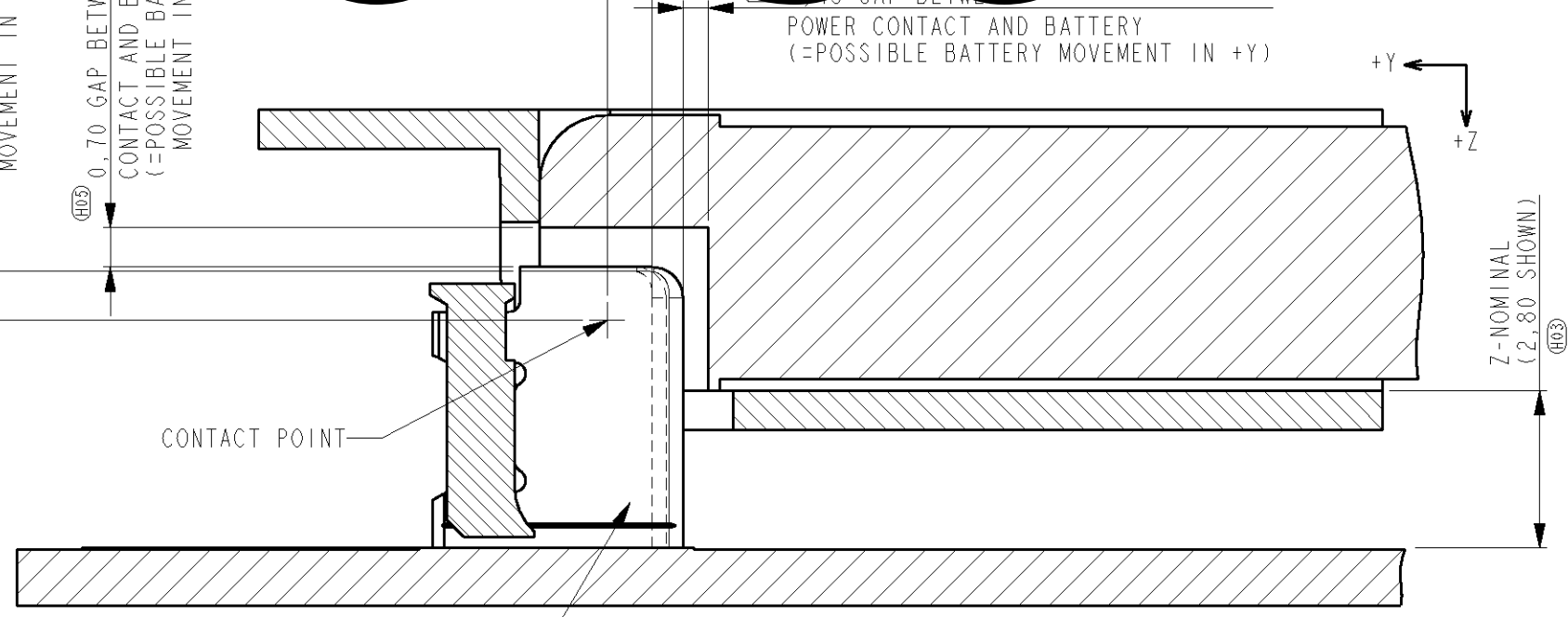


CONNECTOR POSITIONING

OBSOLETE

(H04) 0,85 DISTANCE BETWEEN CONTACT POINT AND LEAD-IN (=POSSIBLE BATTERY MOVEMENT IN -Z)

(H05) 0,70 GAP BETWEEN CONTACT AND BATTERY (=POSSIBLE BATTERY MOVEMENT IN +Z)



WORKING RANGE:
 (PERMITTED BATTERY MOVEMENT)

IN X-DIRECTION 0,50 SYMMETRICAL

IN Y-DIRECTION 1,25 TOTAL
 IN -Y-DIRECTION 0,80
 (BATTERY LENGTH TOLERANCE, PHONE CASE TOLERANCE, ASSEMBLY TOLERANCE, PHONE FLEXIBILITY)
 IN +Y-DIRECTION 0,45
 (ASSEMBLY TOLERANCE, PHONE FLEXIBILITY)

IN Z-DIRECTION 1,55 TOTAL
 IN -Z-DIRECTION 0,85
 (BATTERY FRONT TOLERANCE, PHONE CASE TOLERANCE, PHONE FLEXIBILITY)
 IN +Z-DIRECTION 0,70
 (PHONE CASE TOLERANCE, PHONE FLEXIBILITY)

THESE VALUES APPLY IF Z-NOMINAL IS IN THE CENTER OF THE RANGE SPECIFIED FOR THE PLUG (AS SHOWN HERE).

WORKING RANGE

SCALE 8:1

2-1705771-5 SHOWN

THIS DRAWING IS A CONTROLLED DOCUMENT FOR TYCO ELECTRONICS CORPORATION. IT IS SUBJECT TO CHANGE AND THE CONTROLLING ENGINEERING ORGANIZATION SHOULD BE CONTACTED FOR THE LATEST REVISION.

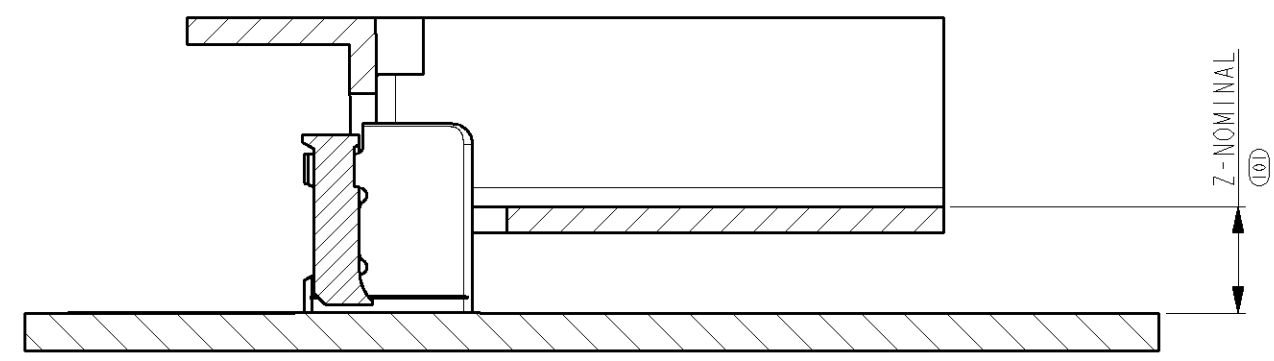
DIMENSIONS:	TOLERANCES UNLESS OTHERWISE SPECIFIED:
mm	
	0 PLC ±-
	1 PLC ±0,2
	2 PLC ±0,1
	3 PLC ±-
	4 PLC ±-
	ANGLES ±-
MATERIAL -	FINISH -

DWN	J. Tuin	13 SEP 04
CHK	J. Tuin	13 SEP 04
APVD	D. Halberstadt	13 SEP 04
PRODUCT SPEC	108-19276	
APPLICATION SPEC	114-19088	
WEIGHT	-	
CUSTOMER DRAWING		

tyco Electronics		TYCO ELECTRONICS NEDERLAND B.V. 's-HERTOGENBOSCH, THE NETHERLANDS	
NAME PLUG CONNECTOR 3 POSITION BATTERY BLOCK			
SIZE	CAGE CODE	DRAWING NO	RESTRICTED TO
A3	00779	C-1705771	-
SCALE 10:1		SHEET 2 OF 5	REV NI

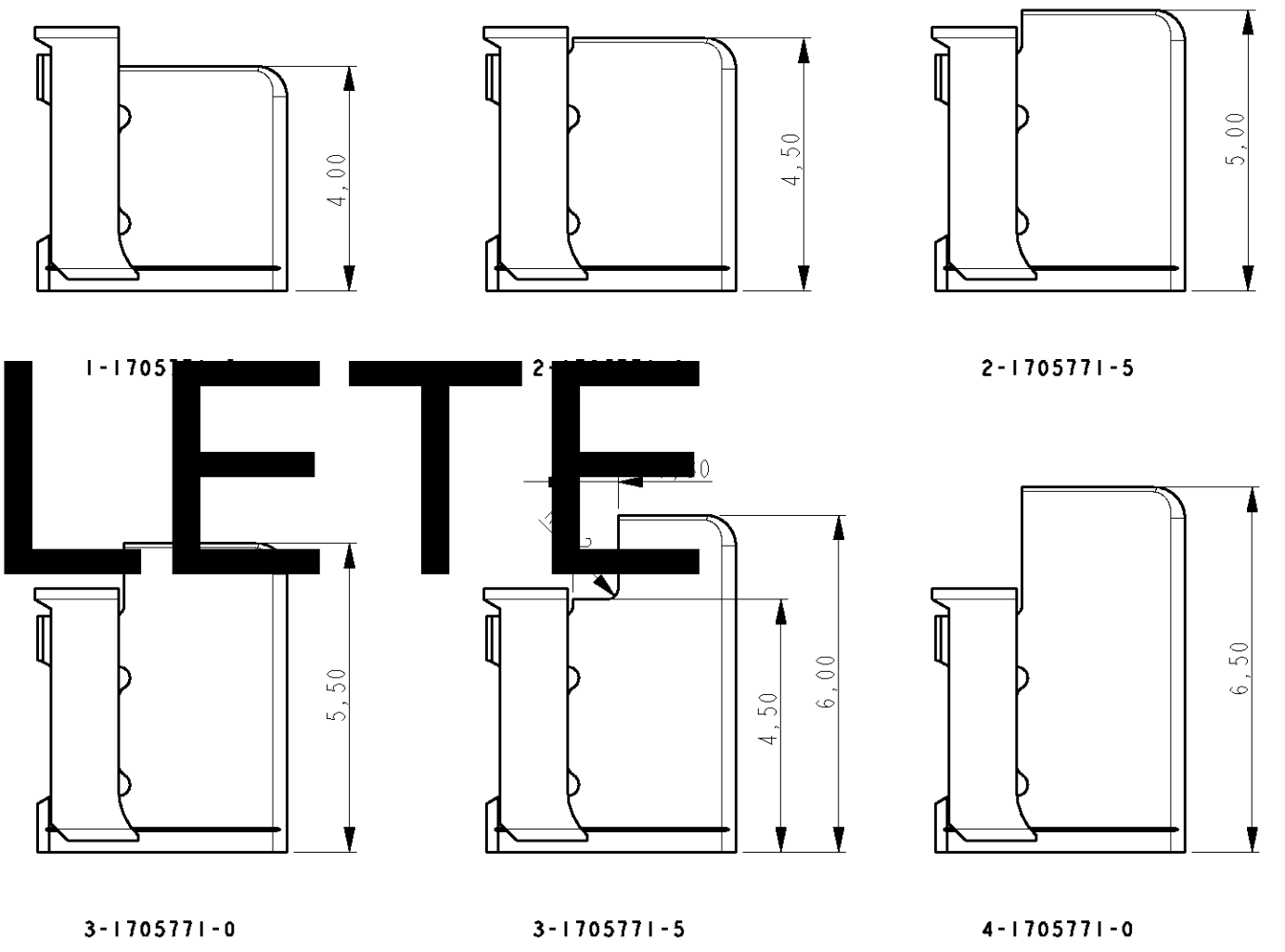
THIS DRAWING IS UNPUBLISHED. RELEASED FOR PUBLICATION
 © COPYRIGHT - BY TYCO ELECTRONICS CORPORATION. ALL RIGHTS RESERVED.

LOC	DIST	REVISIONS			
P	LTR	DESCRIPTION	DATE	DWN	APVD
H	-	SEE SHEET 1	-	-	-



NMP CODE	PART NUMBER	Z-NOMINAL RANGE	DIMENSION "A"	MASS [mg]
△	(0-1857071-1)	=>0 (0,0 - 0,0)	(2,70)	
△	(0-1857071-5)	>0,5 (0,6 - 0,0)	(3,00)	
△	(1-1857071-0)	>1,0 (1,1 - 1,5)	(3,50)	
5469643	1-1705771-5	>1,5 (1,6 - 2,0)	4,00	266
5469521	2-1705771-0	>2,0 (2,1 - 2,5)	4,50	282
5469471	2-1705771-5	>2,5 (2,6 - 3,0)	5,00	
5469645	3-1705771-0	>3,0 (3,1 - 3,5)	5,50	320
5469647	3-1705771-5	>3,5 (3,6 - 4,0)	6,00	322
5469649	4-1705771-0	>4,0 (4,1 - 4,5)	6,50	355

OBSOLETE



PRODUCT SELECTION

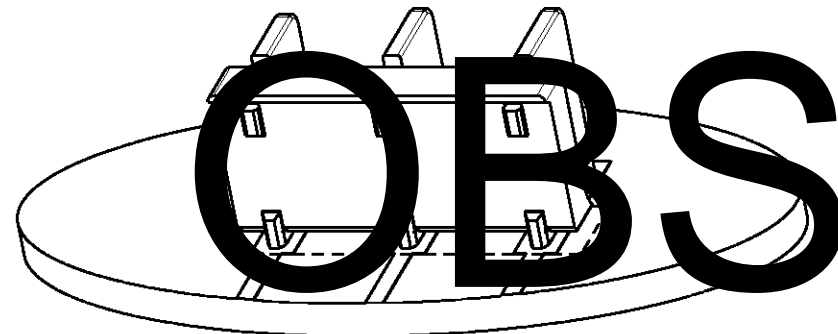
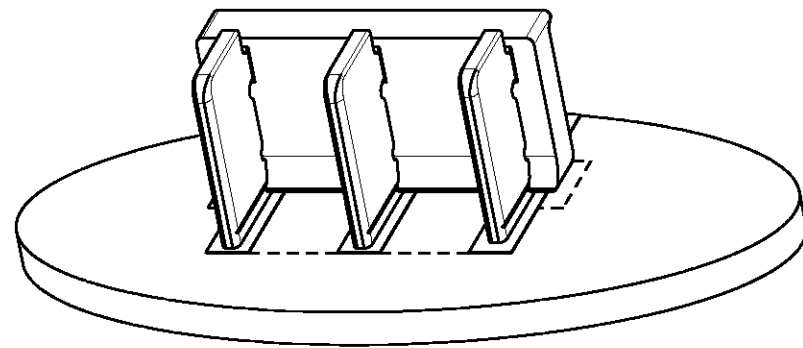
NOTES:

△ FOR DETAILS SEE DRAWING 1857071.

<small>THIS DRAWING IS A CONTROLLED DOCUMENT FOR TYCO ELECTRONICS CORPORATION IT IS SUBJECT TO CHANGE AND THE CONTROLLING ENGINEERING ORGANIZATION SHOULD BE CONTACTED FOR THE LATEST REVISION.</small>		DWN J. Tuin 13 SEP 04 CHK J. Tuin 13 SEP 04 APVD D. Halberstadt 13 SEP 04		tyco Electronics		TYCO ELECTRONICS NEDERLAND B.V. 's-HERTOGENBOSCH, THE NETHERLANDS	
DIMENSIONS: mm		TOLERANCES UNLESS OTHERWISE SPECIFIED: 0 PLC ±- 1 PLC ±0,2 2 PLC ±0,1 3 PLC ±- 4 PLC ±- ANGLES ±-		PRODUCT SPEC 108-19276		NAME PLUG CONNECTOR 3 POSITION BATTERY BLOCK	
MATERIAL -		FINISH -		APPLICATION SPEC 114-19088		SIZE A3 CAGE CODE 00779 DRAWING NO C-1705771 RESTRICTED TO -	
CUSTOMER DRAWING				SCALE 10:1		SHEET 3 OF 5 REV NI	

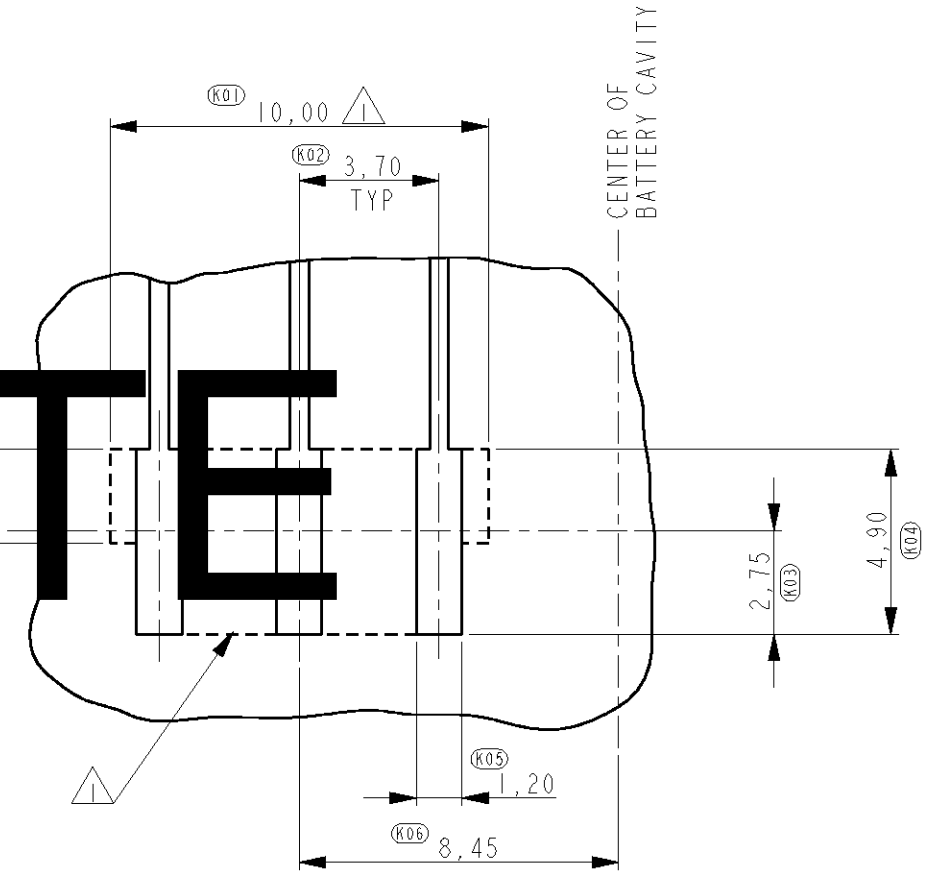
THIS DRAWING IS UNPUBLISHED. RELEASED FOR PUBLICATION
 © COPYRIGHT - BY TYCO ELECTRONICS CORPORATION. ALL RIGHTS RESERVED.

LOC	DIST	REVISIONS				
P	LTR	DESCRIPTION	DATE	DWN	APVD	
H	-	SEE SHEET 1	-	-	-	



OBSOLETE

BATTERY CAVITY
 REFERENCE PLANE
 (SEE SHEET 2)



NOTES:

△ AREA FREE OF SOLDER SCREEN.

<small>THIS DRAWING IS A CONTROLLED DOCUMENT FOR TYCO ELECTRONICS CORPORATION IT IS SUBJECT TO CHANGE AND THE CONTROLLING ENGINEERING ORGANIZATION SHOULD BE CONTACTED FOR THE LATEST REVISION.</small>		DWN J. Tuin 13 SEP 04 CHK J. Tuin 13 SEP 04 APVD D. Halberstadt 13 SEP 04		tyco TYCO ELECTRONICS NEDERLAND B.V. Electronics 's-HERTOGENBOSCH, THE NETHERLANDS	
DIMENSIONS: mm		TOLERANCES UNLESS OTHERWISE SPECIFIED: 0 PLC ±- 1 PLC ±0,2 2 PLC ±0,1 3 PLC ±- 4 PLC ±- ANGLES ±-		NAME PLUG CONNECTOR 3 POSITION BATTERY BLOCK	
		MATERIAL - FINISH -		PRODUCT SPEC 108-19276 APPLICATION SPEC 114-19088 WEIGHT -	
		CUSTOMER DRAWING		SIZE A3 CAGE CODE 00779 DRAWING NO C-1705771 RESTRICTED TO -	
		SCALE 10:1		SHEET 4 OF 5 REV NI	

THIS DRAWING IS UNPUBLISHED. RELEASED FOR PUBLICATION

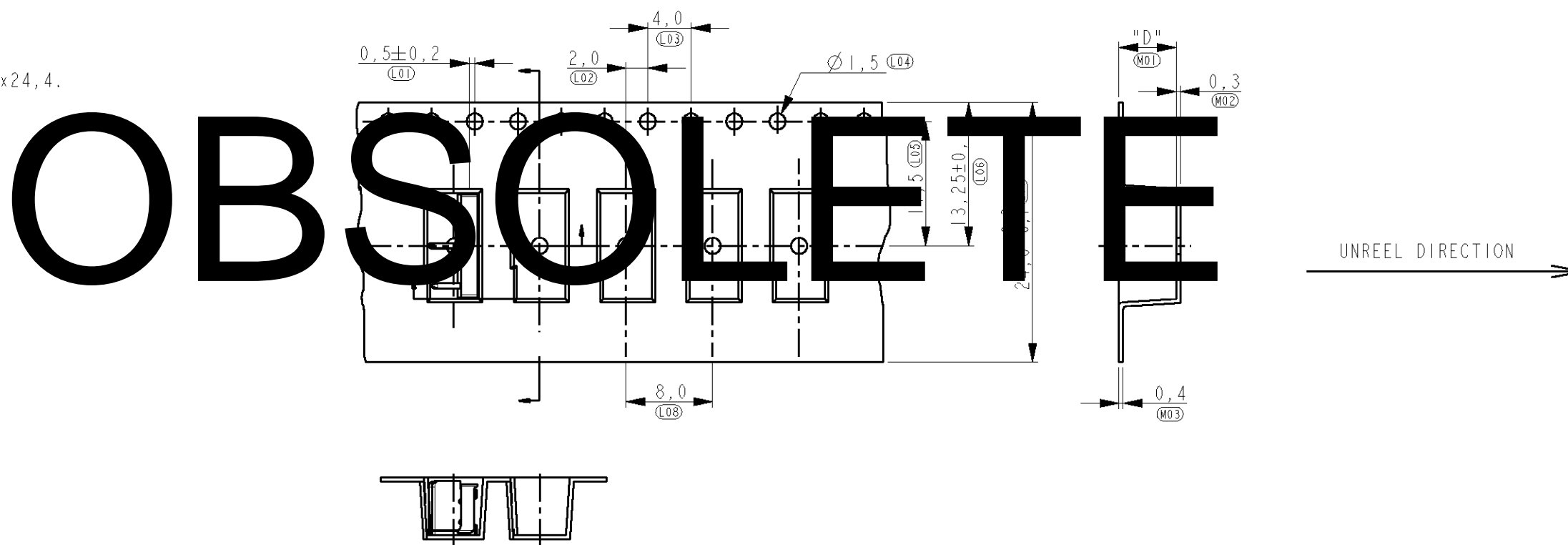
© COPYRIGHT - BY TYCO ELECTRONICS CORPORATION. ALL RIGHTS RESERVED.

LOC	DIST	REVISIONS			
P	LTR	DESCRIPTION	DATE	DWN	APVD
		SEE SHEET 1	-	-	-

PART NUMBER	QUANTITY PER REEL	DIMENSION "D"±0,2
1-1705771-5	1300	5,3
2-1705771-0	1300	5,3
2-1705771-5	1300	5,3
3-1705771-0	1000	7,1
3-1705771-5	1000	7,1
4-1705771-0	1000	7,1

NOTES:

1 REEL DIMENSION: 330x101x24,4.



<small>THIS DRAWING IS A CONTROLLED DOCUMENT FOR TYCO ELECTRONICS CORPORATION IT IS SUBJECT TO CHANGE AND THE CONTROLLING ENGINEERING ORGANIZATION SHOULD BE CONTACTED FOR THE LATEST REVISION.</small>		DWN J. Tuin 13 SEP 04 CHK J. Tuin 13 SEP 04 APVD D. Halberstadt 13 SEP 04				TYCO ELECTRONICS NEDERLAND B.V. 's-HERTOGENBOSCH, THE NETHERLANDS	
DIMENSIONS: mm		TOLERANCES UNLESS OTHERWISE SPECIFIED: 0 PLC ±- 1 PLC ±0,2 2 PLC ±0,1 3 PLC ±- 4 PLC ±- ANGLES ±-		PRODUCT SPEC 108-19276 APPLICATION SPEC 114-19088 WEIGHT -		NAME PLUG CONNECTOR 3 POSITION BATTERY BLOCK	
MATERIAL - FINISH -		CUSTOMER DRAWING		SIZE A3 CAGE CODE 00779 DRAWING NO. C-1705771		RESTRICTED TO -	
				SCALE 10:1		SHEET 5 OF 5 REV NI	