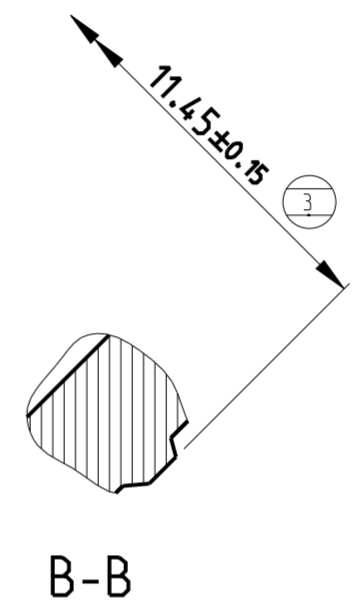
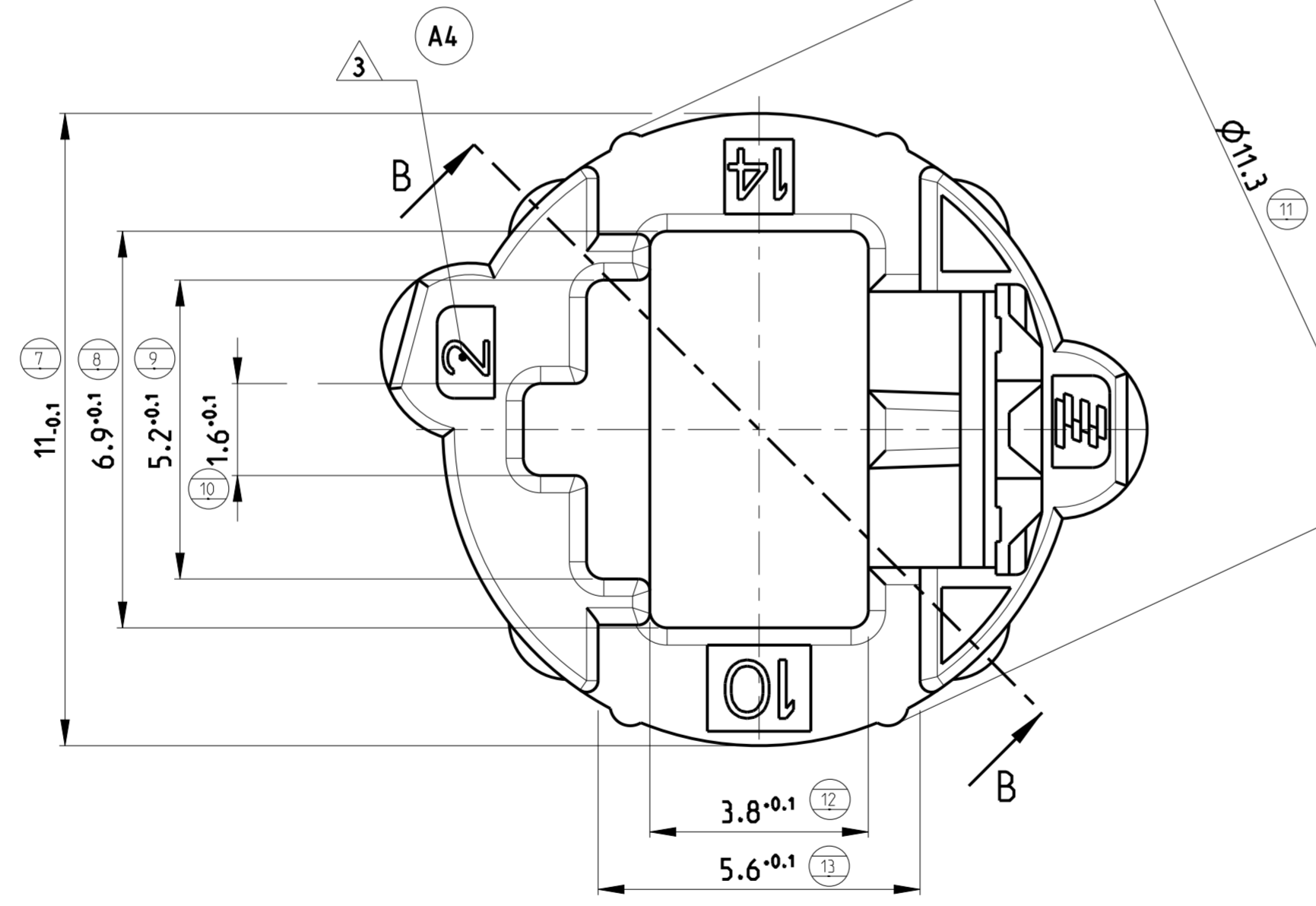
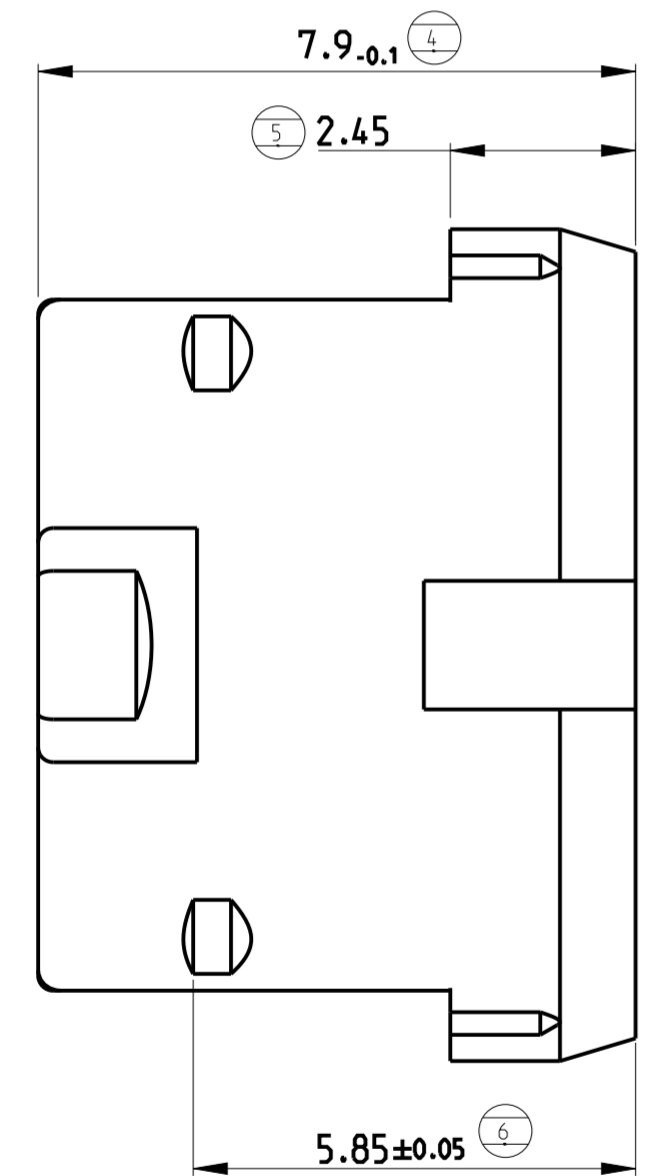
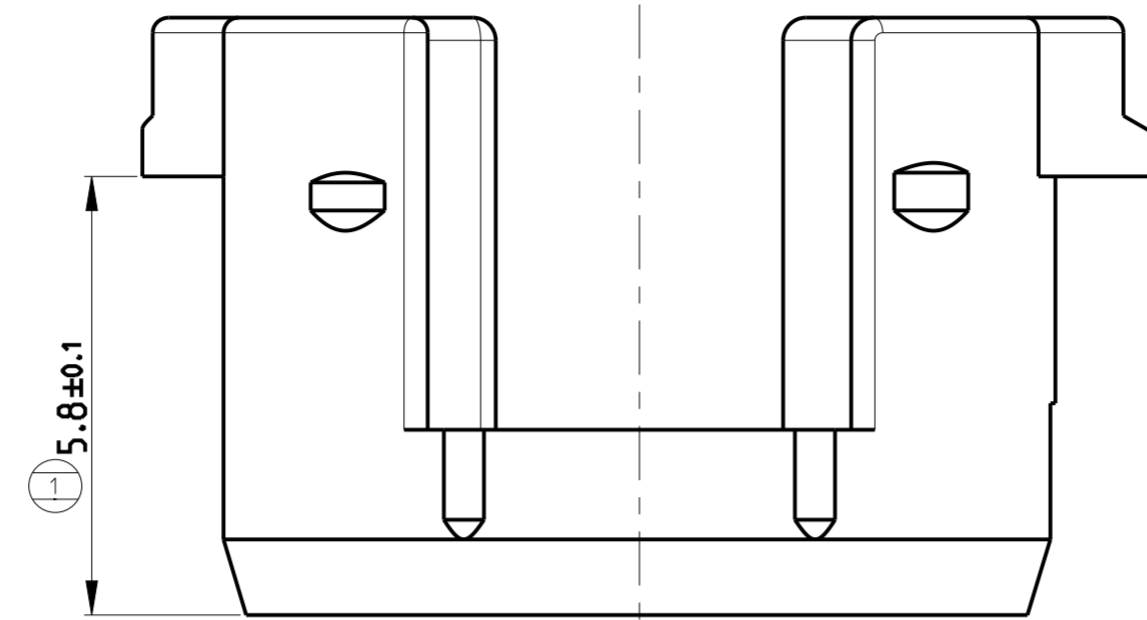
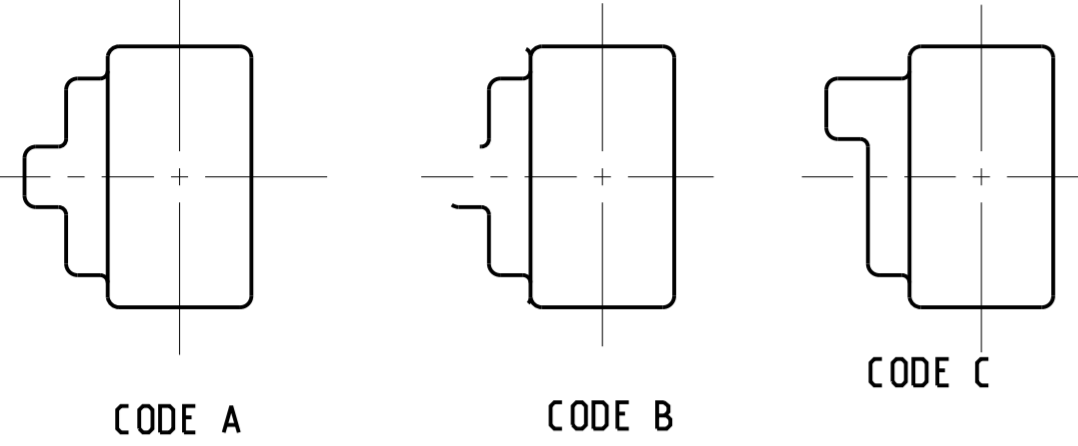


THIS DRAWING IS UNPUBLISHED. RELEASED FOR PUBLICATION 2009
 (C) COPYRIGHT 2009 ALL RIGHTS RESERVED.

LOC	DIST	REVISIONS			
P	LTR	DESCRIPTION	DATE	DWN	APVD
A3		ECR-11-007201	06APR2011	SPB	JM
A4		ECR-14-015672	21OCT2014	OP	XR

SECTION A-A

CODINGS
SCALE 5:1



ASSEMBLY No.	CODE	DESCRIPTION	MATERIAL	COLOUR	RAL NO
3-1703885-2	C	SCR HOUSING	10% G.F. PBT	ORANGE	2007
3-1703885-1	C			BLUE	5012
2-1703885-2	B			GREY	7037
2-1703885-1	B			GREEN	6032
1-1703885-6	A			GREEN	6032
1-1703885-5	A			PURPLE	4006
1-1703885-4	A			RED	3000
1-1703885-3	A			YELLOW	1016
1-1703885-2	A			BLUE	5012
1-1703885-1	A			BLACK	9012

NOTES:

- 1. GENERAL TOLERANCE UNLESS OTHERWISE STATED ± 0.1mm
- 2. PACKAGING - LOOSE PIECE
- 3. MOULD IMPRESSION NUMBER

THIS DRAWING IS A CONTROLLED DOCUMENT. DWN PRASAD K 09SEP2009
 CHK J. MARSH 09SEP2009

STE TE Connectivity

NAME: 2 POS. SHORT CIRCUIT SPR. HOUSING

SIZE: A2 CAGE CODE: 00779 DRAWING NO: C-1703885 RESTRICTED TO: -

MATERIAL: SEE TABLE FINISH: - WEIGHT: -

CUSTOMER DRAWING SCALE: 5:1 SHEET 1 OF 1 REV: A4