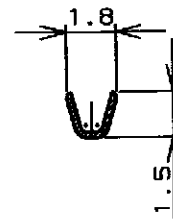
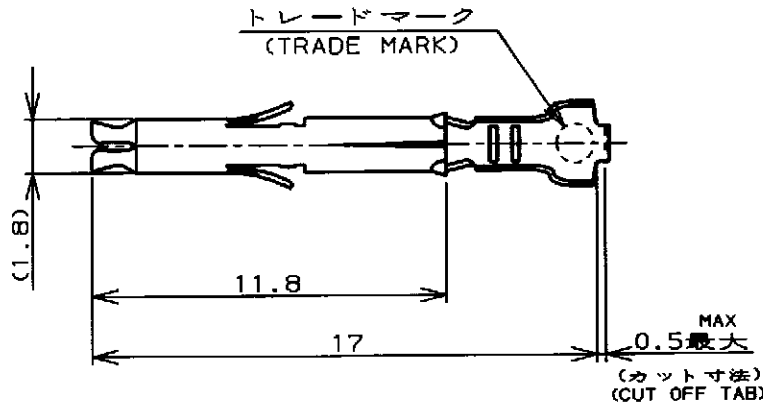


RELEASED FOR PUBLICATION

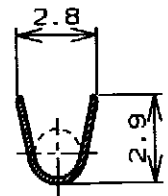
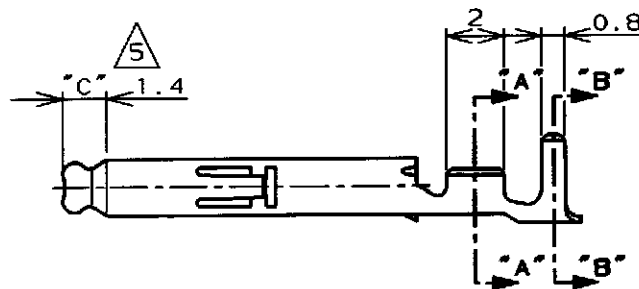
THIS DRAWING IS UNPUBLISHED.

BY \_\_\_\_\_ COPYRIGHT \_\_\_\_\_

LOC	DIST	REVISIONS				DATE	DWN	APVD
J		P	LTR	DESCRIPTION	ECO			
			C			01DEC2020	BDA	SW
			C1			29APR2021	JP	VS



断面 "A" - "A"  
(SECT.)



断面 "B" - "B"  
(SECT.)

NOTES;

1. APPLICABLE HOUSING : CAP AND PLUG.
2. PRODUCT SPECIFICATION 108-5138
3. APPLICATION SPECIFICATION 114-5050
4. INSTRUCTION SHEET IS-105J
5. SELECTIVE GOLD PLATED AREA "C"  
0.0004mm MIN THICK OVER Ni PLATE  
ON INSIDE SURFACE

	錫めつき付・機青銅 (PRE-TIN PHOZ BRO)	-4	-4
	金めつき・黄銅 (GOLD PLATE・BRASS) 5	-3	-3
170359, 170360 170363, 170364	錫めつき付・黄銅 (PRE-TIN BRASS)	170361-1	170365-1
嵌合相手型番 (MATING P/N)	材料・仕上 (MATERIAL・FINISH)	連鎖状端子型番 (STRIP P/N)	型番 (P/N)

WIRE RANGE  
抱合電線断面積  
0.12~0.35mm<sup>2</sup> (AWG #26~#22)

INSULATION DIA  
被覆外径  
1.2~1.75mm

DIMENSIONS  
単位 概  
mm

TOLERANCES UNLESS  
OTHERWISE SPECIFIED:  
一般公差  
 $\pm 0.4, \pm 1^{\circ}0'$

DWN 7. ymanoto 11 JUN 98  
CHK M. Slid 15 JUN 98  
APVD M. Slid 15 JUN 98

PRODUCT SPEC  
製品規格  
注記参照 (SEE NOTES) 2

APPLICATION SPEC  
取付適用規格  
注記参照 (SEE NOTES) 3

WEIGHT

CUSTOMER DRAWING

MATERIAL 表参照 (SEE TABLE) 0.2t  
FINISH 表参照 (SEE TABLE)

**TE** TE Connectivity

NAME  
ミニユニバーサルメイトンロックソケットコンタクトばら状端子  
MINI UNIVERSAL MATE-N-LOK SOCKET CONTACT LOOSE PIECE

SIZE A4 CAGE CODE 00779 DRAWING NO. 番号 C-170365

SCALE 尺度 SHEET 1 OF 1 REV C1