

4

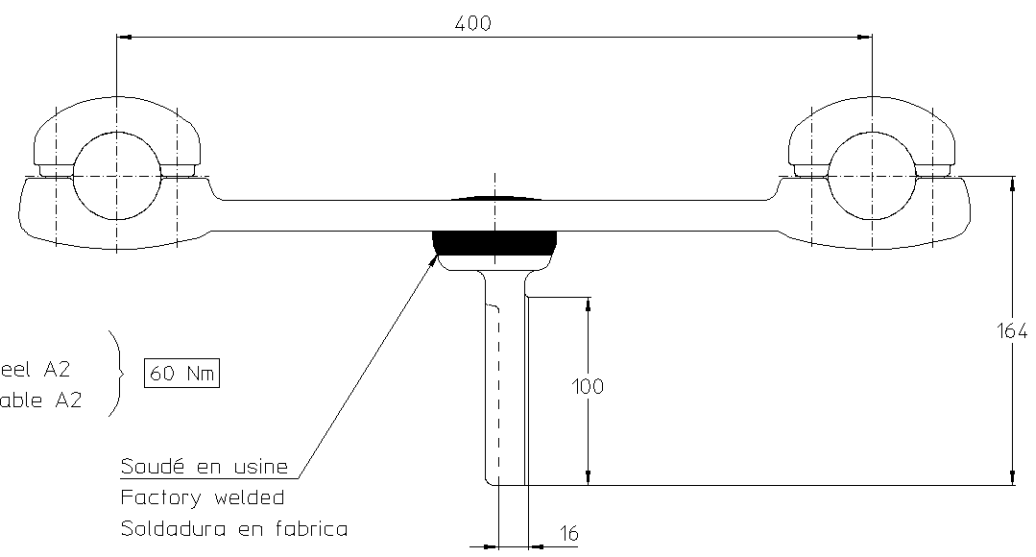
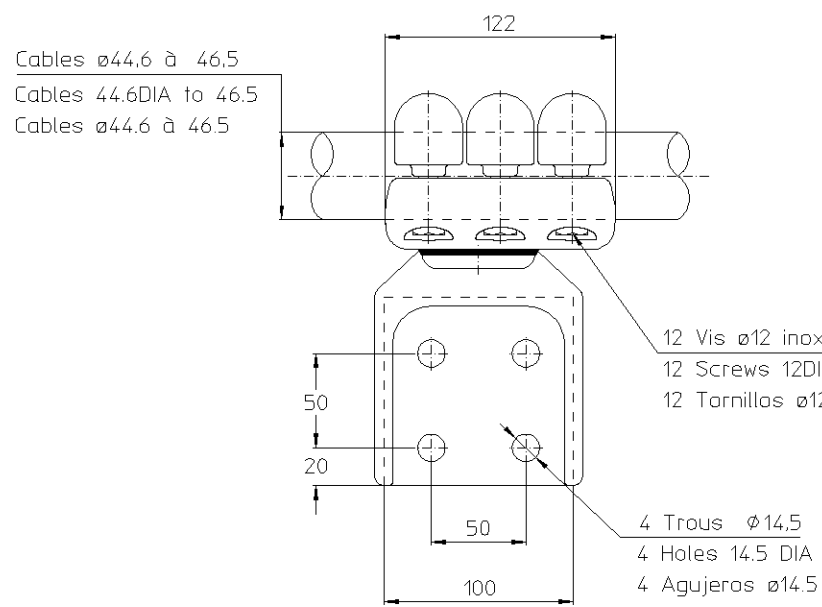
3

2

1

THIS DRAWING IS UNPUBLISHED.  
 DIFFUSION RESEINTE AMP  
 BY AMP INCORPORATED. ALL RIGHTS RESERVED.  
 TOUS DROITS RESERVES

| LOC | DIST    | REVISIONS                 |           |           |           |  |
|-----|---------|---------------------------|-----------|-----------|-----------|--|
| P   | LTR REV | DESCRIPTION MODIFICATIONS | DATE      | DWN DESS. | APVD APP. |  |
|     | 0       | E000-0125-03              | 10-Apr-03 | EN        | HV        |  |



ITEM: ..... ○

|   |  |                                      |           |  |
|---|--|--------------------------------------|-----------|--|
| <small>THIS DRAWING IS A CONTROLLED DOCUMENT FOR AMP INCORPORATED. IT IS SUBJECT TO CHANGE AND THE CONTROLLING ENGINEERING ORGANIZATION SHOULD BE CONTACTED FOR THE LATEST REVISION. CE PLAN EST UN DOCUMENT CONTROLÉ PAR AMP INCORPORATED. IL EST SUSCEPTIBLE D'ÊTRE REVISÉ. CONTACTER LE SERVICE TECHNIQUE D'AMP SIMEL POUR DÉTENER LA DERNIÈRE RÉVISION.</small> |  | DWN /DESSINE NIVOIS                  | 10-Apr-03 | <br><br>21220 Gevrey Chambertin FRANCE |
| DIMENSIONS: mm  |  | CHK /VERIFIE ROYER                   | 10-Apr-03 |  |
| TOLERANCES UNLESS OTHERWISE SPECIFIED PER TOLERANCES NON SPECIFIEES SELON :-  |  | APVD /APPROUVE VIAL                  | -         | NAME TITRE                             |
| MATERIAL MATIERE  |  | PRODUCT SPEC SPEC. PRODUIT 02BFC0041 |           | 4 PF 82 F S465 H C206 ES               |
| FINISH FINITION   |  | APPLICATION SPEC SPEC. APPLICATION   |           | SIZE FORMAT A3                         |
| -   |  | WEIGHT MASSE APPROX. 4.7KG           |           | CAGE CODE 00779                        |
| -   |  | CUSTOMER DWG / PLAN CLIENT           |           | DRAWING NO No PLAN ©=1701839           |
|   |  | UNIQUEMENT POUR REFERENCE            |           | SCALE ECHELLE 1/3                      |
|   |  |                                      |           | SHEET FEUILLE 1 OF 1 DE 1              |
|   |  |                                      |           | REV 0                                  |