

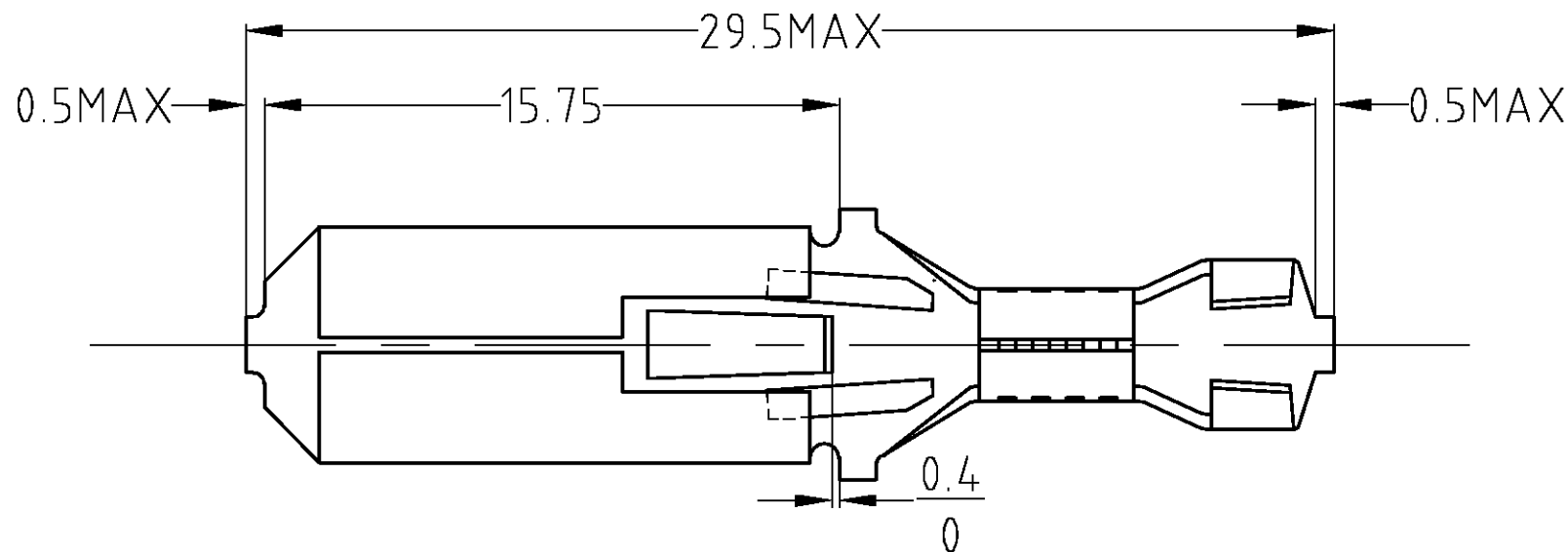
THIS DRAWING IS UNPUBLISHED.

RELEASED FOR PUBLICATION

ALL RIGHTS RESERVED.

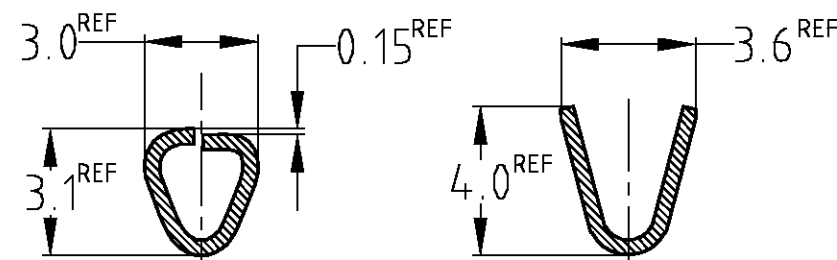
© COPYRIGHT

LOC	DIST	REVISIONS					
		P	LTR	DESCRIPTION	DATE	DWN	APVD
J	-	C2		REVISED PER ECR-21-111759	14SEP21	SS	EW



SECTION B-B

断面B-B



適用型番
APPLICABLE P/N
(P/N1-170153-2)

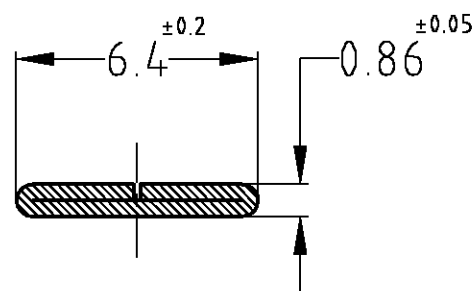
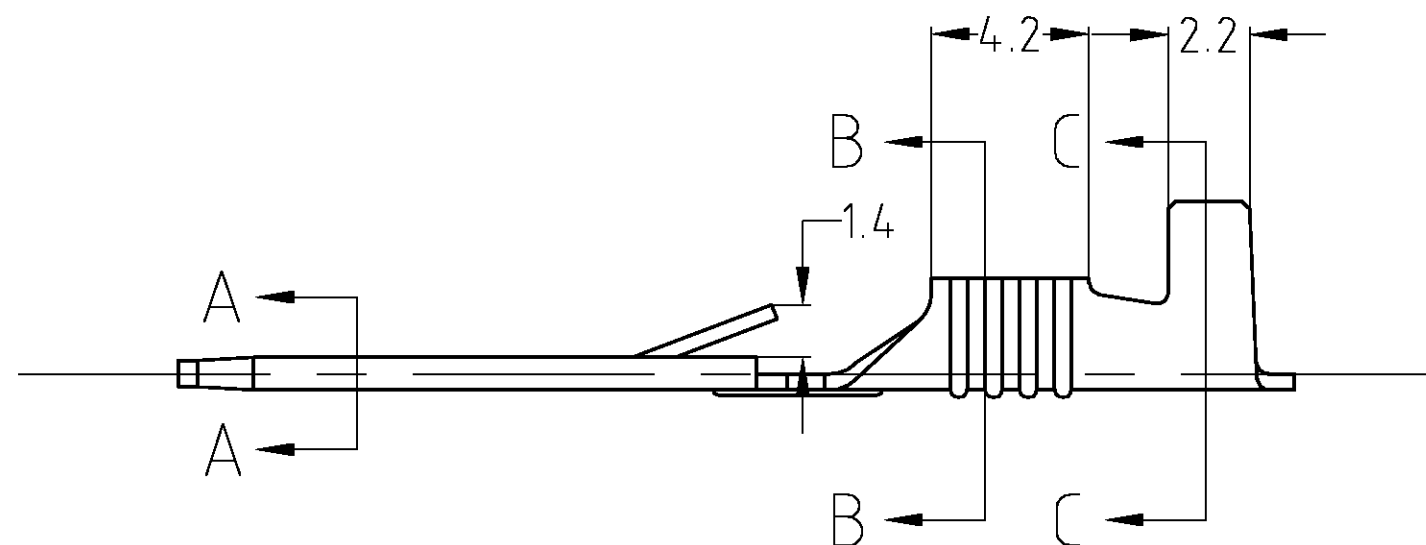
適用型番
APPLICABLE P/N
(P/N170153-1, -2, -3)

注)

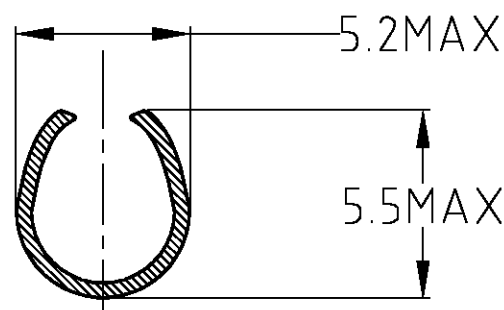
- 1. 適用電線 : AWG18 - AWG14 (0.75~2.27)
- 2. 適用被覆外径 : φ3.1~4.1MM

NOTE)

- 1. APPLICABLE WIRE SIZE : AWG18 - AWG14 (0.75~2.27)
- 2. APPLICABLE WIRE INSULATION : φ3.1~4.1MM



SECTION A-A
断面A-A



SECTION C-C
断面C-C

OBSOLETE	錫めっき	錫めつき済み黄銅 0.41t	170151-2	1-170153-2
	TIN-PLATE	黄銅 0.41t	PRE-TIN BRASS 0.41t	170151-3
仕上げ	錫めつき済み黄銅 0.41t	PRE-TIN BRASS 0.41t	170151-2	170153-2
FINISH	黄銅 0.41t	BRASS 0.41t	170151-1	170153-1
	材料	MATERIAL	連鎖状端子型番 STRIP CONTACT P/N	バラ状端子型番 L.P CONTACT P/N

THIS DRAWING IS A CONTROLLED DOCUMENT.		DWN J.HOSHIBA 02OCT'06	TE Connectivity 250 SERIES FASTIN FASTON TAB(L.P)	
DIMENSIONS: 単位: 概 mm		CHK N.YAMASAKI 16FEB'07		
TOLERANCES UNLESS OTHERWISE SPECIFIED: 一般公差		APVD N.YAMASAKI 16FEB'07	NAME 名称	
0 PLC ± 0.4		PRODUCT SPEC 製品規格 108-5048	DRAWING NO 番号 A300779 C-170153	
1 PLC ± -		APPLICATION SPEC 取付適用規格	RESTRICTED TO	
2 PLC ± -		WEIGHT -	SCALE 尺度 5:1	SHEET 1 OF 1
3 PLC ± -		CUSTOMER DRAWING	REV C2	
4 PLC ± -				
ANGLES ± 1.0				
MATERIAL 材料 SEE TABLE		FINISH 仕上 SEE TABLE		