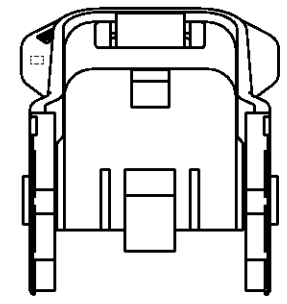
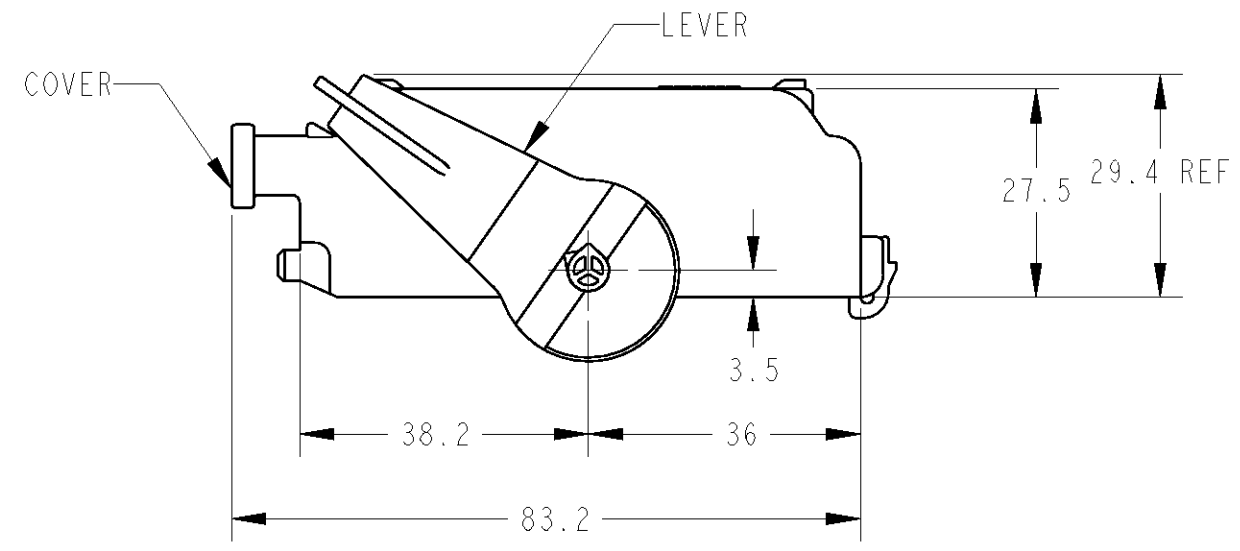
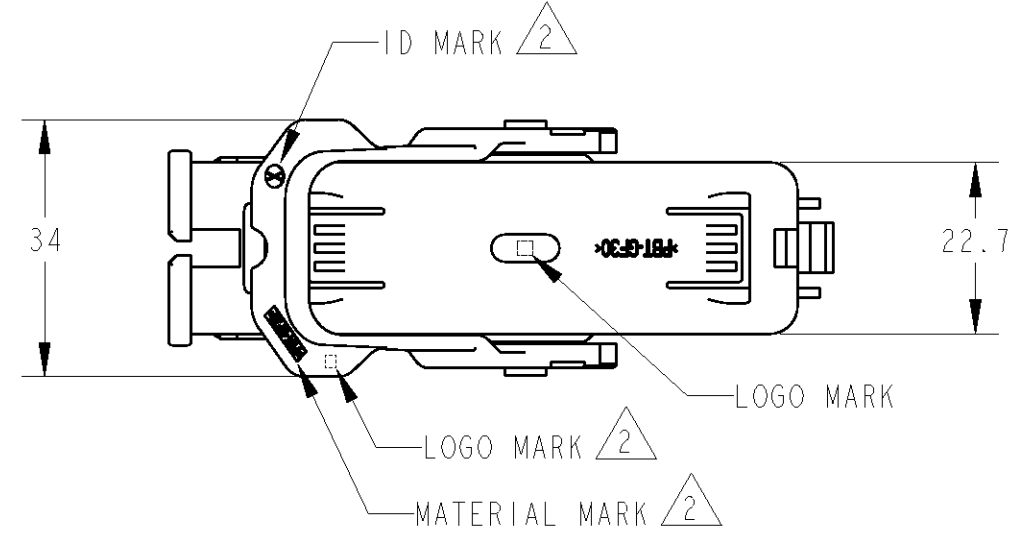
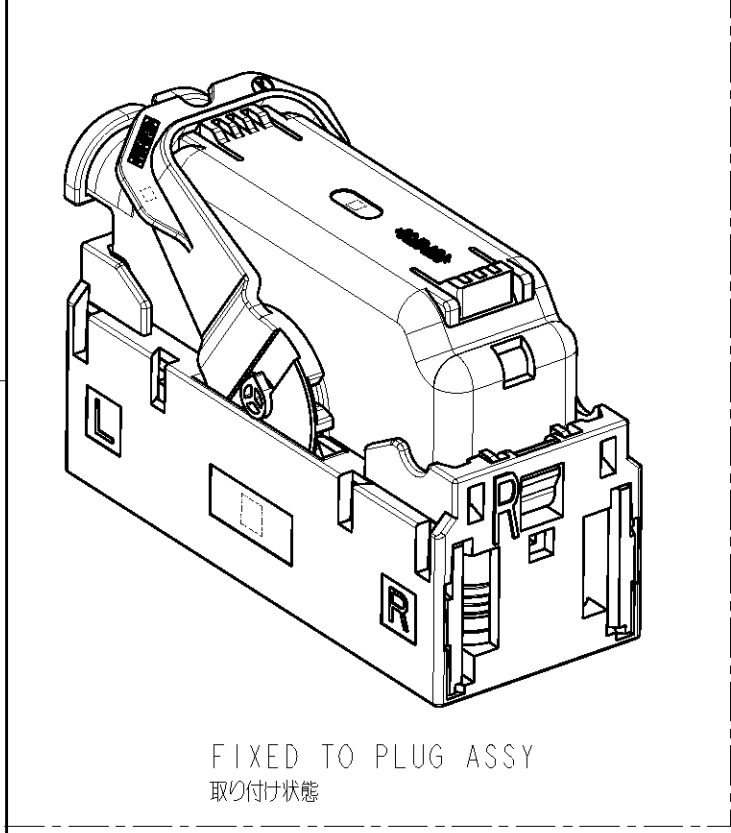


THIS DRAWING IS UNPUBLISHED. RELEASED FOR PUBLICATION 20
 © COPYRIGHT 20 BY TYCO ELECTRONICS CORPORATION. ALL RIGHTS RESERVED.

LOC	DIST	REVISIONS						
J		P	LTR	DESCRIPTION	ECN	DATE	DWN	APVD
			0	RELEASED	FJA0-0364-03	19AUG03	Y.M	H.Y
			A	REVISED	ECR-08-021417	04SEP08	TS	KB
			B	REVISED	ECR-10-007503	14APR10	TS	KB



LEVER	ORANGE	1674719-1
COVER	BLACK	
NAME	COLOR	PART NUMBER

1. 通用 プラグ アッセンブリ 型番:1612683

2. 表示位置がウラ側の場合がある

1. APPLIED PLUG ASSY PART NO:1612683

2. INDICATED POSITION MAY BE IN THE BACK SIDE

THIS DRAWING IS A CONTROLLED DOCUMENT FOR TYCO ELECTRONICS CORPORATION IT IS SUBJECT TO CHANGE AND THE CONTROLLING ENGINEERING ORGANIZATION SHOULD BE CONTACTED FOR THE LATEST REVISION.		DWN Y. MITO 19AUG03 CHK S. AMEMIYA 19AUG03 APVD S. YAMAGAMI 19AUG03		Tyco Electronics Corporation Kawasaki, Japan	
DIMENSIONS: 単位: 概 mm 		TOLERANCES UNLESS OTHERWISE SPECIFIED: 一般公差 ±0.3 0-PLC ± 1-PLC ± 2-PLC ± 3-PLC ± 4-PLC ± ANGLES ±3°		NAME 名称 060/187 PLUG ASSY 26POSITION LEVER ASSY (STRAIGHT TYPE)	
MATERIAL 材料 PBT GF30 FINISH 仕上 SEE TABLE		PRODUCT SPEC 108-5523 APPLICATION SPEC 取付適用規格 114-5126, -5216 WEIGHT		SIZE A3 CAGE CODE 00779 DRAWING NO. 1674719 RESTRICTED TO	
CUSTOMER DRAWING				SCALE 尺度	SHEET OF REV B