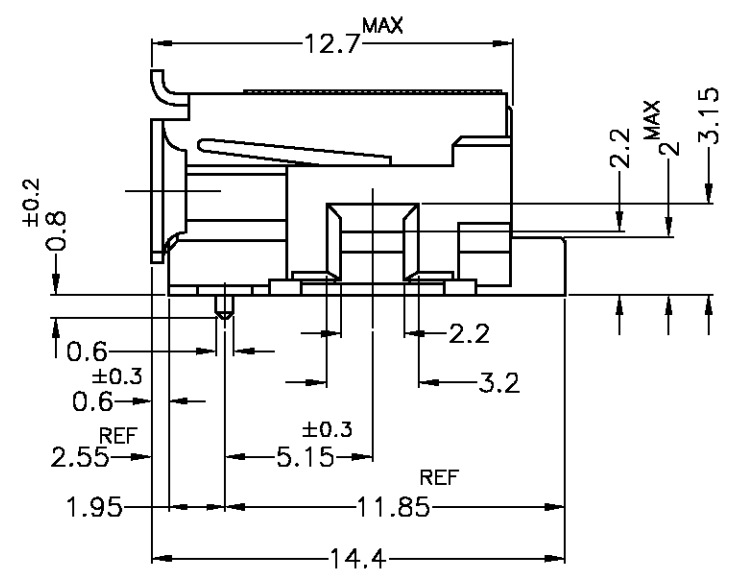
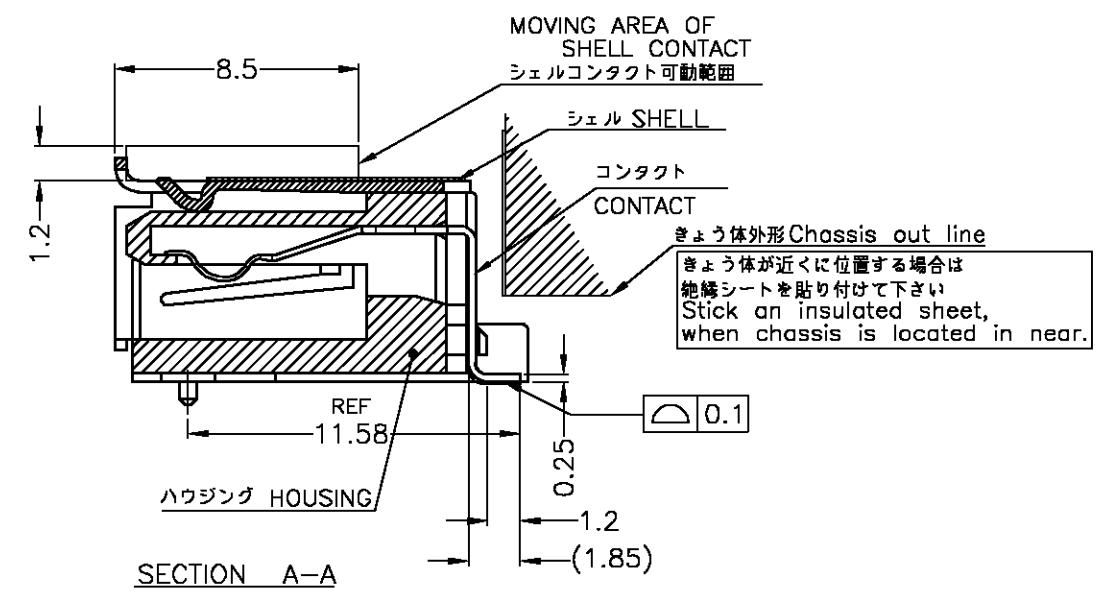
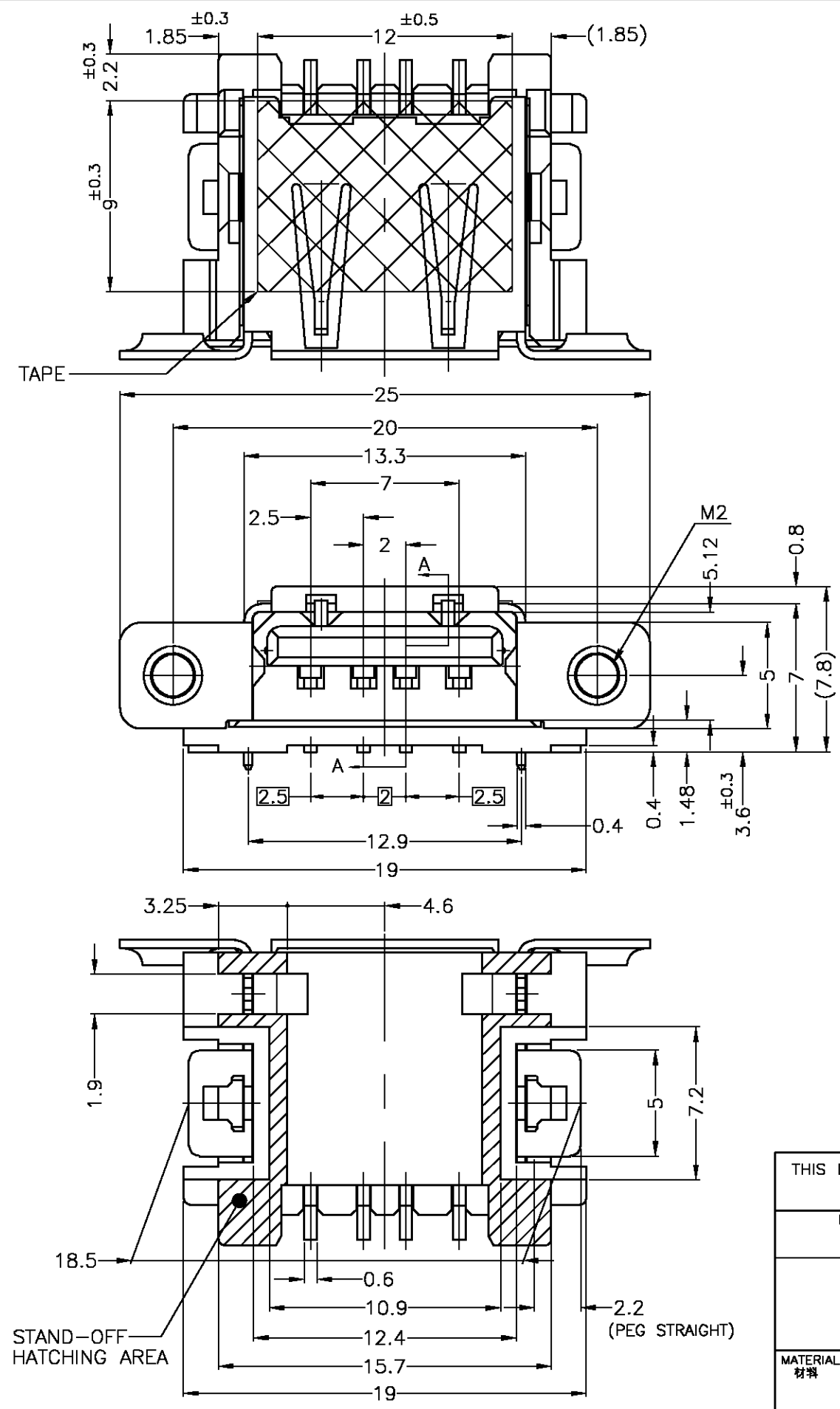


LOC	DIST	REVISIONS					
J	-	P	LTR	DESCRIPTION	DATE	DWN	APVD
			0	RELEASED FJ00-2553-02	12FEB03	N.S	Y.Y



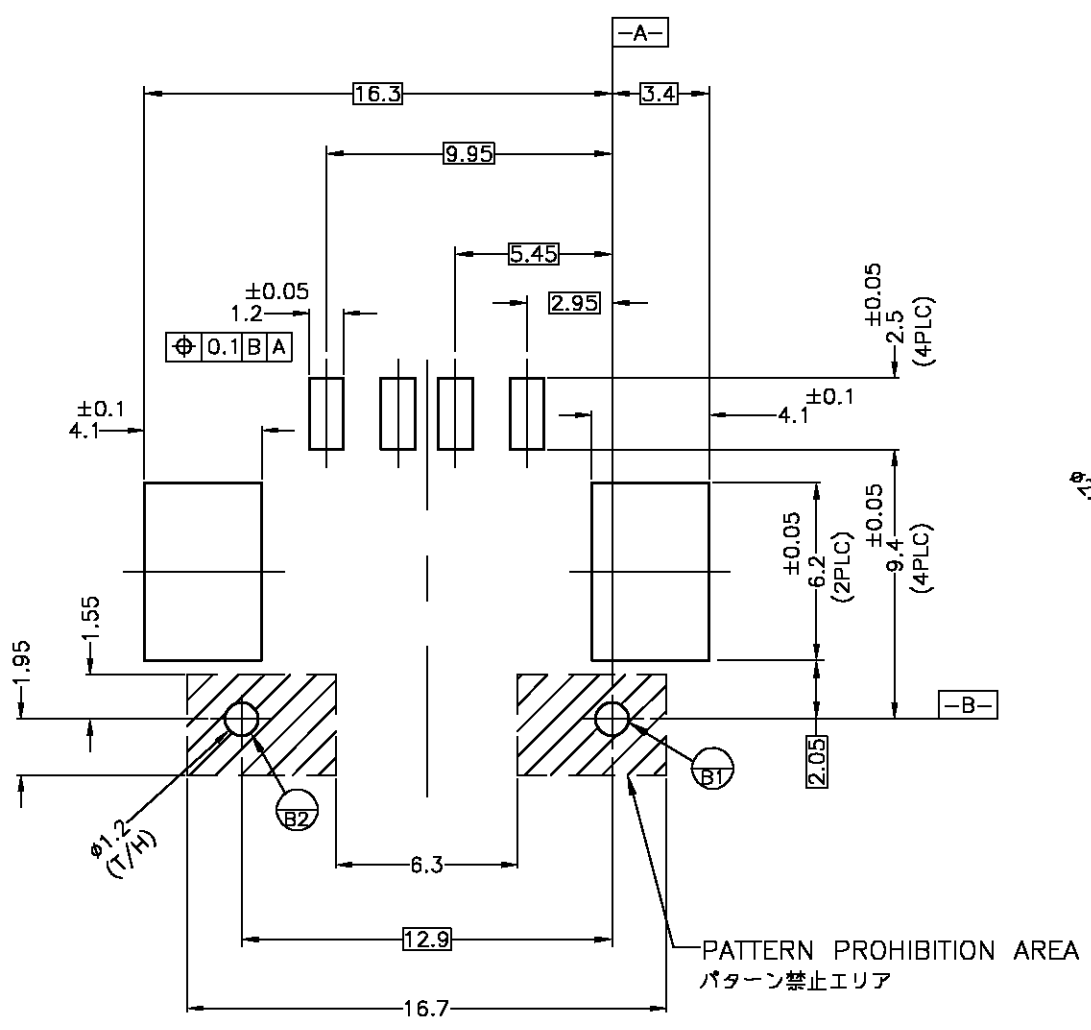
PRODUCING	WITH TAPE	BLACK	1-1674429-2
PRELIMINARY NOT FOR PRODUCTION	WITH TAPE	WHITE	1-1674429-1
TOOLING STATUS	REMARKS	HOUSING COLOR	PART NO.

THIS DRAWING IS A CONTROLLED DOCUMENT.

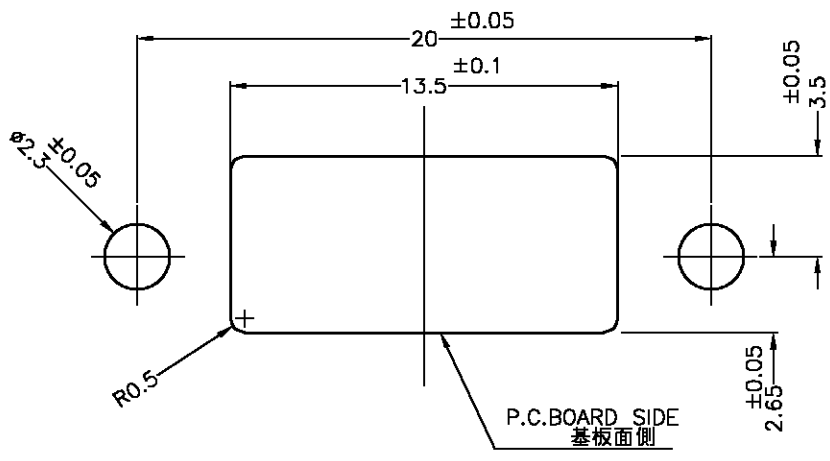
DWN	N.SASAME	07FEB2003		Tyco Electronics AMP K.K.	
CHK	H.SHIRAI	12FEB03		Kawasaki, Japan	
APVD	Y.YAMAMOTO	12FEB03		NAME 名称	
PRODUCT SPEC			RECEPTACLE ASSY R/A SMT		
製品規格			STANDARD TYPE USB CONNECTOR		
108-5563			-		
APPLICATION SPEC			SIZE	CAGE CODE	DRAWING NO
取付適用規格			A3	00779	番号 1674429
WEIGHT			RESTRICTED TO		
CUSTOMER DRAWING			SCALE 4:1 SHEET 1 OF 2 REV 0		

THIS DRAWING IS UNPUBLISHED. RELEASED FOR PUBLICATION  
 © COPYRIGHT 2003 BY TYCO ELECTRONICS CORPORATION. ALL RIGHTS RESERVED.

LOC	DIST	REVISIONS					
		P	LTR	DESCRIPTION	DATE	DWN	APVD
J	-						



REFERENCE DIMENSION OF P.C. BOARD (MOUNTING SIDE)



REFERENCE PANEL DIMENSION

- ① 材料  
 ・ハウジング：耐熱性熱可塑性樹脂、UL94V-0、黒  
 ・コンタクト：銅合金  
 ・フロントシェル：銅合金
- ② 仕上げ  
 ・コンタクト：全面ニッケル下地めっき  
 接触部 金めっき  
 タイプ部 半田めっき  
 ・シェル：半田めっき
3. PRELIMINARYの製品は、製造を確約するものではありません。

- ① MATERIAL  
 HOUSING: THERMO-PLASTICS, UL94V-0, BLACK  
 CONTACT: COPPER ALLOY  
 SHELL: COPPER ALLOY
- ② FINISH  
 CONTACT: NICKEL UNDER PLATE ALL OVER.  
 CONTACT AREA: GOLD PLATE  
 TINE AREA: INE-LEAD PLATING  
 SHELL: TIN-LEAD PLATE
3. PRELIMINARY PRODUCT DOES NOT BE PROMISED MANUFACTURE POSITIVELY.

THIS DRAWING IS A CONTROLLED DOCUMENT.		DWN	<b>tyco</b> Tyco Electronics AMP K.K. Kawasaki, Japan	
DIMENSIONS: 単位：mm		CHK	NAME 名称	
TOLERANCES UNLESS OTHERWISE SPECIFIED: 一般公差		APVD	RECEPTACLE ASSY R/A SMT STANDARD TYPE USB CONNECTOR	
0-PLC ±10 ≥ 1 ±0.2 1-PLC ±30 ≥ 10 ±0.25 2-PLC ±30 ≥ 10 ±0.25 3-PLC ±100 ≥ 30 ±0.3 4-PLC ±100 ≥ 30 ±0.3 ANGLES ±5°		PRODUCT SPEC 製品規格	108-5563	
MATERIAL 材料		APPLICATION SPEC 取付適用規格	SIZE	CAGE CODE
FINISH 仕上		WEIGHT	A3	00779
①		DRAWING NO 番号		RESTRICTED TO
②		C-1674429		
CUSTOMER DRAWING		SCALE 尺度	4:1	SHEET 2 OF 2
				REV 0