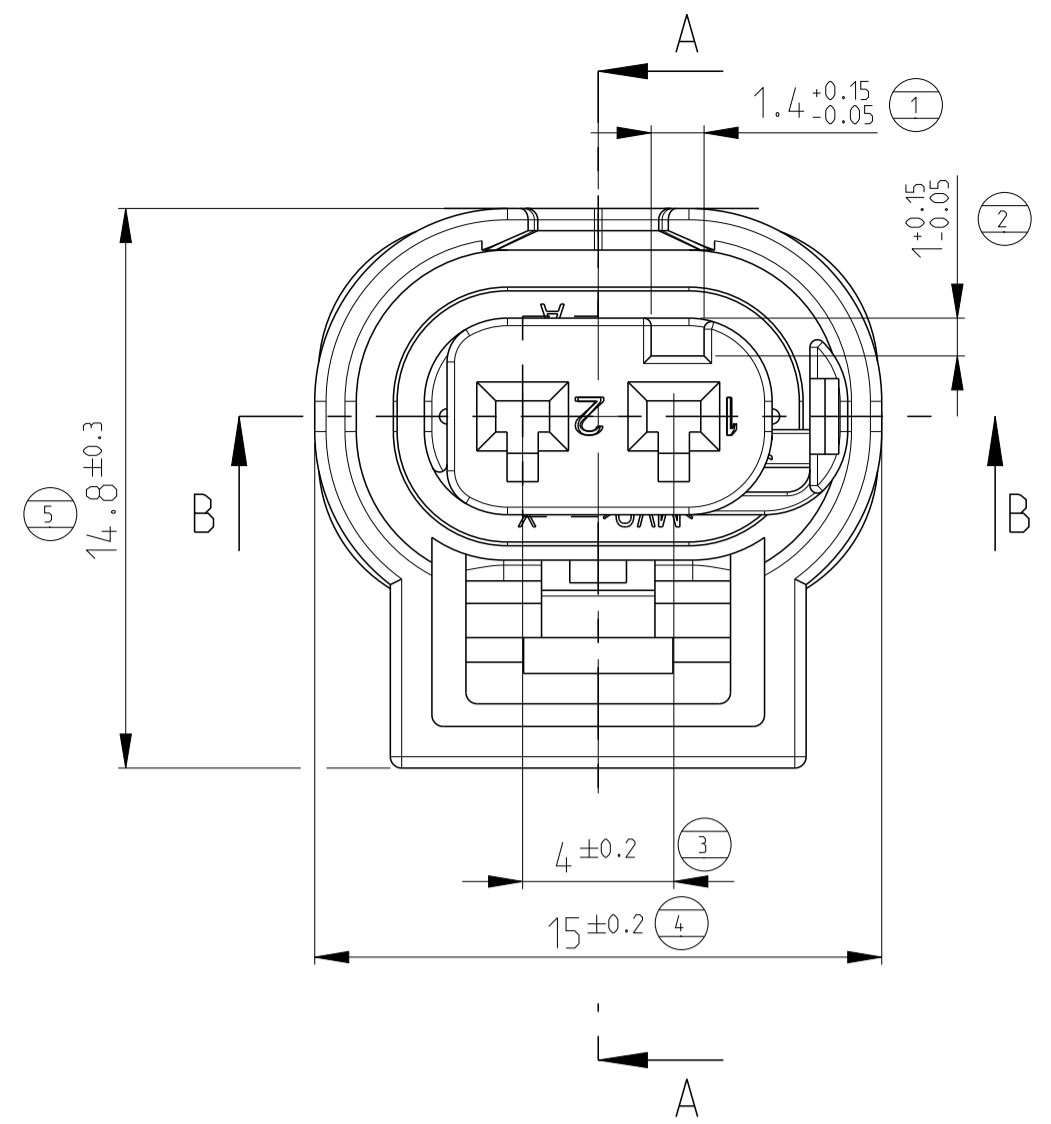
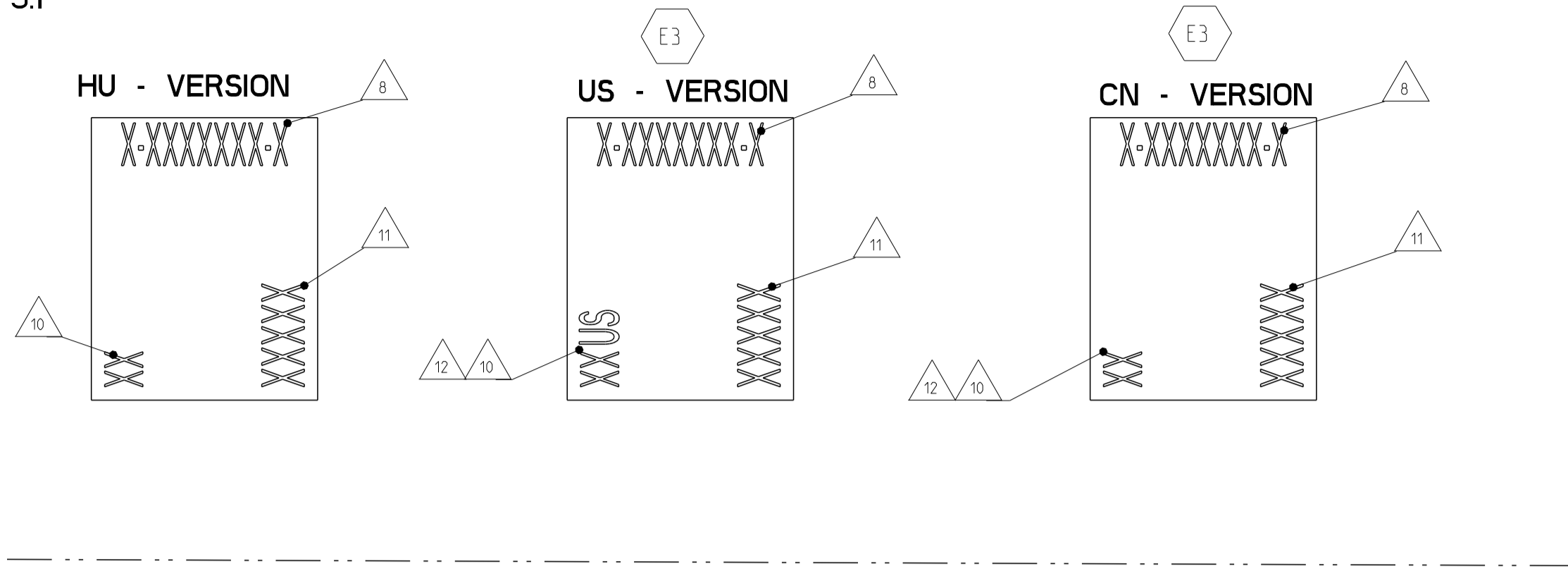
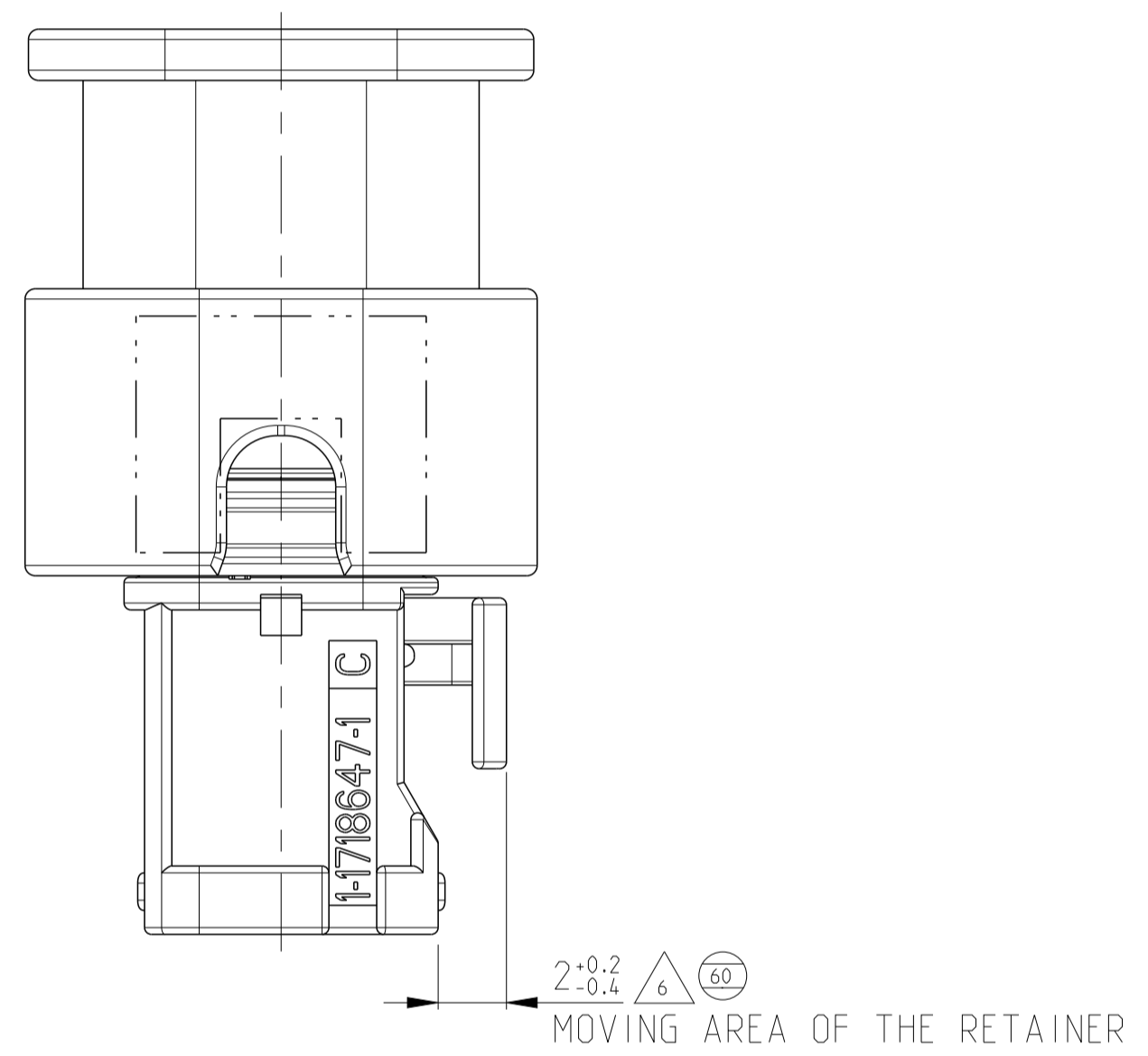
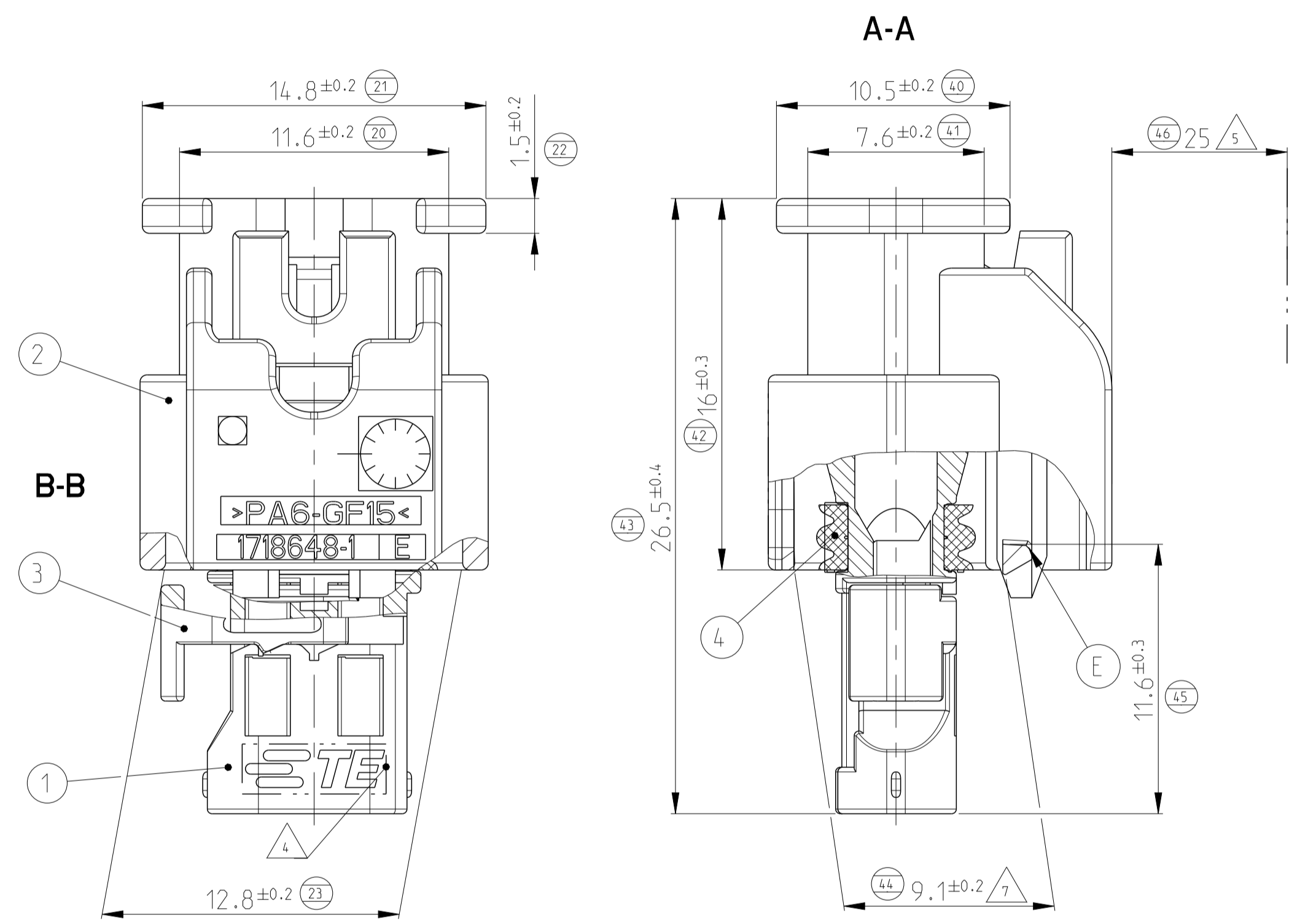
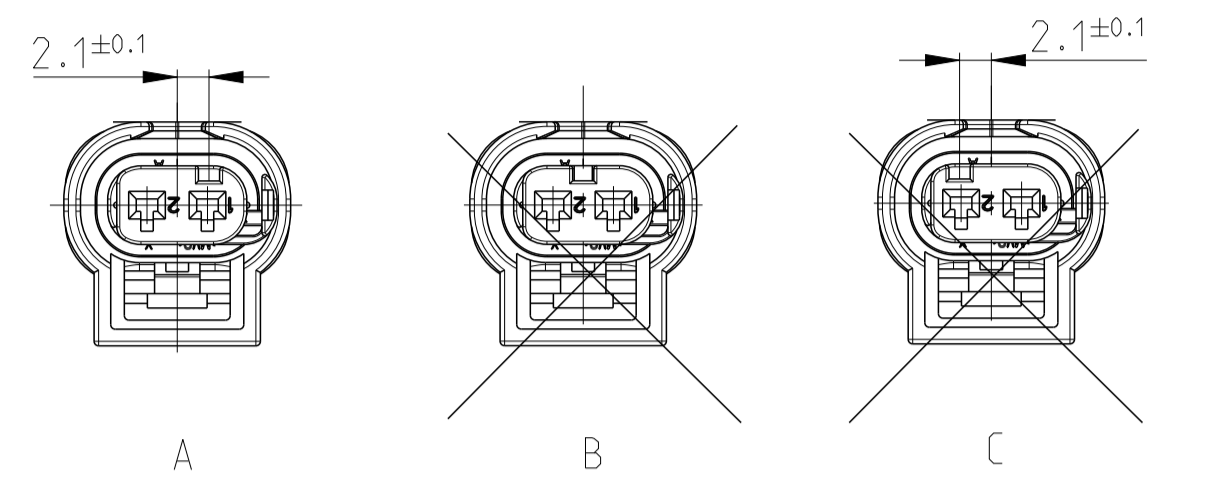


PRINT: 5:1



REVISIONS				
P.	LTN.	DESCRIPTION	DATE	APVD.
E		Inner Hsg. chamfer removed	03SEP2010	CLA ASC
E1		ECR-12017745	17OCT2012	SZN SZG
E3		LASER PRINT UPDATED	10DEC2019	SZN LSZ
E4		GENERAL DRAWING MAINTENANCE	26MAY2020	GR LSZ

CODINGS M 2:1



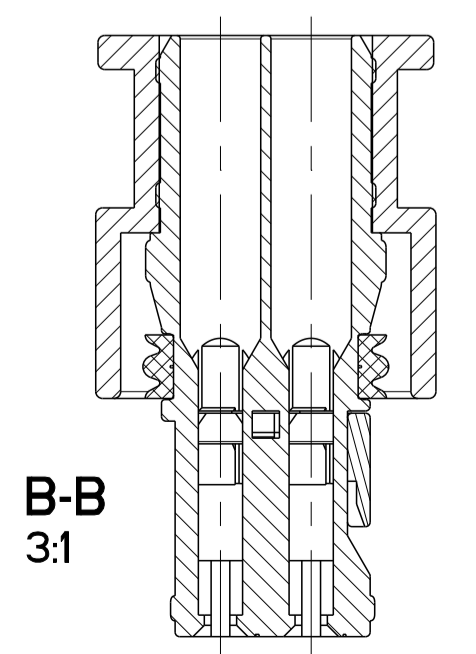
NOTES:

- 1 AREA FOR PRINT
- 2 USABLE CONTACTS MCON 1.2 SEE TE-NO. 1452674, SINGLE WIRE SYSTEM
- 3 MAX. WIRE SIZE RANGE 1.0 mm² FLR PERMITTED FOR CAVITY-Ø 3.55MM QUANTITY SEE WIRE HARNESS DRAWING FOR PERMISSIBLE CURRENT CARRYING CAPACITY OF THE SINGLE CONTACT SEE PRODUCT SPECIFICATION NO.108-18782
- 4 SUPPLIER-MARK
- 5 SPACE OF ACTIVITY
- 6 SUPPLY CONDITION: RETAINER IN PRELOCKED POSITION
- 7 WARPAGE PERMITTED TO MAX. -0.5mm
- 8 TE ORDER-NO.
- 9 ACCORDING TO INTERFACE DRAWING SEE TE-NO. 114-18679-3
- 10 ASSEMBLY LINE SEGMENT IDENTIFICATION
- 11 DATE CODE (DDYY)
- 12 DIVERGENT MARKING FOR PARTS FROM DIFFERENT LOCATIONS (BR, CN, U.S...)

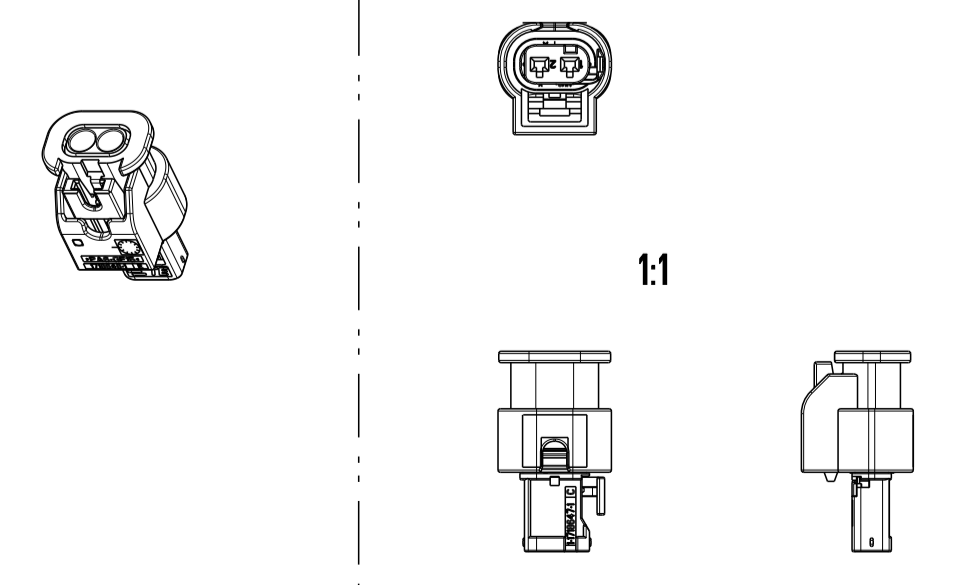
CODING A AS SHOWN

TE-ORDER-NO.	COD	DESCRIPTION	REV	QTY	DESCRIPTION	MATERIAL	SURFACE/COLOUR	ITEM
3-1670915-1	C	2pos. MCON 1.2 - LL Connector, Sealed	A	1	2pos. MCON 1.2 - Seal	MVQ-30	NATURE	4
				1	2pos. MCON 1.2 - Retainer	PA66-GF15	VIOLETT	3
				1	2pos. MCON 1.2 - Protec. Cover	PA6-GF15	BLACK	2
				1	2pos. MCON 1.2 - Recepticle Hsg.	PA66-GF30	BLUE	1
2-1670915-1	B	2pos. MCON 1.2 - LL Connector, Sealed	A	1	2pos. MCON 1.2 - Seal	MVQ-30	NATURE	4
				1	2pos. MCON 1.2 - Retainer	PA66-GF15	VIOLETT	3
				1	2pos. MCON 1.2 - Protec. Cover	PA6-GF15	BLACK	2
				1	2pos. MCON 1.2 - Recepticle Hsg.	PA66-GF30	NATURE	1
1-1670915-1	A	2pos. MCON 1.2 - LL Connector, Sealed	E	1	2pos. MCON 1.2 - Seal	MVQ-30	NATURE	4
				1	2pos. MCON 1.2 - Retainer	PA66-GF15	VIOLETT	3
				1	2pos. MCON 1.2 - Protec. Cover	PA6-GF15	BLACK	2
				1	2pos. MCON 1.2 - Recepticle Hsg.	PA66-GF30	BLACK	1

RETAINER IN END POSITION



3D VIEW 1:1



THIS DRAWING IS A CONTROLLED DOCUMENT.		OWN R. Bachmann 19DEC2006	TE Connectivity													
DIMENSIONS: mm		CHK A. Schraebel 26SEP2008														
TOLERANCES UNLESS OTHERWISE SPECIFIED:		APVD J. Woller 26SEP2008	NAME 2pos. MCON 1.2 - LL Connector, Sealed													
<table border="1"> <tr> <td>1</td> <td>PLC</td> <td>±0.1</td> </tr> <tr> <td>2</td> <td>PLC</td> <td>±0.1</td> </tr> <tr> <td>3</td> <td>PLC</td> <td>±0.1</td> </tr> <tr> <td>4</td> <td>PLC</td> <td>±0.1</td> </tr> </table>		1	PLC	±0.1	2	PLC	±0.1	3	PLC	±0.1	4	PLC	±0.1	108-18969 APPLICATION SPEC	SIZE CAGE CODE DRAWING NO RESTRICTED TO	
1	PLC	±0.1														
2	PLC	±0.1														
3	PLC	±0.1														
4	PLC	±0.1														
MATERIAL FINISH		114-18861	A 00779 C=1670915													
WEIGHT 2.4 g		CUSTOMER DRAWING		SCALE 15:1 SHEET 1 OF 1 REV E 4												