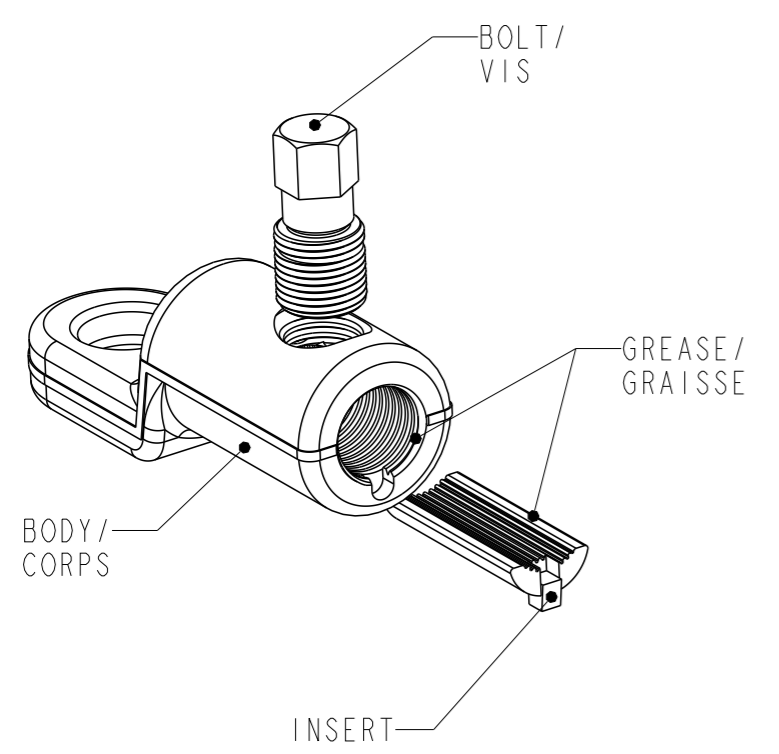
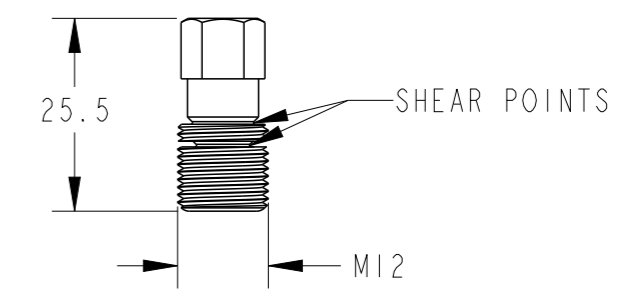
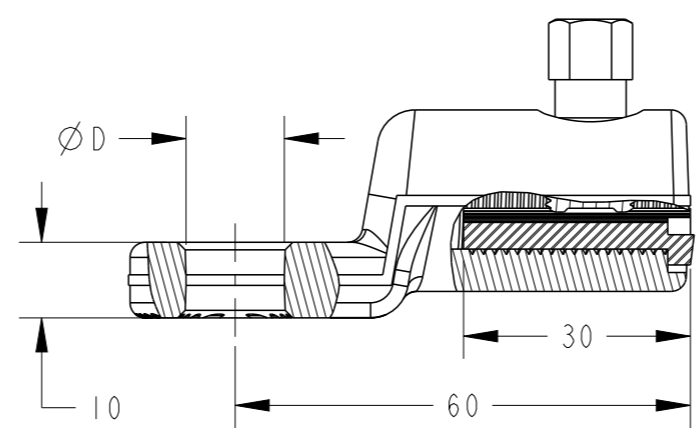
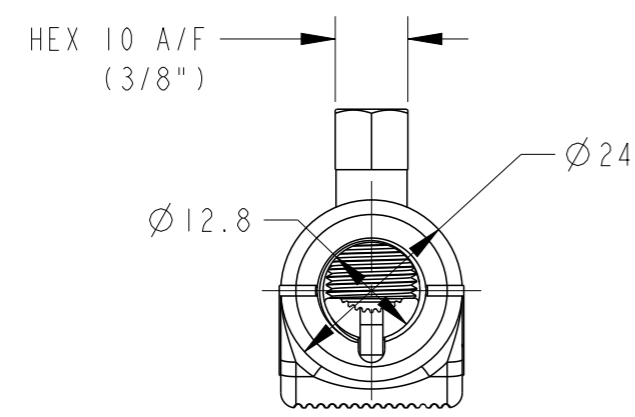


THIS DRAWING IS UNPUBLISHED.      RELEASED FOR PUBLICATION      20

© COPYRIGHT 20      ALL RIGHTS RESERVED.

LOC	DIST	REVISIONS			
P	LTR	DESCRIPTION	DATE	DWN	APVD
FH	2				
	B	UPDATED	27APR2004	PB	AD
	C	MODIFICATION OF RANGE SIZE	24MAY2006	BP	AD
	D	UPDATE CABLE RANGE TAKING, ADD BLMT Ø17	16NOV2011	BM	NA
	E	HEX BOLT HEAD REDUCED PER ECR	02SEP2020	NB	BM

DESCRIPTION	PART NUMBER	ØD
BLMT-25/95-17	D10789-000	17
BLMT-25/95-13	A23668-000	13



	AL				CU			
	RM ROUND STRANDED	RE ROUND SOLID	SM SECTOR STRANDED	SE SECTOR SOLID	RM ROUND STRANDED	RE ROUND SOLID	SM SECTOR STRANDED	ROUND FLEXIBLE
CONDUCTOR CROSS-SECTION QUERSCHNITTSBEREICH mm <sup>2</sup>	25-95	16-95	25-70 (95 with rounding)	50-95	10-95	10-50	25-70 (95 with rounding)	25-35 (70)
CONDUCTOR DIAMETER LEITERDURCHMESSER mm	Ø 5.6-Ø 12.5	Ø 4.1-Ø 11	-	-	Ø 3.6-Ø 12.5	Ø 3.6-Ø 8	-	Ø 6.3-Ø 9.2 (25 <sup>2</sup> -35 <sup>2</sup> ) Ø 11-Ø 12 (FOR 70 <sup>2</sup> )

TOLERANCES UNLESS OTHERWISE SPECIFIED: -  
TOLERANCES NON SPECIFIEES: -

THIS DRAWING IS A CONTROLLED DOCUMENT.		DWN J. BERLAND 09 JUL 2003	<b>STE</b> TE Connectivity	
DIMENSIONS: mm		CHK M. DOLLING		
TOLERANCES UNLESS OTHERWISE SPECIFIED: 0 PLC ±0 1 PLC ±0 2 PLC ±0 3 PLC ±0 4 PLC ±0 ANGLES ± FINISH TINNED		APVD N. ALMEIDA	NAME BLMT-25/95-13	
MATERIAL AL ALLOY		PRODUCT SPEC -	APPLICATION SPEC IEC-61238	
		WEIGHT 61g	SIZE A3	CAGE CODE -
		CUSTOMER DRAWING	DRAWING NO C-1667059	RESTRICTED TO
		SCALE	SHEET	OF
			REV	E