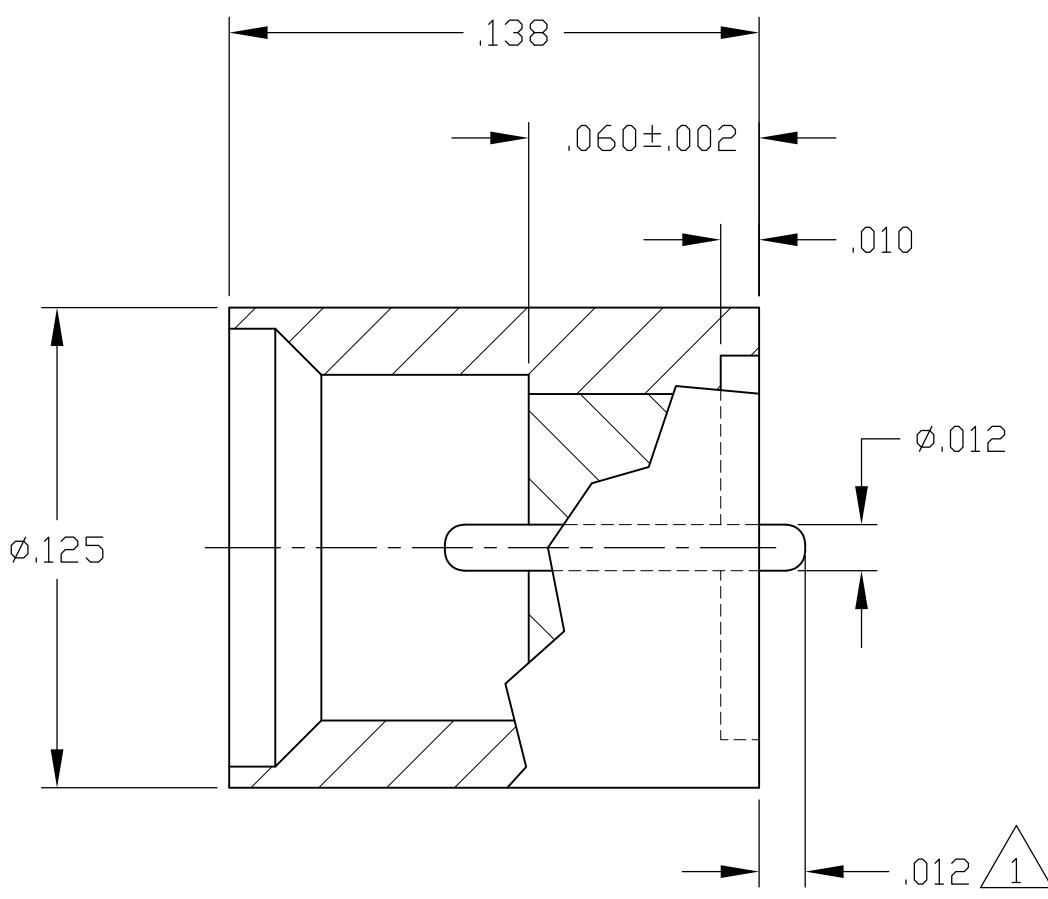


THIS DRAWING IS UNPUBLISHED. RELEASED FOR PUBLICATION - .N/A .
 © COPYRIGHT N/A BY TYCO ELECTRONICS CORPORATION. ALL RIGHTS RESERVED.

LOC		DIST		REVISIONS			
P	LTR	DESCRIPTION		DATE	DWN	APVD	
	D	REV PER ECO 09-020247		9-4-09	CT	WM	

COMPONENT	MATERIAL AND FINISH
BODY & PIN	KOVAR MIL-I-23011 GOLD PLATE PER MIL-G-45204 AND ASTM-F15 TYPE 1, GRADE C, CLASS 1
GLASS	CORNING #7070 OR EQUIVALENT



- 1 SOLDER DIPPED OVER LENGTH OF PIN. SOLDER ALLOWED TO HEIGHT OF .060 MAX ON HOUSING. MUST MEET SOLDERABILITY REQUIREMENTS OF METHOD 208, MIL-STD-202.
- 2. PARTS PACKAGED IN TAPE ON 13 INCH DIAMETER REELS PER EIA 481.

1	1663433-4
	1663433-1
REMARKS	PART NO.

THIS DRAWING IS A CONTROLLED DOCUMENT.		DWN C.C.THOMAS 21APR2003	Tyco Electronics Corporation Harrisburg, PA 17105	
DIMENSIONS: INCHES		CHK R.GROSS 4-22-03	NAME SMPM,HERMETIC SMOOTH BORE SHROUD, 50 OHM IMPEDANCE	
TOLERANCES UNLESS OTHERWISE SPECIFIED:		APVD R.GROSS 4-22-03	SIZE A3 CAGE CODE 00779 DRAWING NO C-1663433 RESTRICTED TO -	
MATERIAL SEE TABLE		PRODUCT SPEC -	SCALE 20:1 SHEET 1 OF 1 REV D	
FINISH SEE TABLE		APPLICATION SPEC -	CUSTOMER DRAWING	
0 PLC ± -		WEIGHT -		
1 PLC ± -				
2 PLC ± .01				
3 PLC ± .005				
4 PLC ± -				
ANGLES ± -				