

4

3

2

1

THIS DRAWING IS UNPUBLISHED.

© COPYRIGHT - BY TYCO ELECTRONICS CORPORATION. ALL RIGHTS RESERVED.

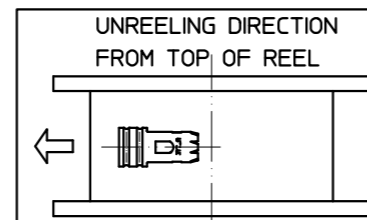
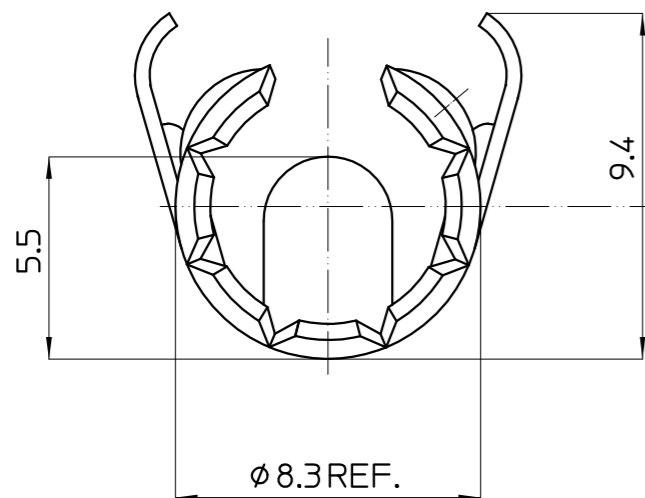
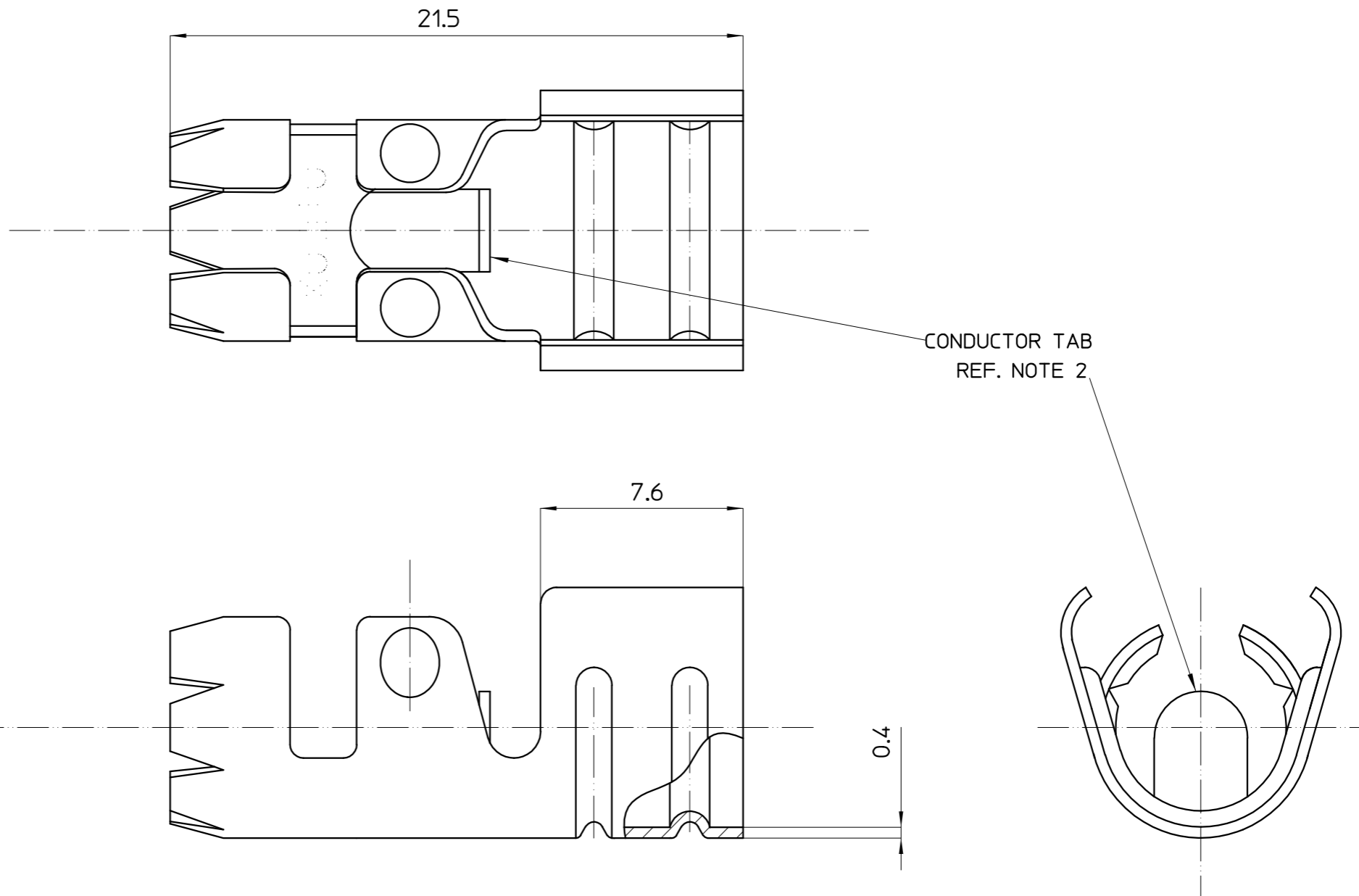
LOC U
DIST -

REVISIONS

P	LTR	DESCRIPTION	DATE	DWN	APVD
0		RE-DRAWN WAS UTX DRG. NO. 01.28309.02	4.4.03	WR	PT
A		ECO-09-001353 - P/N 1-1659287-1 ADDED	19.01.09	WR	

NOTES:

1. TERMINAL DESIGNED TO BE USED WITH 7mm DIA. OR 8mm DIA. HIGH TENSION CABLE. TERMINAL ATTACHMENT STRENGTH: 147N MIN. FOR CRIMPING DETAILS REFER UTILUX CRIMP CHART No. H28309
2. 1-1659287-0 MADE WITH CONDUCTOR TAB AS SHOWN



WITHOUT TAB	STAINLESS STEEL 430 BA	TERMINAL, H28309A/R3000	1-1659287-1
WITH TAB AS SHOWN REF. NOTE 2	STAINLESS STEEL 430 BA	TERMINAL, H28309/R3000	1-1659287-0
REMARKS	MATERIAL DESC.	DESCRIPTION	PART No.
THIS DRAWING IS A CONTROLLED DOCUMENT.		DWN: WR 21.MAR.03	Kingsgrove AUSTRALIA
ALL DIMENSIONS IN mm:		CHK: HT 21.MAR.03	
TOLERANCES UNLESS OTHERWISE SPECIFIED: DIMENSION (mm) TOLERANCE(+/-mm)		APVD: WR 21.MAR.03	
LESS THAN 10 0.4 OVER 10 TO 30 0.5 OVER 30 TO 80 0.7 OVER 80 TO 250 1.0 ANGLES ±2°		PRODUCT SPEC: -	NAME: TERMINAL, DISTRIBUTOR - COIL
MATERIAL -		APPLICATION SPEC: -	
FINISH -		WEIGHT: -	RESTRICTED TO -
		CUSTOMER DRAWING	SIZE A3 CAGE CODE - DRAWING NO. 1659287 SCALE 5:1 SHEET 1 OF 1 REV A

THIS INFORMATION IS CONFIDENTIAL AND PROPRIETARY TO TYCO ELECTRONICS CORPORATION AND ITS WORLDWIDE SUBSIDIARIES AND AFFILIATES. IT MAY NOT BE DISCLOSED TO ANYONE OTHER THAN TYCO ELECTRONICS PERSONNEL WITHOUT WRITTEN AUTHORIZATION FROM TYCO ELECTRONICS CORPORATION, HARRISBURG, PENNSYLVANIA, USA.