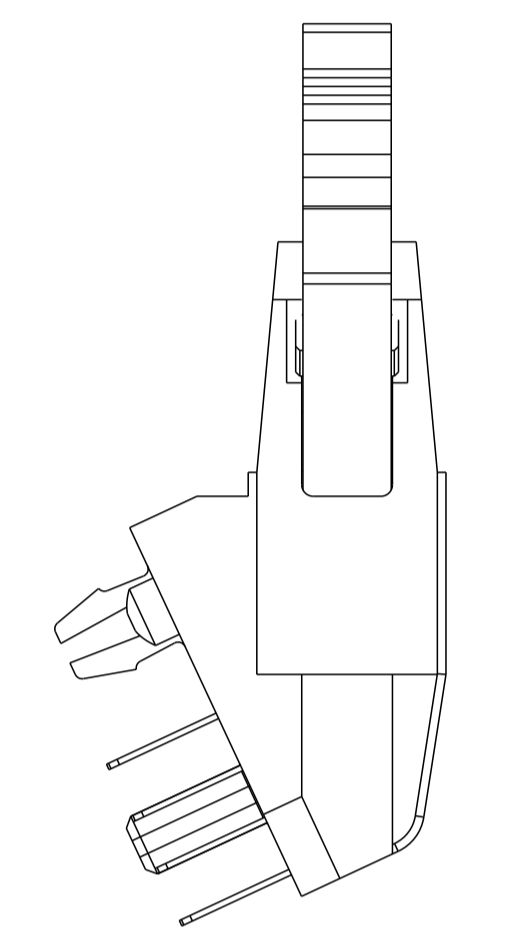
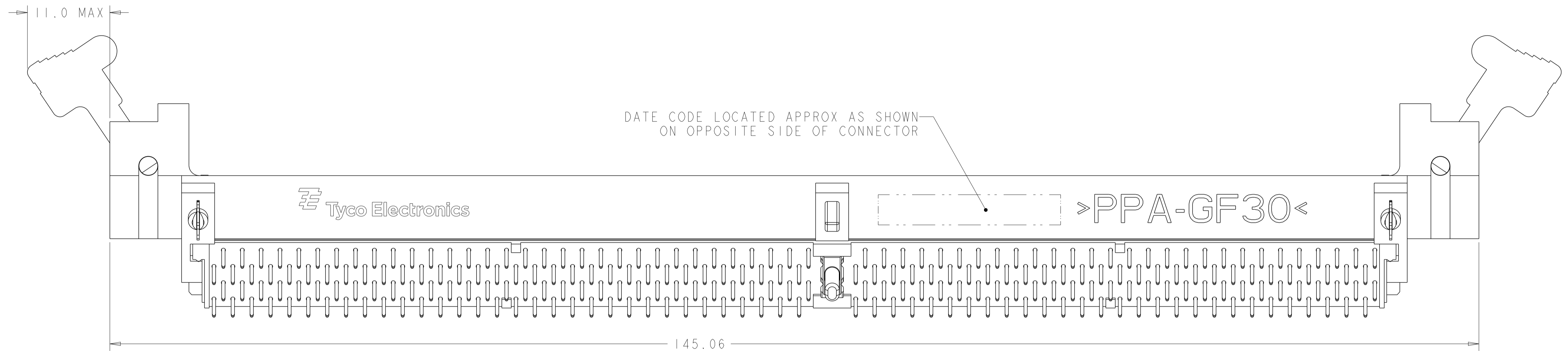
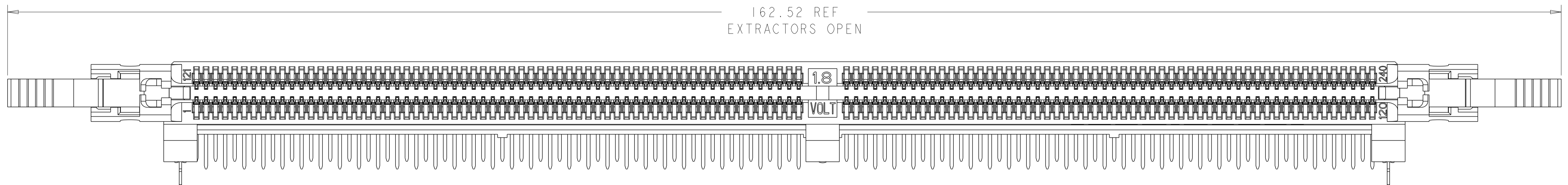
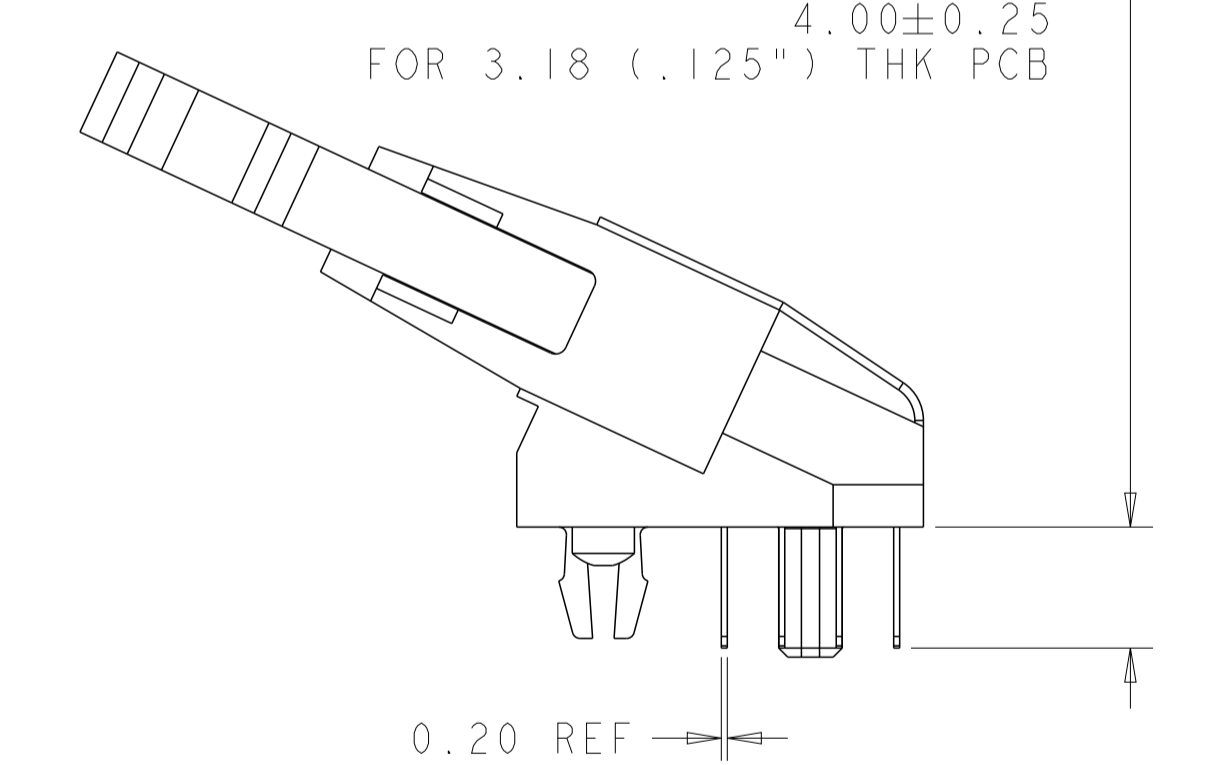
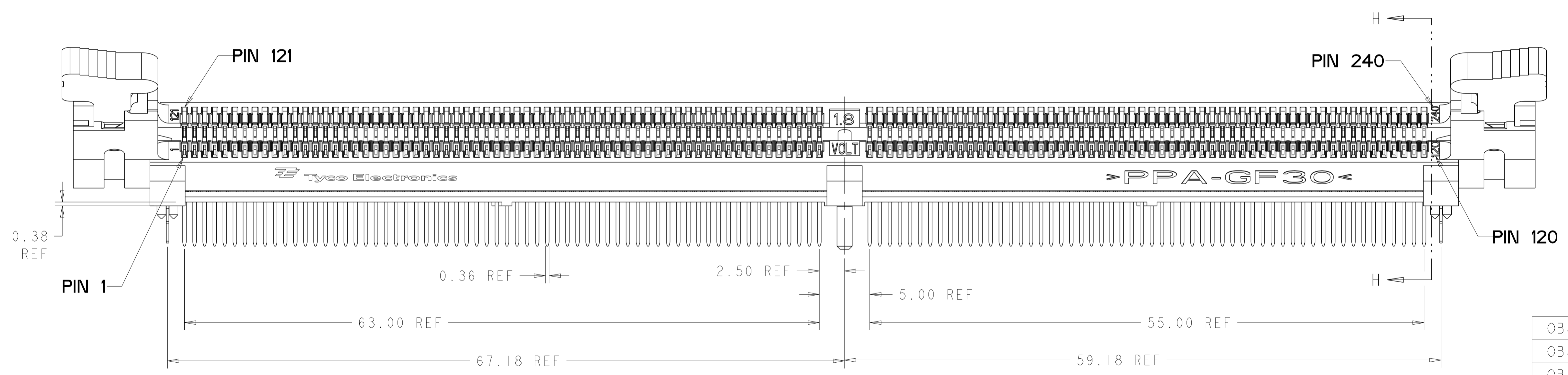


LOC		DIST		REVISIONS			
P	LTN	DESCRIPTION	DATE	DMN	APVD		
A3		REVISED PER ECO-11-005033	09MAY2011	RK	HMR		
A4		ECR-11-013206	27JUN2011	D.P	C.W		
A5		ECR-13-008246	21MAY2013	CC	CW		
A6		ECR-22-159776	29NOV2022	SS	EZ		



TAIL LENGTHS

- 2.67±0.25 FOR 1.60 (.063") THK PCB
- 3.18±0.25 FOR 2.36 (.093") THK PCB
- 4.00±0.25 FOR 3.18 (.125") THK PCB



- 1 MATERIALS:
HOUSING: HIGH TEMPERATURE THERMOPLASTIC, BLACK, UL94 V-0
EXTRACTOR: HIGH TEMPERATURE THERMOPLASTIC, NATURAL (OFF WHITE)
CONTACTS: COPPER ALLOY
RETENTION BARB: COPPER ALLOY
- 2 INTERFACE FINISH:
0.00076 MIN THK GOLD OVER 0.00127 MIN THK NICKEL.
0.00038 MIN THK GOLD OVER 0.00127 MIN THK NICKEL.
- 3 SOLDER TAIL FINISH:
0.00300 MIN THK MATTE LEAD FREE PLATING OVER 0.00127 MIN THK NICKEL.
- 4 RIGHT HOLE IS GLOBAL D-E ORIGIN FOR ALL POSITIONAL TOLERANCES.
LEFT AND RIGHT NON-PLATED THRU HOLES ESTABLISH [-E-].
- 5 FINISHED HOLE SIZE. Ø0.15 MAXIMUM ANNULAR RING.

- 6 DATUM [-F-] IS CONNECTOR SIDE SURFACE OF PCB.
- 7 PORE BLOCKER APPLIED TO CONTACT INTERFACE

	CONTACT GOLD INTERFACE	TAIL LENGTH	PART NUMBER
OBSOLETE	0.00008 MIN	4.00	1658912-9
OBSOLETE	0.00008 MIN	3.18	1658912-8
OBSOLETE	0.00008 MIN	2.67	1658912-7
	0.00038 MIN	4.00	1658912-6
A6 A5 OBSOLETE	0.00038 MIN	3.18	1658912-5
OBSOLETE	0.00038 MIN	2.67	1658912-4
	0.00076 MIN	4.00	1658912-3
A6 OBSOLETE	0.00076 MIN	3.18	1658912-2
	0.00076 MIN	2.67	1658912-1

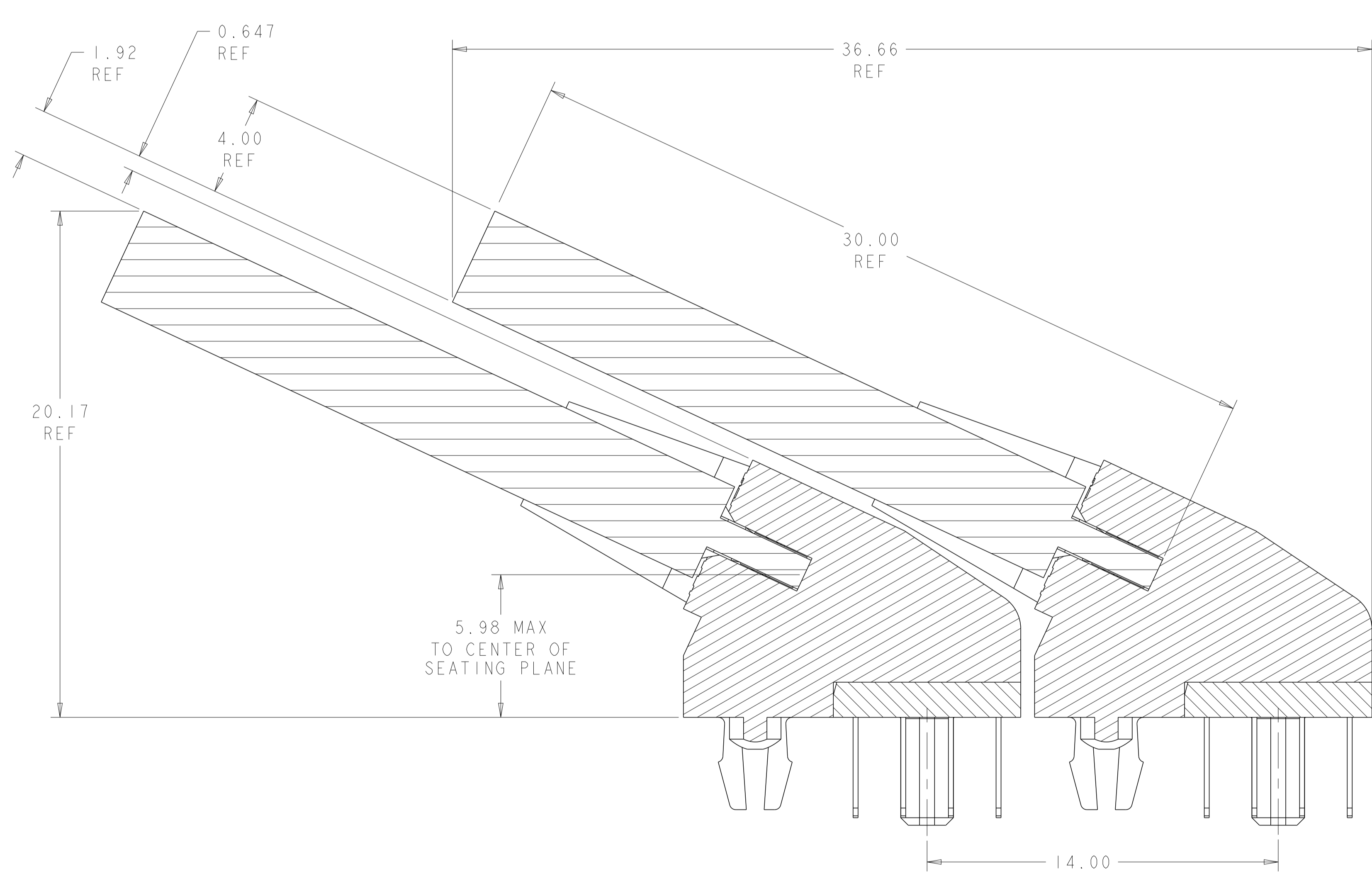
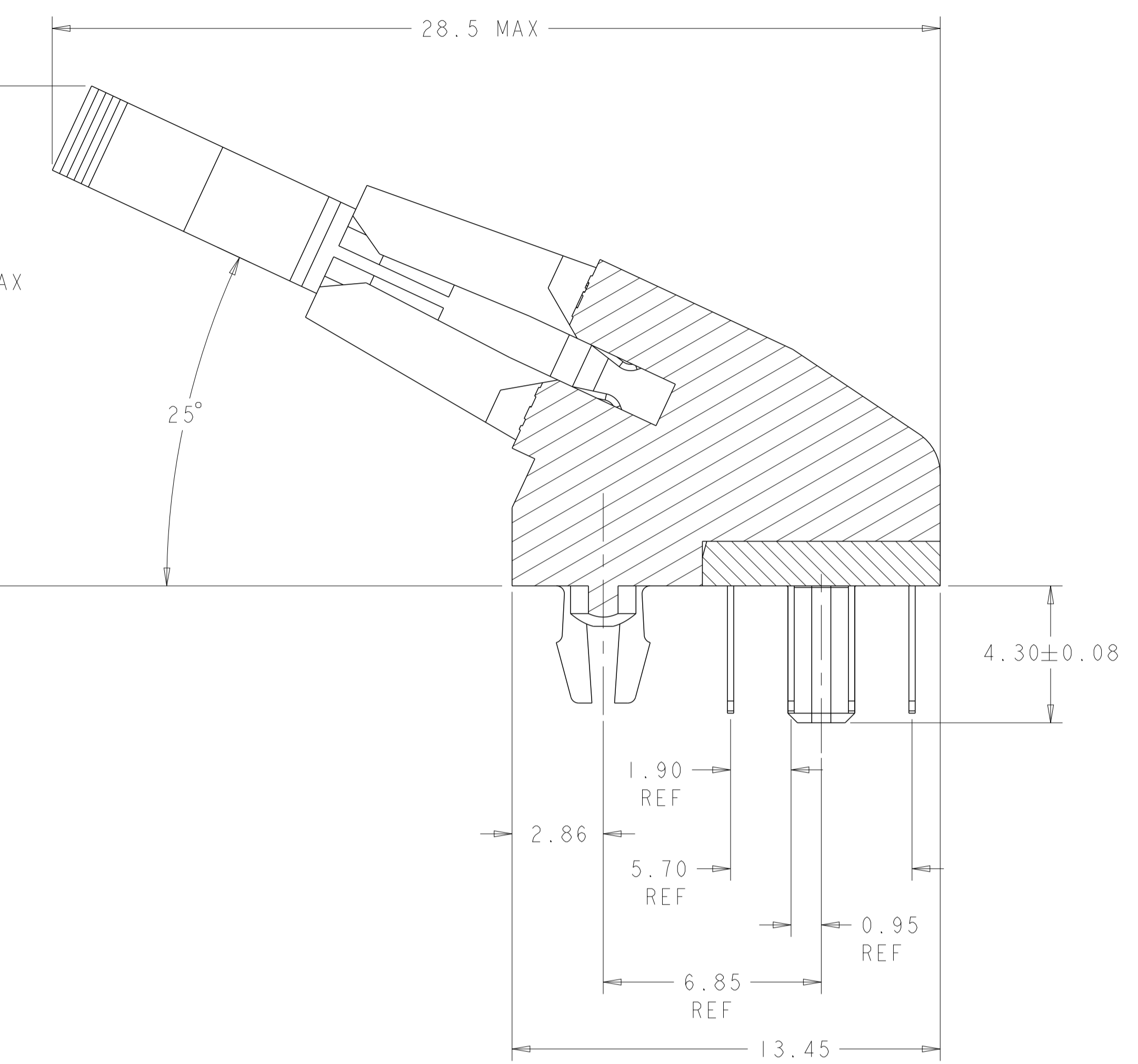
THIS DRAWING IS A CONTROLLED DOCUMENT.

DMN: D. RINGLER 28OCT2003
 CHG: J. McCLELLAN 29OCT2003
 APVD: J. McCLELLAN 29OCT2003

TE Connectivity

SOCKET ASSEMBLY
 25 DEGREE DDR II DIMM
 240 POSITION, STANDARD FOOTPRINT

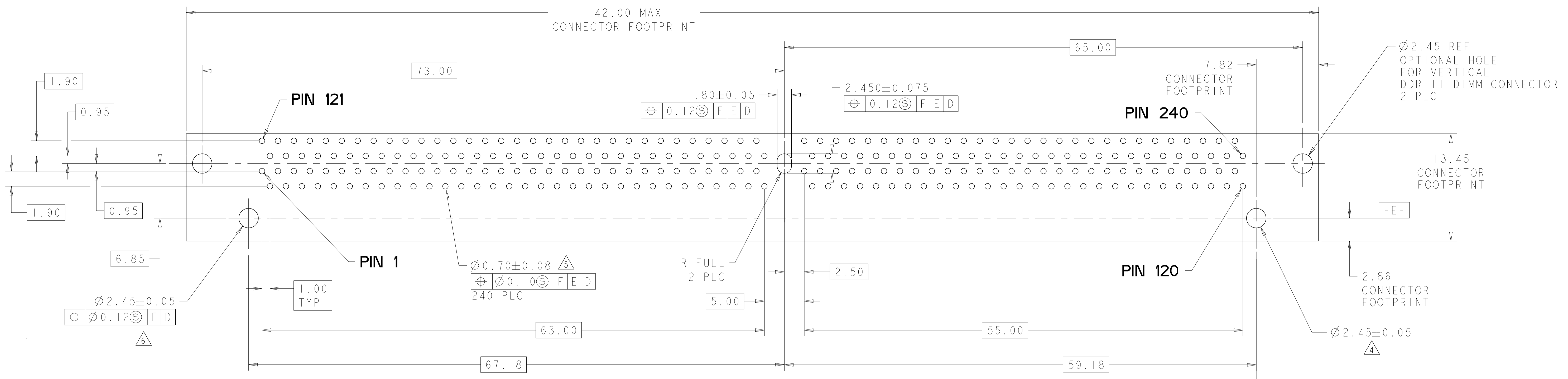
SIZE: 114-13130
 WEIGHT: -
 SCALE: 4:1
 SHEET 1 OF 3
 REV: A6



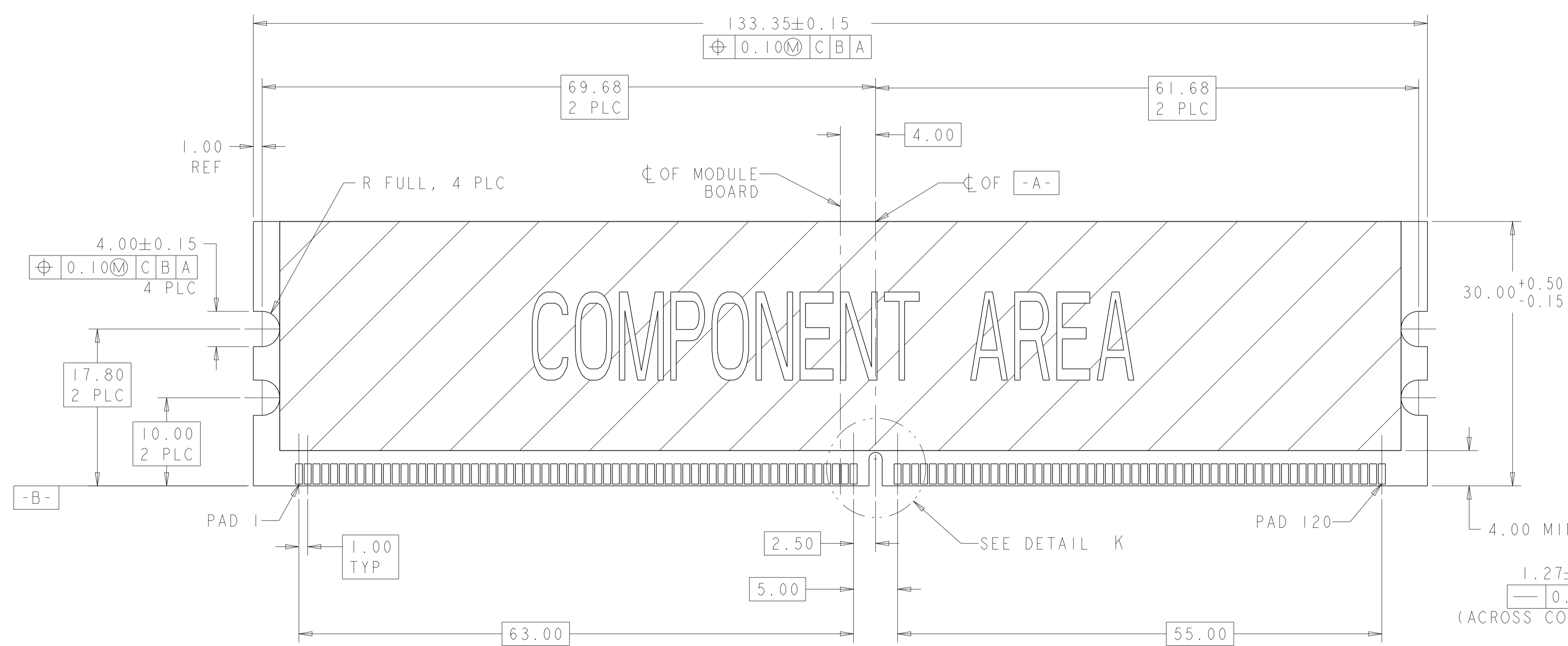
MINIMUM RECOMMENDED ROW TO ROW SPACING
FOR 4mm THICK MODULE

SCALE 8:1

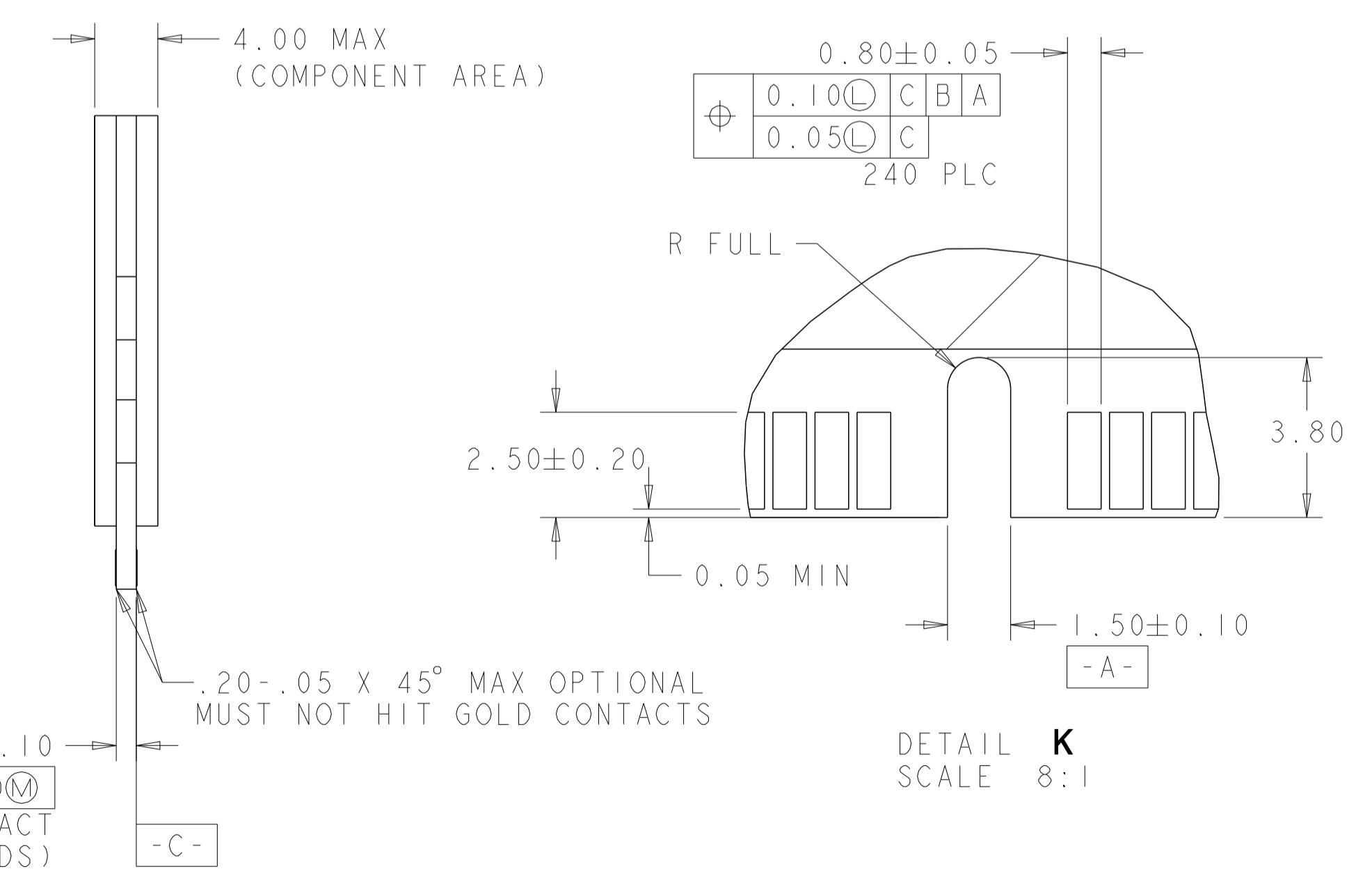
THIS DRAWING IS A CONTROLLED DOCUMENT.		DWN D. RINGLER 28OCT2003	TE Connectivity
DIMENSIONS:		CHK J. McCLELLAN 29OCT2003	
mm	TOLERANCES UNLESS OTHERWISE SPECIFIED:	APVD J. McCLELLAN 29OCT2003	NAME SOCKET ASSEMBLY
0 PLC	±	PRODUCT SPEC	25 DEGREE DDR II DIMM
1 PLC	±0.25	APPLICATION SPEC	240 POSITION, STANDARD FOOTPRINT
2 PLC	±0.15	SIZE	114-13130
3 PLC	±0.013	WEIGHT	A100779C=1658912
4 PLC	±	CUSTOMER DRAWING	SCALE 4:1 SHEET 2 OF 3 REV A6
ANGLES	±		
FINISH	±		



RECOMMENDED PCB HOLE LAYOUT
VIEWED FROM CONNECTOR SIDE
SCALE 4:1



RECOMMENDED MODULE LAYOUT
SCALE 3:1



DETAIL K
SCALE 8:1

THIS DRAWING IS A CONTROLLED DOCUMENT.		DWN D. RINGLER 28OCT2003	TE Connectivity
DIMENSIONS:		CHK J. McCLELLAN 29OCT2003	
mm	TOLERANCES UNLESS OTHERWISE SPECIFIED:	APVD J. McCLELLAN 29OCT2003	NAME SOCKET ASSEMBLY
	0 PLC ±.25 1 PLC ±0.25 2 PLC ±0.15 3 PLC ±0.13 4 PLC ±.1 ANGLES ±.1	PRODUCT SPEC 108-2168	240 POSITION, STANDARD FOOTPRINT
MATERIAL	FINISH	APPLICATION SPEC 114-13130	SIZE CAGE CODE DRAWING NO A100779C=1658912
		WEIGHT	RESTRICTED TO
		CUSTOMER DRAWING	SCALE 4:1 SHEET 3 OF 3 REV A6