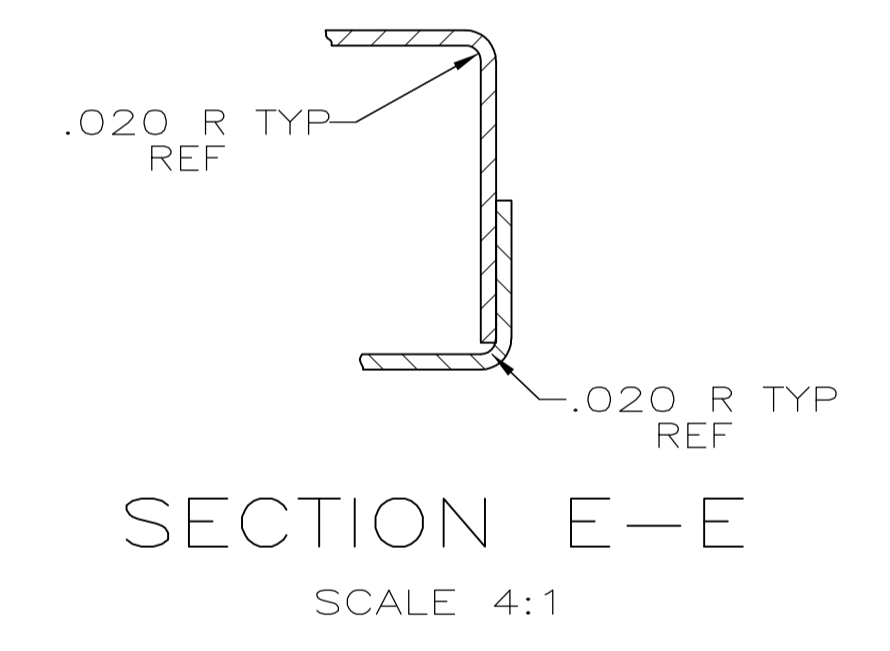
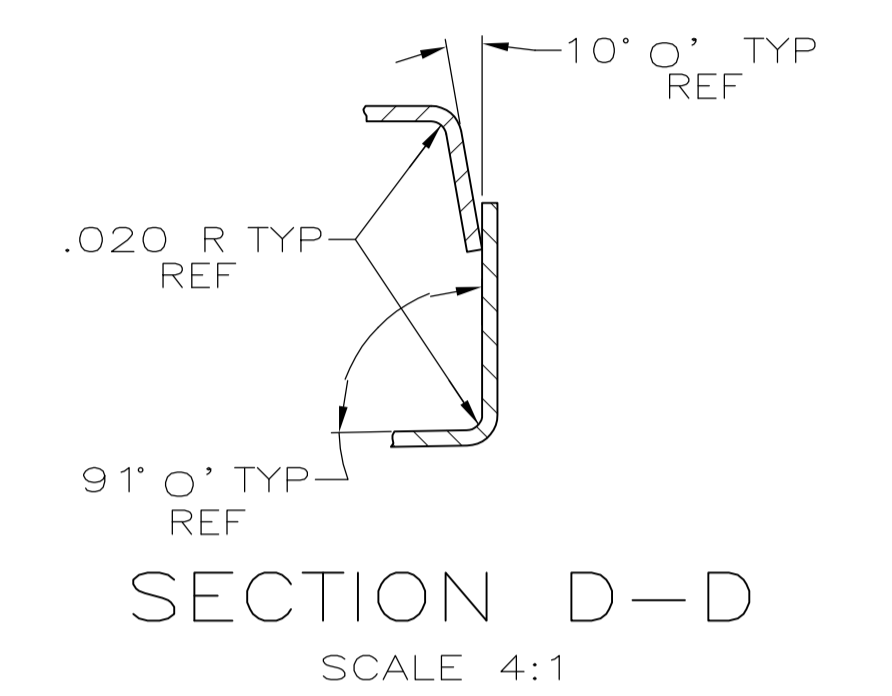
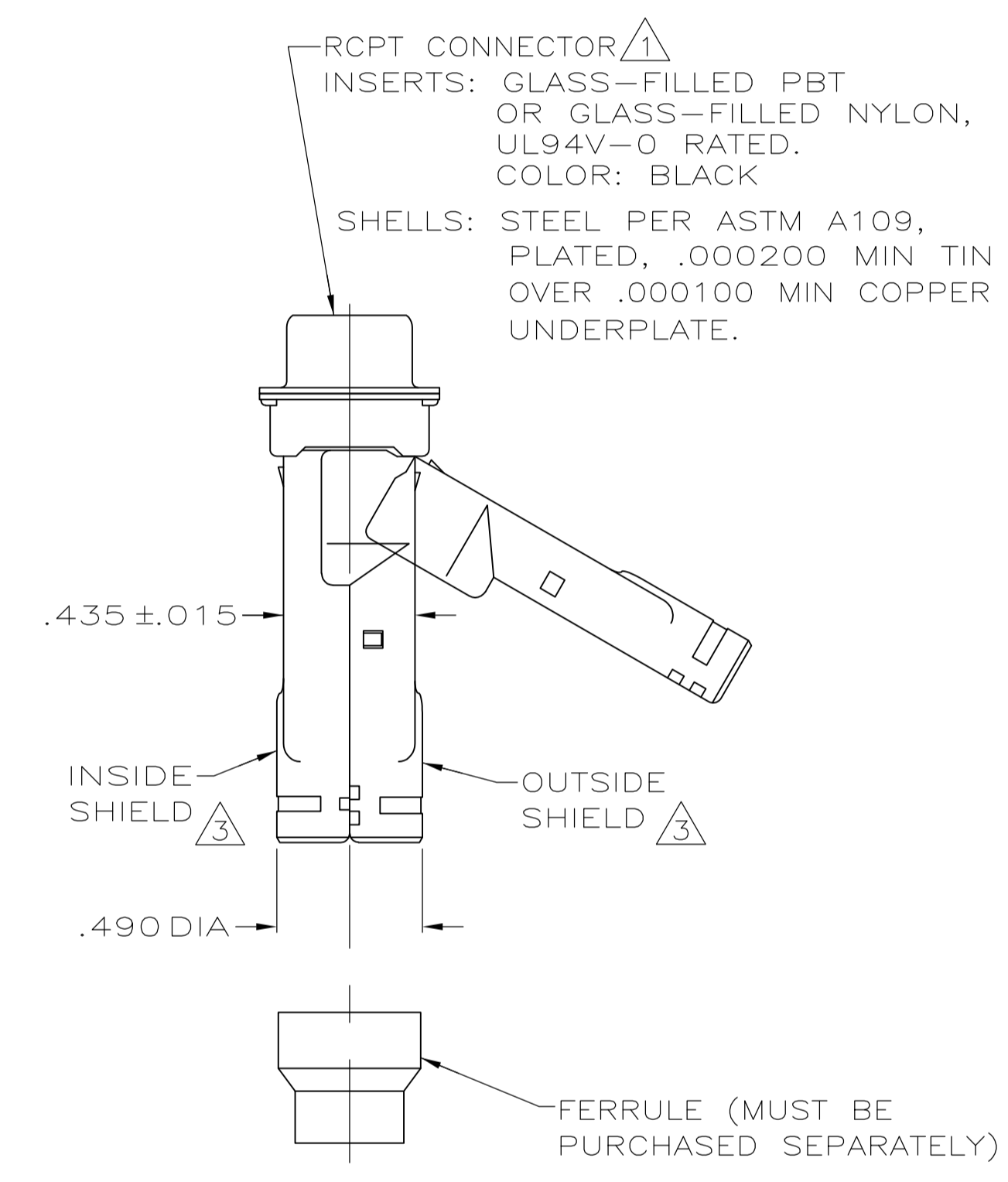
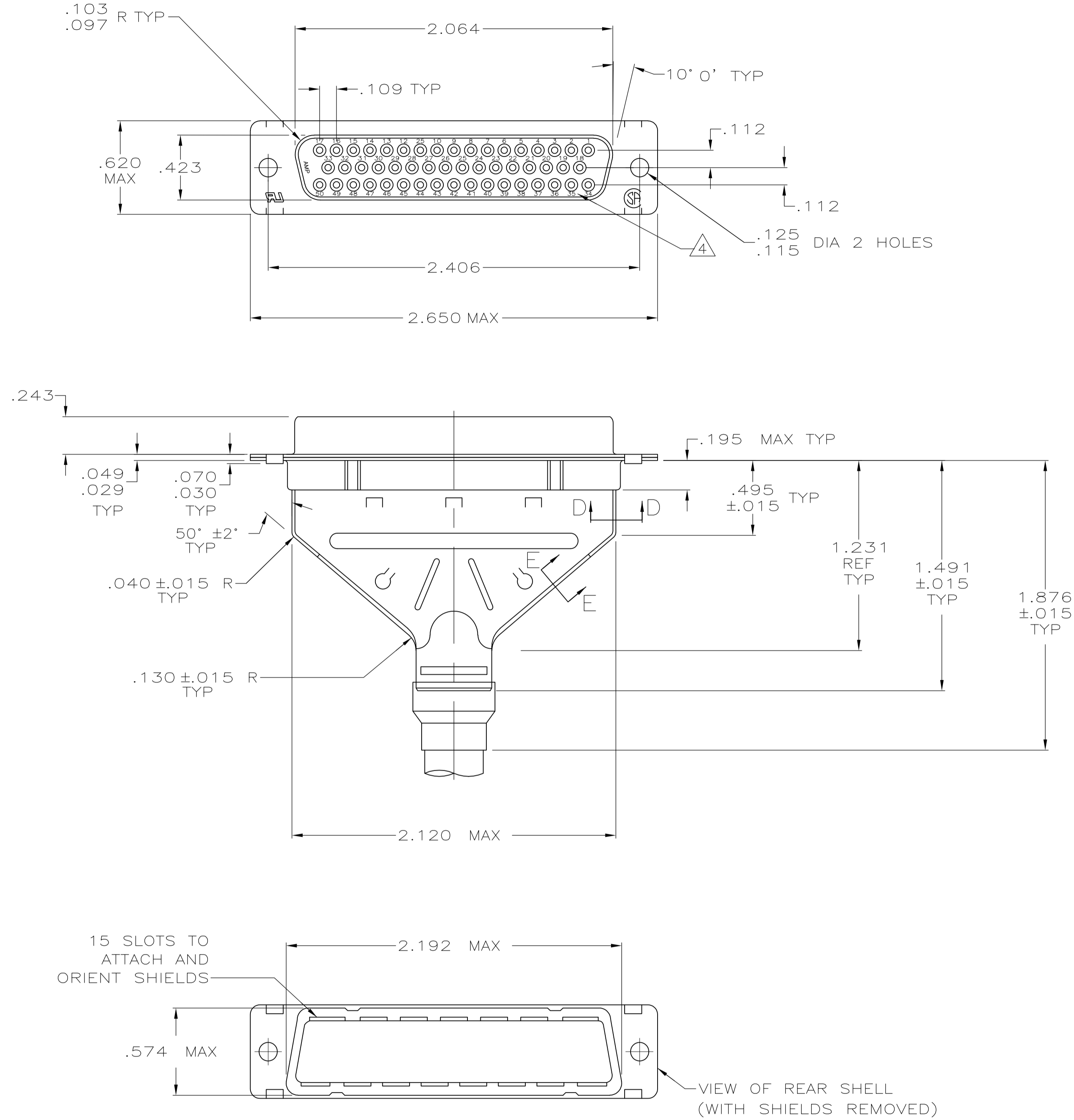


LOC		DIST		REVISIONS			
GP	00	REV	DATE	BY	APP	REV	DATE
A		REVISED PER ECO-14-011808	09AUG2014	AP	SB		



- 1 RCPT ACCEPTS SIZE 20 SOCKET CONTACTS (CONTACTS MUST BE ORDERED SEPARATELY).
- 2. ALL PARTS SHIPPED UNASSEMBLED, EACH PART INDIVIDUALLY BULK PACKED.
- 3 SHIELDS: MATERIAL-.020 THICK STEEL, PER ASTM A109, PLATED .000200 MIN TIN OVER .000100 MIN COPPER UNDERPLATE.
- 4 RAISED CAVITY IDENTIFICATION AND AMP TRADEMARK.

1658653-1  
 PART NUMBER

THIS DRAWING IS A CONTROLLED DOCUMENT.		DIN J. REITZEL 31JUL03	STE TE Connectivity	
DIMENSIONS: INCHES		CHK S. BOLASH 31JUL03	NAME	
TOLERANCES UNLESS OTHERWISE SPECIFIED:		APP'D M. WALMSLEY 31JUL03	KIT, RCPT, SHIELDING HARDWARE, SIZE 5, 50 POSN, AMPLIMITE HDP-20	
0 PLC ± -	1 PLC ± -	PRODUCT SPEC	TM	
2 PLC ± -	3 PLC ± .005	108-40030	APPLICATION SPEC	
4 PLC ± -	ANGLES ± #° 30'	114-40030	SIZE	CAGE CODE
MATERIAL SEE CALL OUT (3)	FINISH SEE CALL OUT (3)	WEIGHT -	A1 00779	DRAWING NO. 1658653
		CUSTOMER DRAWING	SCALE 2:1	SHEET 1 OF 1