



AMP 3K and AMP 5K Terminators

Fast Facts

- 3,000 lb [1361 kg] max. crimp force (AMP 3K); 5,000 lb [2268 kg] max. crimp force (AMP 5K)
- Tool-less removal of applicators and guards for quick and simple maintenance and product change over
- Standard equipment tool-less precision adjust
- Work light
- Batch counter
- Variable speed
- Jog mode
- Quiet and fast operation — 80/76 dBA and cycle time less than 0.400 seconds
- Accepts Heavy Duty Mini style applicators
- Wide range of optional equipment such as CQM capability, precision controller and strip module
- Universal electrical input — 100-240 VAC, 50/60 Hz
- Cannot be operated during normal production with guards open
- Produced under an ISO 9001 Certified Quality System

Customer Manuals

409-10047

AMP 3K and AMP 5K Terminators are the latest in the series of machines for terminating wire using reeled terminals and contacts. They are designed for customers requiring the increased output and quality of a semiautomatic machine at a competitive price. By incorporating the most commonly requested features as standard and offering a long list of optional equipment, these terminators offer flexibility to meet the specific needs of various applications at the lowest possible cost.

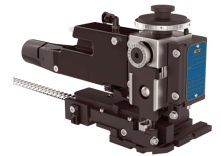
The AMP 3K and AMP 5K Terminators use a DC motor with gearbox drive. The result is a small-footprint design that is fast and quiet. Cycle time is less than 0.400 seconds with an operation sound level of 76 dBA (AMP 3K) or 80 dBA (AMP 5K).

Optional equipment is available to help meet your specific application requirements. Features such as CQM capability, precision controller or a strip module can be added to tailor the terminator to a specific application.

With a crimp force capacity of 3,000 pounds, the AMP 3K is capable of crimping 32-14 AWG wire size. The AMP 5K and it's 5,000 pound crimp force is capable of crimping 32-10 AWG wire.

TE OCEAN Applicator Series

The OCEAN Applicator Series is designed so that all feed options are interchangeable with the common base applicator.



The pneumatic and mechanical feed options have been redesigned for finer, more precise terminal positioning and quicker adjustability while being more user friendly.

Advantages:

- One applicator platform — modular family design
 - Two styles with 3 feed options; Mechanical, Pneumatic and Servo
- Same wire crimper, insulation crimper and anvil used on both applicator styles
- Open architecture for design flexibility
- Finer incremental crimp height adjustment

Request catalog 9-1773458-6 for more information.



Specifications and Dimensions

Capacity: AMP 3K — 3,000 lb [1361 kg] max. crimp force
AMP 5K — 5,000 lb [2268 kg] max. crimp force

Noise: 76 dBA maximum at 3,000 lb [1361 kg] full capacity
80 dBA maximum at 5,000 lb [2268 kg] full capacity

Weight: Approx. 150 lb [68 kg]

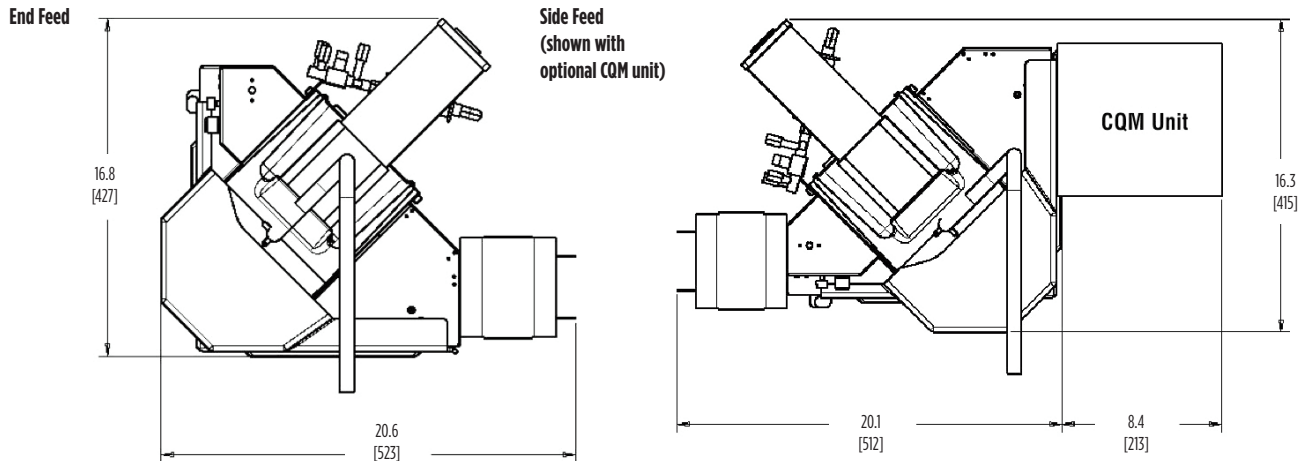
Height: 20" [510] (without reel support)

Electrical: 100-240 VAC, 50/60 Hz (3AMP)

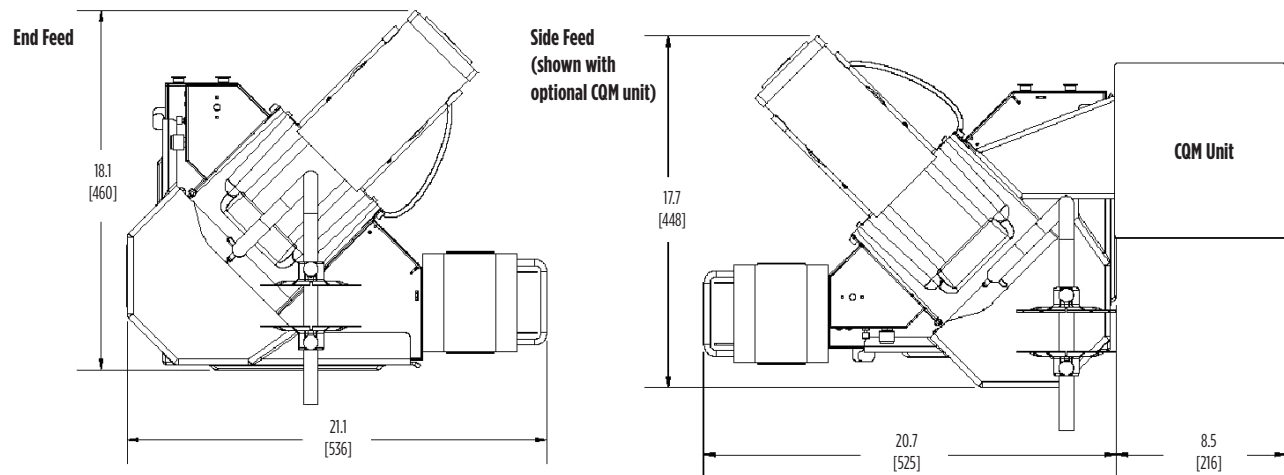
- Average <1 A at 120 VAC when used as a bench-top unit at 2 000 cycles per hour operating rate

Air: 90-100 psi [6.21-6.90 bar], 6 scfm [0.00282 m³/s]
(when required for use with air-feed applicators)
Note: Optional Air Feed Valve Assembly required (see below).

AMP 3K Terminator



AMP 5K Terminator



Termination Unit	AMP 3K	AMP 5K	Applicator Type
1 ⁵ / ₈ " [40 mm] stroke with Tool-less Precision Crimp Adjust	1725950-2	1725900-2	Atlantic
1 ⁵ / ₈ " [40 mm] stroke with Tool-less Precision Crimp Adjust w/CQM II	4-1725950-2	4-1725900-2	Atlantic
1 ⁵ / ₈ " [40 mm] stroke with Tool-less Precision Crimp Adjust*		3-1725900-0	Atlantic
1 ¹ / ₈ " [30 mm] stroke with Tool-less Precision Crimp Adjust	1725950-3	1725900-3	Atlantic
1 ¹ / ₈ " [30 mm] stroke with Tool-less Precision Crimp Adjust w/CQM II	4-1725950-3	4-1725900-3	Atlantic
1 ¹ / ₈ " [30 mm] stroke with Tool-less Precision Crimp Adjust	5-1725950-0	5-1725900-0	Pacific
1 ¹ / ₈ " [30 mm] stroke with Tool-less Precision Crimp Adjust w/CQM II	5-1725950-1	5-1725900-1	Pacific
1 ¹ / ₈ " [30 mm] stroke with Tool-less Precision Crimp Adjust**		1-1725900-0	Pacific

Optional Features and Replacement Part Numbers	AMP 3K	AMP 5K
Field Retrofit Tool-less Precision Crimp Adjust Kit	1424208-1	1424208-1
Batch Counter	1424267-1	1424267-1
Airfeed Valve Assembly — Atlantic Applicators	1424266-1	1424266-1
Airfeed Valve Assembly — Pacific Applicators	1424266-2	1424266-2
Work Light	1424264-1	1424264-1
Terminal Lubricator Assembly (optional)	354550-3	354550-3
CQM Adapter Kit and Sensors (optional)	Call for Part Numbers	

* Extended guards and airfeed valve included.

** Quick change base plate included.

©2014 by TE Connectivity Ltd.
All Rights Reserved.
AMP, AMP-O-LECTRIC, PIDG,
PLASTI-GRIP, SOLISTRAND, TE
connectivity (Logo) and TE
Connectivity are trademarks.