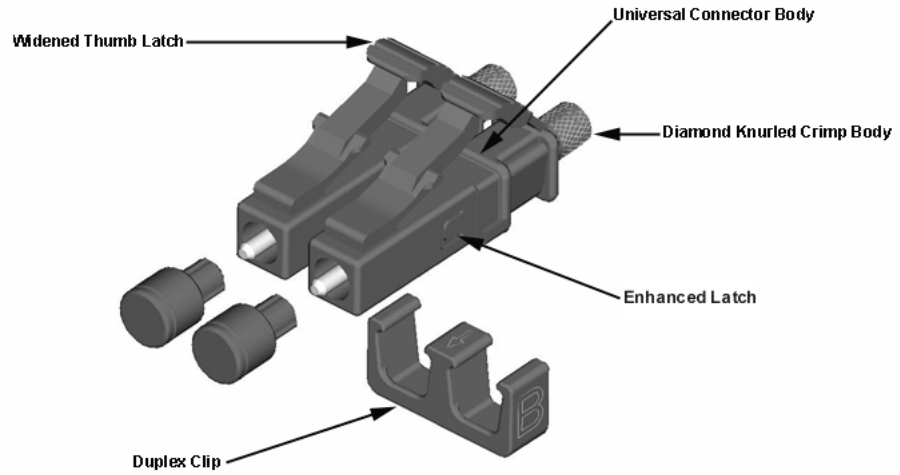


“NEW” LC Connectors



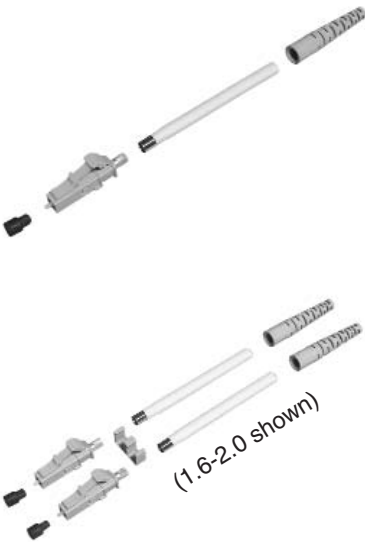
**Product Facts**

- **Singlemode Telecordia GR-326 tested**
- **Universal Connector Body**
  - Common body for simplex or duplex
  - Common body for jumper or buffer applications
  - Fewer parts to inventory
- **Duplex Clip**
  - Field installable
  - Makes simplex assemblies duplex
  - Correct polarity errors
  - Used for both jumpers and buffered fiber applications
- **Enhanced Latch**
  - Improved rigidity
  - Stronger Body
  - Improved side-load strength
- **Widened Thumb Latch**
  - Increased hit area
  - Increased bend strength
  - Ramped front latch for snag resistance



- **Diamond Knurled Crimp Body**
  - Increased tensile proof strength
  - Identical to Tyco Electronics' SC/FC design

- Performance Characteristics**
- Insertion Loss** — 0.2 dB Typical
  - Reflectance** — -58 dB Typical
  - Operating Temperature** — -40°C to +75°C
  - Durability** — 200 Cycles



**LC Connector Kits**

Fiber Type	Kit Part Number	Description
Multimode (beige body & straight boot)	1588705-X	Simplex, 1.6-2.0 mm
	1588706-X	Simplex, 900 μm
	1588707-X	Duplex, 1.6-2.0 mm
	1588708-X	Duplex 900 μm
	1693480-X	Simplex, 3.0mm
	1693479-X	Duplex, 3.0mm
Singlemode (blue body & straight boot)	1588709-X	Simplex, 1.6-2.0 mm
	1588710-X	Simplex, 900 μm
	1588711-X	Duplex, 1.6-2.0 mm
	1588712-X	Duplex, 900 μm
	1693482-X	Simplex, 3.0mm
	1693481-X	Duplex, 3.0mm

Note: X = -1 for individual package, -2 for bulk package.

**LC Connector Component Selection Chart (bulk packaged)**

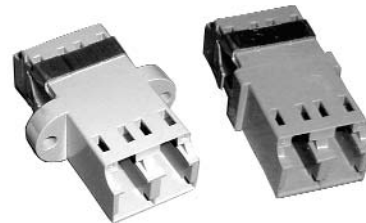
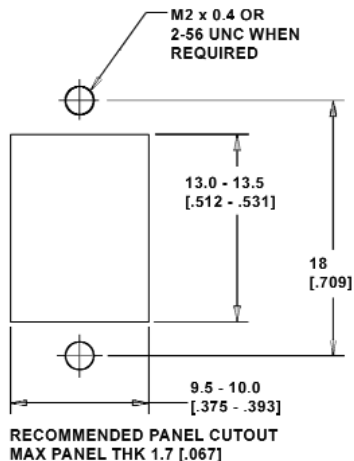
Fiber Type	Simplex Connector Assembly & Dust Cap	Duplex Clip	Cable Size	Crimp Eyelet with Heat Shrink	Crimp Eyelet	Strain Relief Description	Strain Relief Part Number (see chart below)
Singlemode (blue hsg)	1588239-1	1374728-1	1.6-2.0 mm	1374150-1	—	Straight/Bend Limiting	1588153-X
			1.6-2.0 mm	1374150-1	—	Angled	1374737-X
			1.6-2.0 mm	1374150-1	—	50 Degree Angle	1457543-X
			2.4 mm	1588189-1	—	Straight/Bend Limiting	1588153-X
			2.4 mm	1588189-1	—	Angled	1374737-X
			2.4 mm	1588189-1	—	50 Degree Angle	1457543-X
			3.0 mm	—	504118-3	Straight	502716-X
			900 μm	—	—	900 μm Buffer, 10mm	1588612-X
Multimode (beige hsg)	1588240-1	1374728-1	1.6-2.0 mm	1374150-1	—	Straight/Bend Limiting	1588153-X
			1.6-2.0 mm	1374150-1	—	Angled	1374737-X
			1.6-2.0 mm	1374150-1	—	50 Degree Angle	1457543-X
			2.4 mm	1588189-1	—	Straight/Bend Limiting	1588153-X
			2.4 mm	1588189-1	—	Angled	1374737-X
			2.4 mm	1588189-1	—	50 Degree Angle	1457543-X
			3.0 mm	—	504118-3	Straight	502716-X
			900 μm	—	—	900 μm Buffer, 10mm	1588612-X

Note: Crimp Tool Dieset only - 1588175-1  
Crimp Tool with Dieset - 1588176-1  
Instruction Sheet: 408-8675



**Strain Relief Color**

Base Part Number	Beige	Blue	Black	Yellow	Red
1588153	-5	-2	-3	-4	—
1374737	-2	-1	-3	-6	-4
1457543	-1	-2	-4	-6	-3
502716	-3	-4	—	-2	—
1588612	-1	-2	-5	—	-4



**LC Duplex Adapter - Plastic**

Alignment Sleeve Material	Housing Color	Description	Part Numbers
Ceramic	Blue	Flangeless	1457567-1
Ceramic	Beige	Flangeless	1457567-2
Ceramic	Green	Flangeless	1457567-3
Ceramic	Blue	Flanged	1457567-4
Ceramic	Beige	Flanged	1457567-5
Ceramic	Green	Flanged	1457567-6
Metal	Beige	Flangeless	1457567-7
Metal	Beige	Flanged	1457567-8