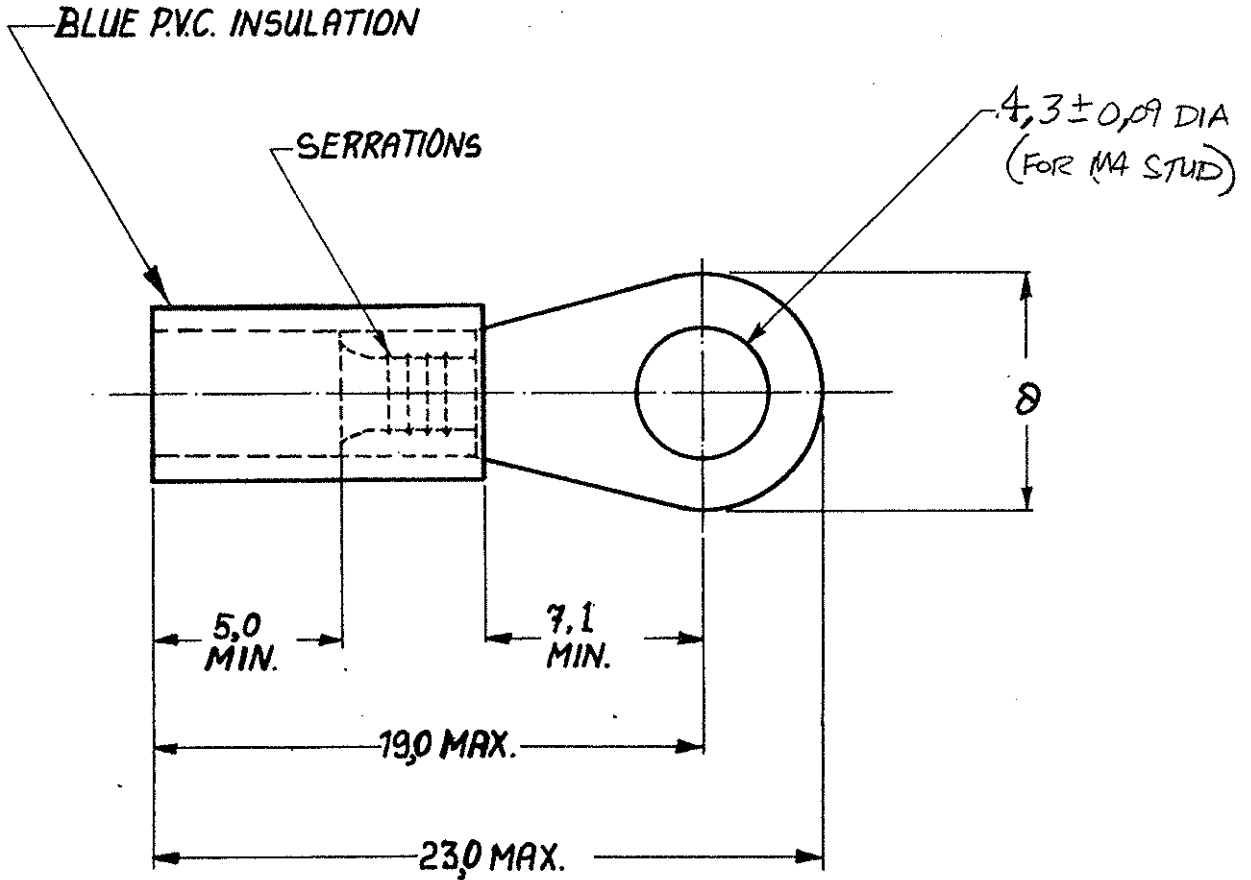


NUMBER C-165408-E



TONGUE MATERIAL THICKNESS: 0,8

REV C 30-8-85
DIMENSIONS IN M.M. DO NOT SCALE PRINT

CUSTOMER COPY FOR REFERENCE ONLY

©1970 BY AMP-HOLLAND N.V. ALL RIGHTS RESERVED A-MP PRODUCTS COVERED BY PATENTS AND/OR PATENTS PENDING.



AMP-HOLLAND N.V.
's-HERTOGENBOSCH
HOLLAND

2-165408-1 165408 TAPE MOUNTED
165408 COPPER TIN

WIRE-RANGE	INSUL.-RANGE	TYPE	DIN
15-2,5 mm ²	3,9 DIA. MAX.	PLASTI-GRIP	

ORDER NO.	MATERIAL	PLATING
-----------	----------	---------

SCALE	LOC	SIZE	NO	REV
4:1	H	A	C-165408-E	F1

DR. <i>R. G. J. J. J.</i>	DATE	DE	DATE
2/11-70			
CHK	DATE	APP. <i>[Signature]</i>	DATE
			1/11-1970

NAME INSULATED RINGTONGUE for stud M4