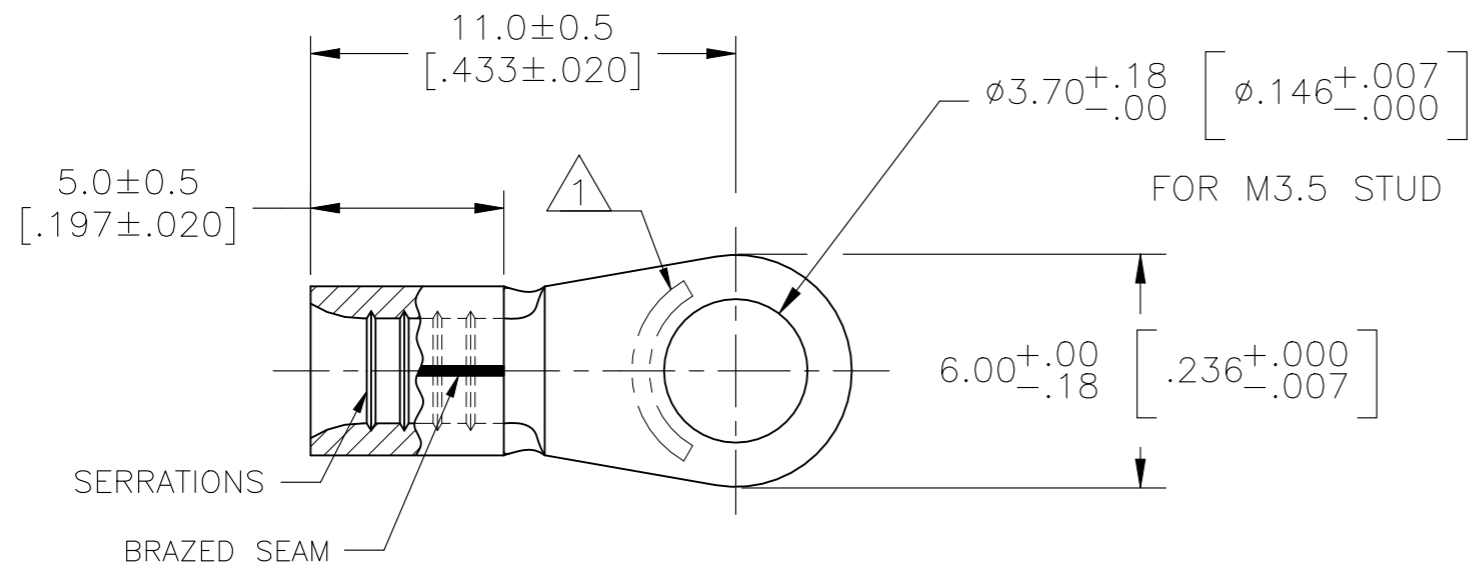
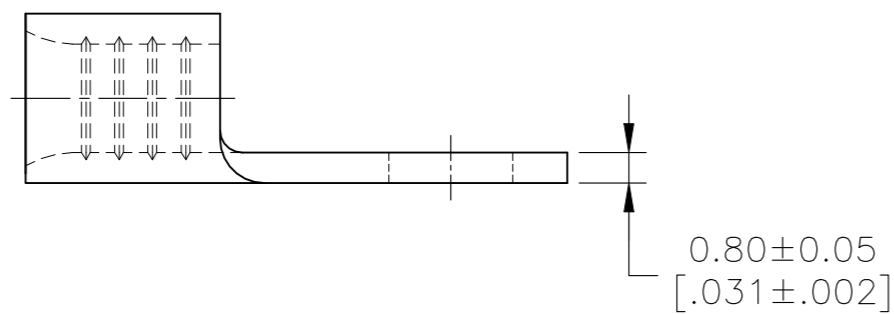


REVISIONS


P	LTR	DESCRIPTION	DATE	DWN	APVD
C1		REV PER ECR-24-197633	14FEB2024	LP	DSC



- △1 STAMP "AMP 3.5-2.5" APPROX AS SHOWN
- △2 MATERIAL: COPPER PER ASTM B152, ANNEALED
- △3 FINISH: TIN PLATE 0.0030[.000120] MIN EXT THK PER ASTM B545



5000	LOOSE PIECE	165296
QTY	PACKAGING TYPE	PART NO

THIS DRAWING IS A CONTROLLED DOCUMENT.		DWN SANTOSHACHAR S 27DEC2023	 TE Connectivity														
DIMENSIONS: mm [INCHES]		CHK CHETHAN SUVARNA D 27DEC2023															
TOLERANCES UNLESS OTHERWISE SPECIFIED:		APVD CHETHAN SUVARNA D 27DEC2023	NAME TERMINAL, RING TONGUE, SOLISTRAND, DIN 46234 WIRE SIZE: 1.5-2.5 mm ²														
<table border="1"> <tbody> <tr> <td>0 PLC</td> <td>± -</td> </tr> <tr> <td>1 PLC</td> <td>± -</td> </tr> <tr> <td>2 PLC</td> <td>± -</td> </tr> <tr> <td>3 PLC</td> <td>± -</td> </tr> <tr> <td>4 PLC</td> <td>± -</td> </tr> <tr> <td>ANGLES</td> <td>± -</td> </tr> </tbody> </table>		0 PLC	± -	1 PLC	± -	2 PLC	± -	3 PLC	± -	4 PLC	± -	ANGLES	± -	PRODUCT SPEC -	DRAWING NO A3 00779 C-165296		
0 PLC	± -																
1 PLC	± -																
2 PLC	± -																
3 PLC	± -																
4 PLC	± -																
ANGLES	± -																
MATERIAL △2		FINISH △3	APPLICATION SPEC -	SIZE A3	RESTRICTED TO -												
CUSTOMER DRAWING			WEIGHT -	CAGE CODE 00779	REV C1												
			SCALE 1:1	SHEET 1 OF 1													