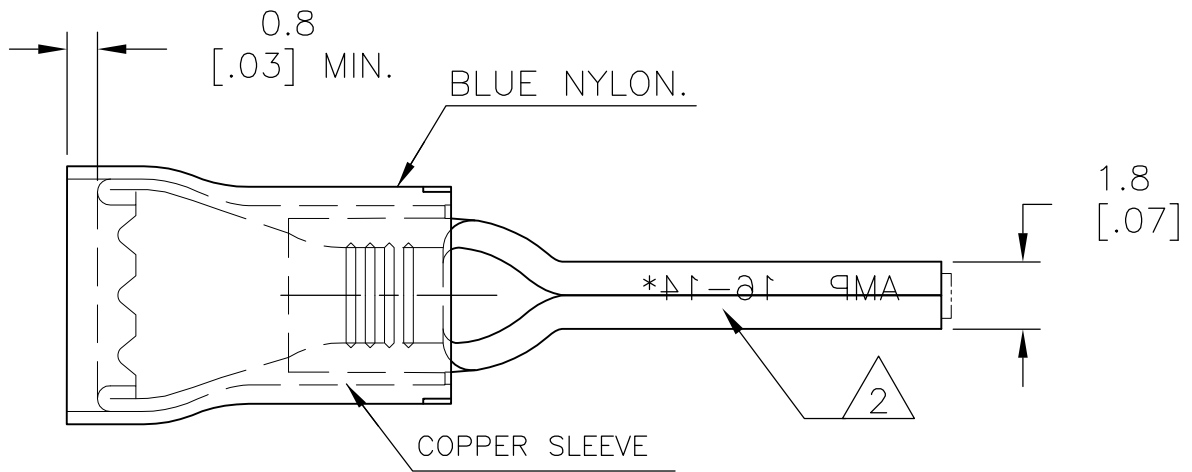


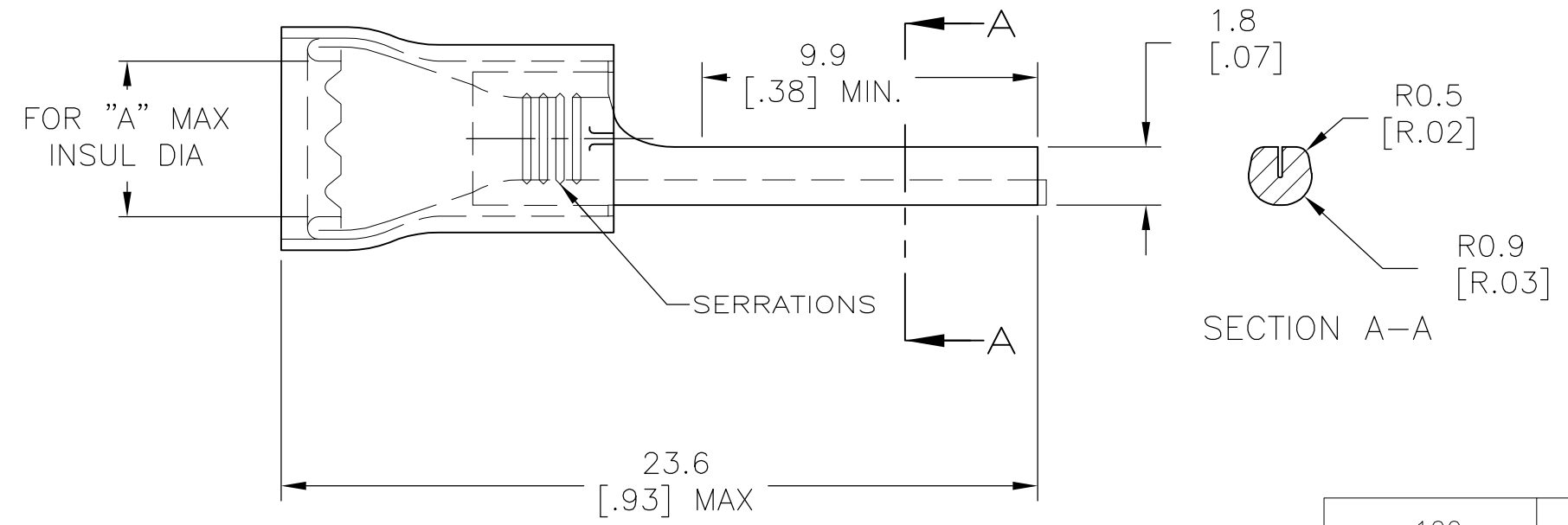
THIS DRAWING IS UNPUBLISHED. RELEASED FOR PUBLICATION  
 © COPYRIGHT - By - ALL RIGHTS RESERVED.

LOC	DIST	REVISIONS			
P	LTR	DESCRIPTION	DATE	DWN	APVD
G	86	K2	REVISED PER ECO-14-003208	17MAR2014	NK DR



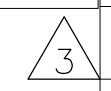
<b>AMP</b> WIRE RANGE	<b>3</b> <b>AW</b> FILE E13288
1.0-2.6mm <sup>2</sup> (16-14 AWG) STRANDED	16-14 AWG STRANDED

- 1 WIRE INSULATION DIA "A" MAX, SEE TABLE
- 2 STAMP AMP 16-14\* APPROX AS SHOWN
- 3 MAX RECOMMENDED OPERATING TEMPERATURE 105°C[221°F]



100	4.3[.17]	TIN PLATED	COPPER	8-165172-1
1000	4.8[.19]	TIN PLATED	COPPER	165172-2
<del>1000</del>	<del>4.6[.18]</del>	<del>TIN PLATED</del>	<del>COPPER</del>	<del>165172-1</del>
1000	4.3[.17]	TIN PLATED	COPPER	165172
PACKAGE QTY	DIM "A"	FINISH	MATERIAL	PART NO

SUPERSEDED BY  
165172-2



THIS DRAWING IS A CONTROLLED DOCUMENT.		DWN JR RUTH 19FEB04	<b>STE</b> TE Connectivity		
DIMENSIONS: mm [INCHES]		CHK T MICHIELUTTI 19FEB04			
TOLERANCES UNLESS OTHERWISE SPECIFIED:		APVD T MICHIELUTTI 19FEB04	NAME PIDG WIRE PIN ( LONG )		
0 PLC ± -		PRODUCT SPEC	-		
1 PLC ± -		APPLICATION SPEC	-		
2 PLC ± -		WEIGHT	-		
3 PLC ± -		CUSTOMER DRAWING	SIZE A3	CAGE CODE 00779	DRAWING NO C-165172
4 PLC ± -		SCALE	5:1	SHEET	1 OF 1
ANGLES ± -		RESTRICTED TO	-		
FINISH		REV	K2		