

THIS DRAWING IS UNPUBLISHED.

RELEASED FOR PUBLICATION

© COPYRIGHT - By - TE CONNECTIVITY

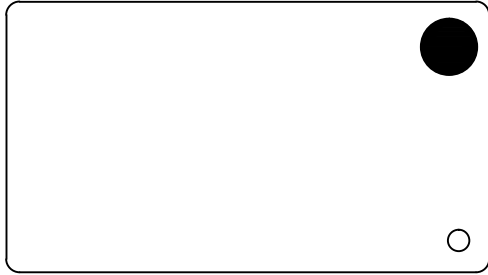
ALL RIGHTS RESERVED.

LOC
HB

DIST
-

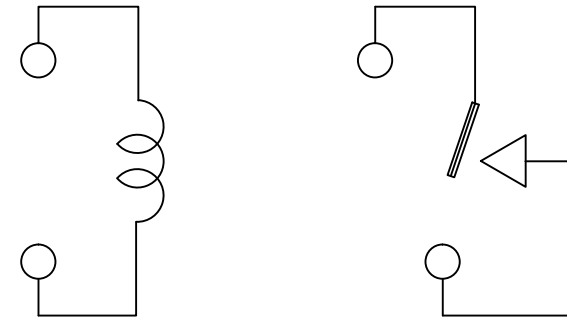
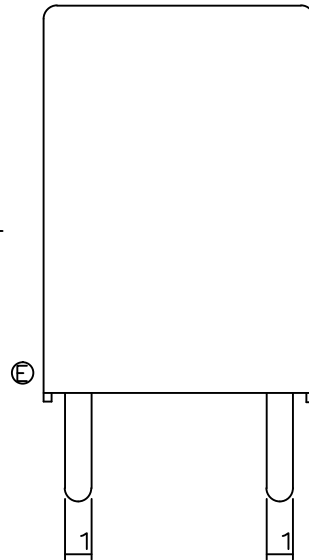
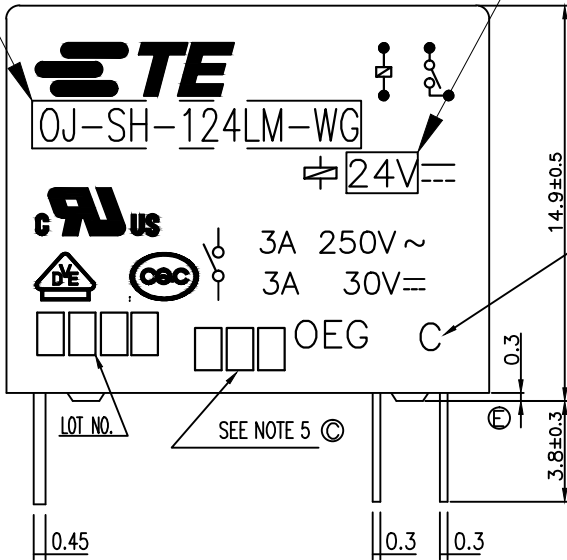
REVISIONS

P	LTR	DESCRIPTION	DATE	DWN	APVD
E		REMOVED THE RIB ON THE BASE TO CASE ECO-15-011310	03DEC2015	HYS	CHL



PART A

PART B



CONNECTION FIGURE

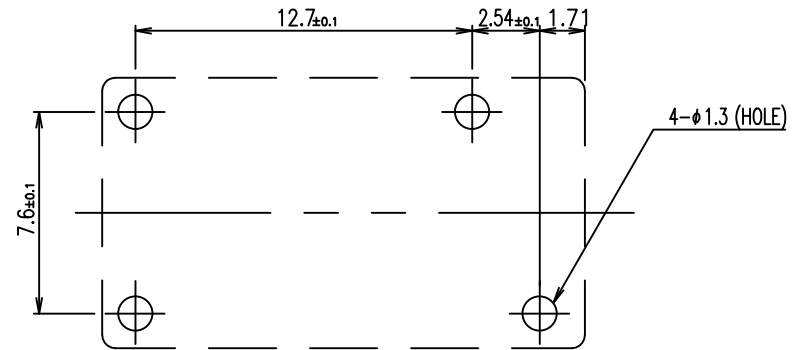
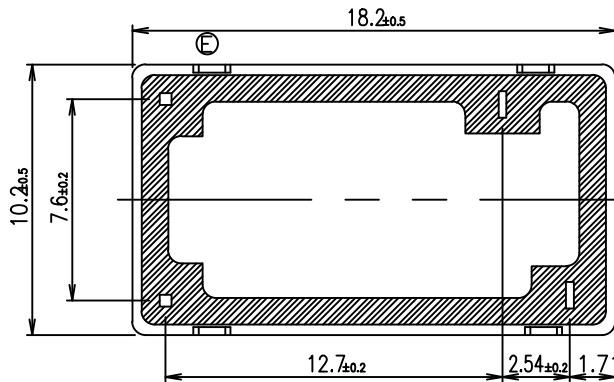


FIGURE FOR PRINTED CIRCUIT BOARD PROCESSING (BOTTOM VIEW)

Diagram dimension	Tolerance
0.99mm max.	±0.1mm
1 - 2.99mm	±0.2mm
3mm min.	±0.3mm



THIS DRAWING IS A CONTROLLED DOCUMENT.

DIMENSIONS:
mm

TOLERANCES UNLESS OTHERWISE SPECIFIED:



0 PLC	± -
1 PLC	± -
2 PLC	± -
3 PLC	± -
4 PLC	± -
ANGLES	± -
FINISH	-

MATERIAL

FINISH

DWN

BC.TANG

CHK

XN.ZHANG

APVD

W.YANG

PRODUCT SPEC

APPLICATION SPEC

WEIGHT

CUSTOMER DRAWING

NAME



TE Connectivity

OJ-LM-WG CUSTOMER DRAWING

SIZE

A3

CAGE CODE

00779

DRAWING NO

1649637

RESTRICTED TO

SCALE 5:1

SHEET 1 OF 2

REV E

THIS DRAWING IS UNPUBLISHED. RELEASED FOR PUBLICATION - , - .
 © COPYRIGHT - By - TE CONNECTIVITY ALL RIGHTS RESERVED.

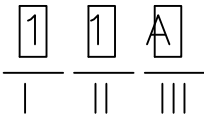
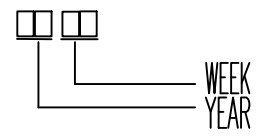
LOC	DIST	REVISIONS					
HB	-	P	LTR	DESCRIPTION	DATE	DWN	APVD
		-		SEE SHEET 1	-	-	-

1649637-6	OJ-SH-124LM-WG	24V	OJ-SH-124LM-WG	f
1649637-5	OJ-SH-112LM-WG	12V	OJ-SH-112LM-WG	e
1649637-4	OJ-SH-109LM-WG	9V	OJ-SH-109LM-WG	d
1649637-3	OJ-SH-106LM-WG	6V	OJ-SH-106LM-WG	c
1649637-2	OJ-SH-105LM-WG	5V	OJ-SH-105LM-WG	b
1649637-1	OJ-SH-103LM-WG	3V	OJ-SH-103LM-WG	a
TE PART NO	DESCRIPTION	PART B	PART A	TYPE

RELAY TYPE

ⓑ NOTES:

1. LOT NO. SYSTEM AS FOLLOWING: ⓐ 5. ADD LOT NO. SYSTEM AS FOLLOWING;



I, DIGITS FOR DAY OF THE WEEK
 1...MONDAY IN THIS WEEK;
 2...TUESDAY IN THIS WEEK;

 7...SUNDAY IN THIS WEEK
 II, DIGITS FOR SHIFT OF THE DAY
 1...DAY SHIFT IN THIS DAY;
 2...NIGHT SHIFT IN THIS DAY;
 III, ONE CHARACTER DISTINGUISH THE LINE IDENTITY,
 SUCH AS: A,B.....Z

Ⓒ 2. TERMINAL DIMENSION IS BEFORE SOLDER DIP;

Ⓒ 3. FOR THE TIN-PLATING OF THE PINS:
 +0.1mm FOR WIDTH, THICKNESS AND DIAMETER.
 +0.5mm FOR LENGTH.

ⒹⒸ 4. USED WELDED CONTACT & LASER MARKING

		EPOXY RESIN	UV SEAL 3056C(VENT HOLE)	16
		EPOXY RESIN	SEEL (BASE & BOBBIN)	15
		MW79	MAGNETIC WIRE	14
94V-0		NYLON	CASE	13
94V-0		P.E.T	BASE	12
94V-0		NYLON	BOBBIN	11
	SOLDER DIP	C.P WIRE	COIL TERMINAL	10
94V-0		P.P.S	CARD	9
		Ag ALLOY	MOVABLE CONTACT	8
		Ag ALLOY	NO.CONTACT	7
		STEEL	HINGE SPRING	6
	SOLDER DIP	Cu ALLOY	NO.TERMINAL	5
	SOLDER DIP	Cu ALLOY	MOVABLE SPRING	4
	NIP	STEEL	CORE	3
	NIP	STEEL	ARMATURE	2
	NIP	STEEL	YOKE	1
INCOMBUSTIBILITY	TREATMENT	MATERIAL	DESCRIPTION	ITEM

THIS DRAWING IS A CONTROLLED DOCUMENT.		DWN	BC.TANG	-
DIMENSIONS: mm		CHK	XN.ZHANG	-
TOLERANCES UNLESS OTHERWISE SPECIFIED:		APVD	W.YANG	-
		PRODUCT SPEC	NAME	
0 PLC ± - 1 PLC ± - 2 PLC ± - 3 PLC ± - 4 PLC ± - ANGLES ± -		APPLICATION SPEC	-	
MATERIAL	FINISH	WEIGHT	-	
-	-	CUSTOMER DRAWING	SIZE A3	CAGE CODE 00779
			DRAWING NO	RESTRICTED TO
			1649637	-
			SCALE 5:1	SHEET 2 OF 2
			REV	E



OJ-LM-WG CUSTOMER DRAWING