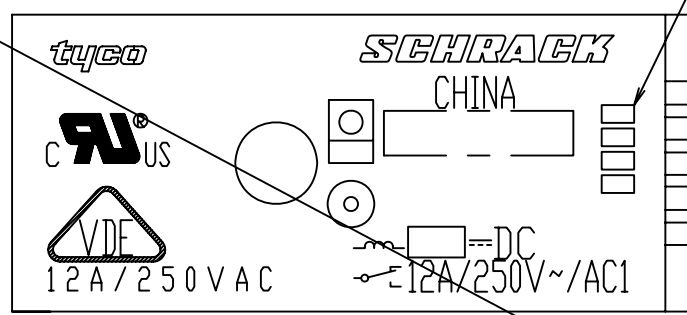


THIS DRAWING IS UNPUBLISHED. RELEASED FOR PUBLICATION
 ©COPYRIGHT BY TYCO ELECTRONICS CORPORATION. ALL RIGHTS RESERVED.

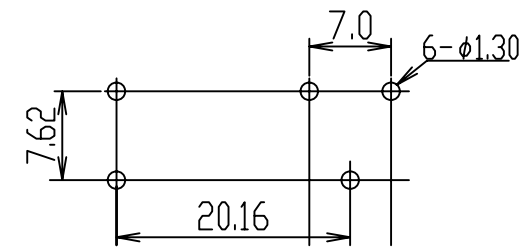
LOC	DIST	REVISIONS						
HH		P	LTR	DESCRIPTION	ECO	DATE	DWN	APVD
			C	change Status	ECO-09-015715	6-JUL-09	LUD	ZH



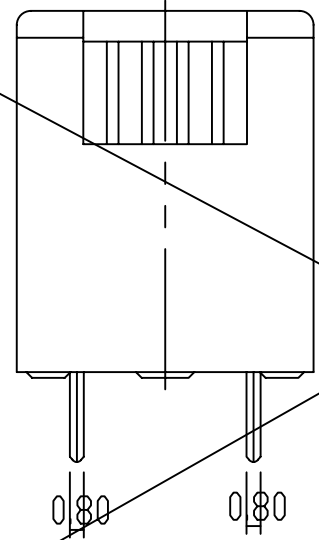
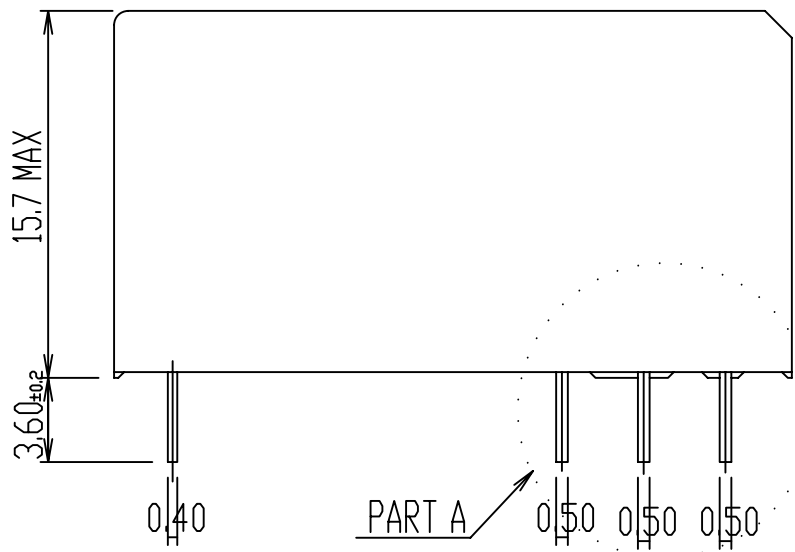
CONNECTION DIAGRAM (BOTTOM VIEW)



PCB LAYOUT (BOTTOM VIEW)

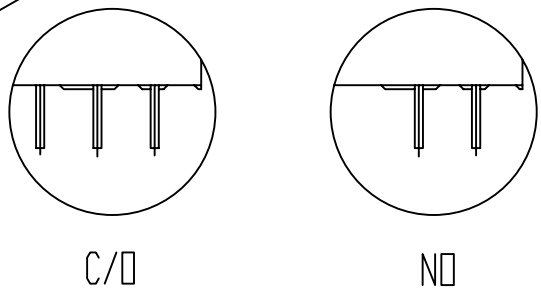
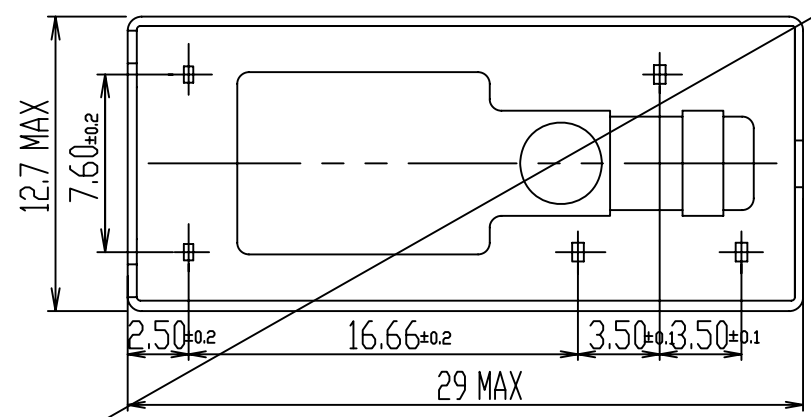


NOTE
 1. SUFFIX "AP" NO MARKED ON RELAYS COVER(CASE), MEANS PACKAGING ONLY.



3-1649326-6	RT134110AP	36
3-1649326-5	RT134060AP	35
3-1649326-4	RT134048AP	34
3-1649326-3	RT134024AP	33
3-1649326-2	RT134018AP	32
3-1649326-1	RT134012AP	31
3-1649326-0	RT134009AP	30
2-1649326-9	RT134006AP	29
2-1649326-8	RT134005AP	28
2-1649326-7	RTB34110AP	27
2-1649326-6	RTB34060AP	26
2-1649326-5	RTB34048AP	25
2-1649326-4	RTB34024AP	24
2-1649326-3	RTB34018AP	23
2-1649326-2	RTB34012AP	22
2-1649326-1	RTB34009AP	21
PART NO	DESCRIPTION	ITEM

2-1649326-0	RTB34006AP	20
1-1649326-9	RTB34005AP	19
1-1649326-8	RT114110AP	18
1-1649326-7	RT114060AP	17
1-1649326-6	RT114048AP	16
1-1649326-5	RT114024AP	15
1-1649326-4	RT114018AP	14
1-1649326-3	RT114012AP	13
1-1649326-2	RT114009AP	12
1-1649326-1	RT114006AP	11
1-1649326-0	RT114005AP	10
1649326-9	RTB14110AP	9
1649326-8	RTB14060AP	8
1649326-7	RTB14048AP	7
1649326-6	RTB14024AP	6
1649326-5	RTB14018AP	5
1649326-4	RTB14012AP	4
1649326-3	RTB14009AP	3
1649326-2	RTB14006AP	2
1649326-1	RTB14005AP	1
PART NO	DESCRIPTION	ITEM



PART A

RELAY TYPE

OBSOLETE

Diagram dimension	Tolerance
0.99mm max.	±0.1mm
1 - 2.99mm	±0.2mm
3mm min.	±0.3mm

THIS DRAWING IS A CONTROLLED DOCUMENT FOR TYCO ELECTRONICS CORPORATION IT IS SUBJECT TO CHANGE AND THE CONTROLLING ENGINEERING ORGANIZATION SHOULD BE CONTACTED FOR THE LATEST REVISION.		DWN	H.XIAO
DIMENSIONS: mm		CHK	T.FUKAYA
TOLERANCES UNLESS OTHERWISE SPECIFIED:		APVD	M.J.HO
0 PLC	±	PRODUCT SPEC	
1 PLC	±	APPLICATION SPEC	
2 PLC	±	WEIGHT	
3 PLC	±	CUSTOMER DRAWING	
4 PLC	±		
ANGLES	±		
MATERIAL	FINISH		
SEE MATERIAL TABLE			

Tyco Electronics		SCHRACK	
NAME			
RT 12A 3.5PIN CUSTOMER DRAWING			
SIZE	CAGE CODE	DRAWING NO	RESTRICTED TO
A3	00779	1649326	
SCALE 3:1		SHEET 1 OF 2	REV C

APVD BY SCHRACK:

