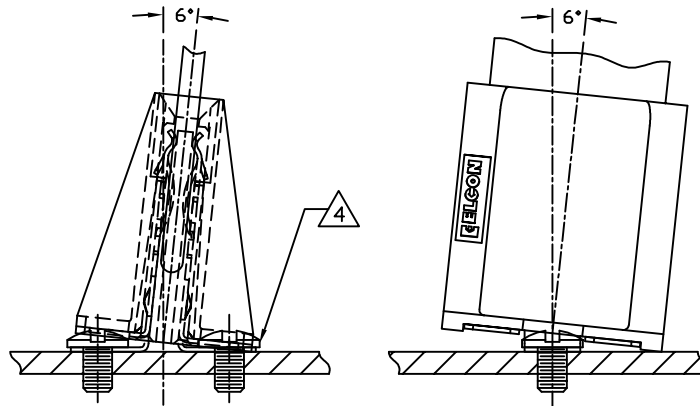
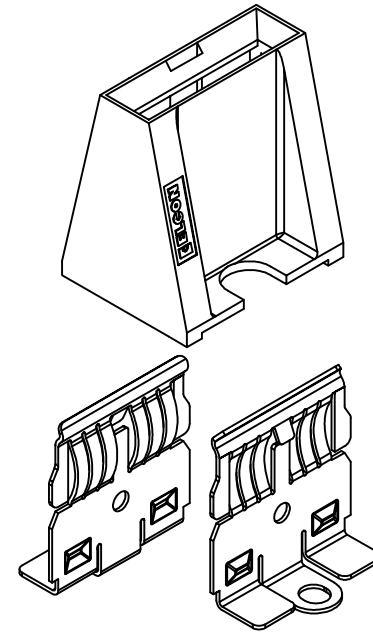


This drawing involves proprietary design rights of Tyco Electronics Corporation, and all design, manufacture, reproduction, use and sale rights regarding the same are expressly reserved. It is submitted for a specific purpose and the recipient by accepting this drawing, assumes custody and control and agrees to take reasonable precautions: (a) that this drawing will not be copied and reproduced, in whole or in part, or its contents revealed in any manner, or to any person except to meet the purpose for which it was delivered and (b) that any special features peculiar to this design will not be incorporated in other projects without the expressed written permission of Tyco Electronics Corporation.



CONNECTOR SHOWN AT 6° OF FLOAT
(SCREWS ARE SHOWN FOR REFERENCE ONLY)

REVISIONS			
EC	REV	DESCRIPTION	DATE
—	A	NEW RELEASE, PREVIOUSLY CUD 399-024	02/25/06



BEFORE ASSEMBLED

6. ITEMS PROVIDED TO THIS SPECIFICATION TO BE PERMANENTLY IDENTIFIED PER THE FOLLOWING IDENTIFIER:

YEAR WEEK
 TYCO PART NUMBER DATE CODE (e.g. 0625)
 XXXXXXXX-X XXXX

5. ALL DIMENSIONS SHOWN ACROSS A CENTERLINE (⊥) SHALL BE CENTRALIZED WITHIN THE TOLERANCE INDICATED FOR THAT DIMENSION.

4. USER SUPPLIED MOUNTING HARDWARE: #8 OR M4 SCREWS (2X).

3. FINISHES:

CONTACT: GOLD PLATED, .000030 MIN THICK
 OVER NICKEL PLATED, .000040 MIN THICK

2. MATERIALS:

INSULATOR: THERMOPLASTIC, GLASS REINFORCED,
 UL94V-0 FLAMMABILITY RATED, COLOR-BLACK

CONTACT: COPPER ALLOY

MATING BLADE: COPPER ALLOY WITH GOLD OR NICKEL PLATED

1. PART NUMBER CHANGES AND OR DESIGN CHANGES AFFECTING ITEM INTERCHANGEABILITY REQUIRE PRIOR ELCON APPROVAL AND AUTHORIZATION BY REVISION TO THIS DRAWING.

NOTES: UNLESS OTHERWISE SPECIFIED

INCH OR INCH (MM) THIRD ANGLE PROJECTION UNLESS OTHERWISE SPECIFIED DIMENSIONS ARE IN INCHES (METRIC) TOLERANCES ANGLES ± .5° DECIMALS .XXX ± .010 (.25) .XX ± .02 (.3)	DRAWN HA NGUYEN	DATE 02/25/06	1643903-1	AS SHOWN
	CHECKED		PART NUMBER	DESCRIPTION
	APPROVED		Tyco Electronics Corporation Menlo Park, Ca 94025	
	APPROVED STEVE FLICKINGER	02/25/06	TITLE CONNECTOR, SOCKET STRAIGHT MOUNT, CROWN CLIP II	
	DCA APPROVED HA NGUYEN	02/25/06	SIZE DWG NUMBER B C = 1643903	REV. A
	ACAD FILE NUMBER	C1643903A.DWG	DWG SCALE 2=1	SH 1 OF 2

4

3

2

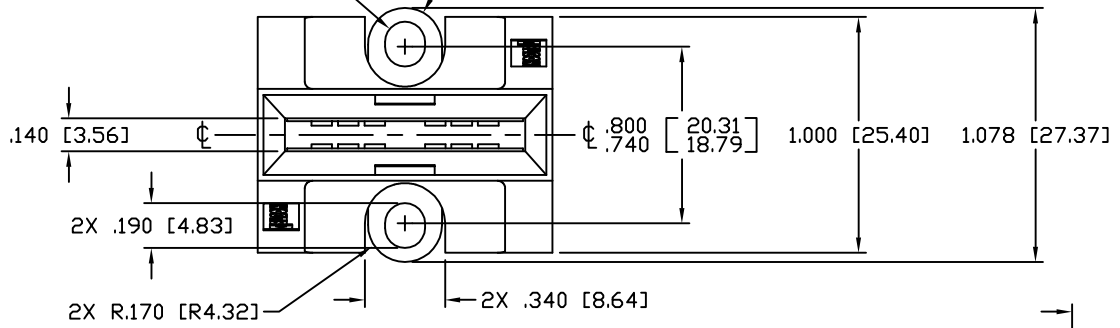
1

This drawing involves proprietary design rights of Tyco Electronics Corporation, and all design, manufacture, reproduction, use and sale rights regarding the same are expressly reserved. It is submitted for a specific purpose and the recipient by accepting this drawing, assumes custody and control and agrees to take reasonable precautions: (a) that this drawing will not be copied and reproduced, in whole or in part, or its contents revealed in any manner, or to any person except to meet the purpose for which it was delivered and (b) that any special features peculiar to this design will not be incorporated in other projects without the expressed written permission of Tyco Electronics Corporation.

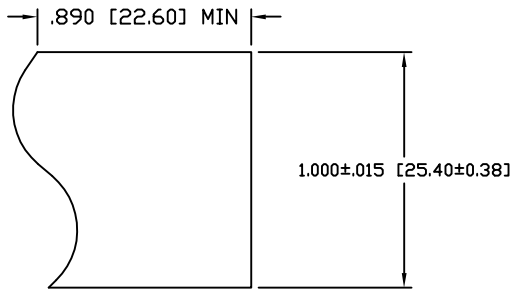
REVISIONS			
EC	REV	DESCRIPTION	DATE
		SEE SHEET 1	

4X R.085 [R2.16]
(CLEARANCE SLOT
FOR #8 OR M4 SCREW)

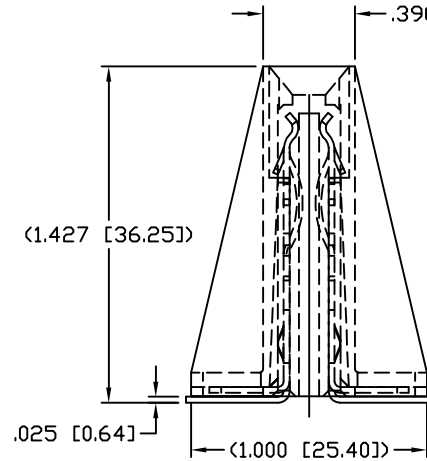
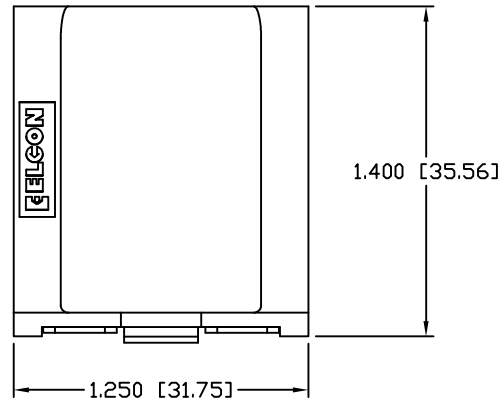
2X R.157 [R3.99]



.390 [9.91]



RECOMMENDED MATING BLADE



INCH OR INCH (MM) THIRD ANGLE PROJECTION UNLESS OTHERWISE SPECIFIED DIMENSIONS ARE IN INCHES (METRIC) TOLERANCES ANGLES ± .5° DECIMALS .XXX ± .010 (.25) .XX ± .02 (.3)	DRAWN	DATE	Tyco Electronics Corporation Menlo Park, Ca 94025
	HA NGUYEN	02/25/06	
	CHECKED		TITLE
	APPROVED		CONNECTOR, SOCKET STRAIGHT MOUNT, CROWN CLIP II
	APPROVED		SIZE DWG NUMBER
	STEVE FLICKINGER	02/25/06	B C = 1643903
	DCA APPROVED		REV.
	HA NGUYEN	02/25/06	A
	ACAD FILE NUMBER	C1643903A.DWG	DWG SCALE 2=1 SH 2 OF 2

4

3

2

1