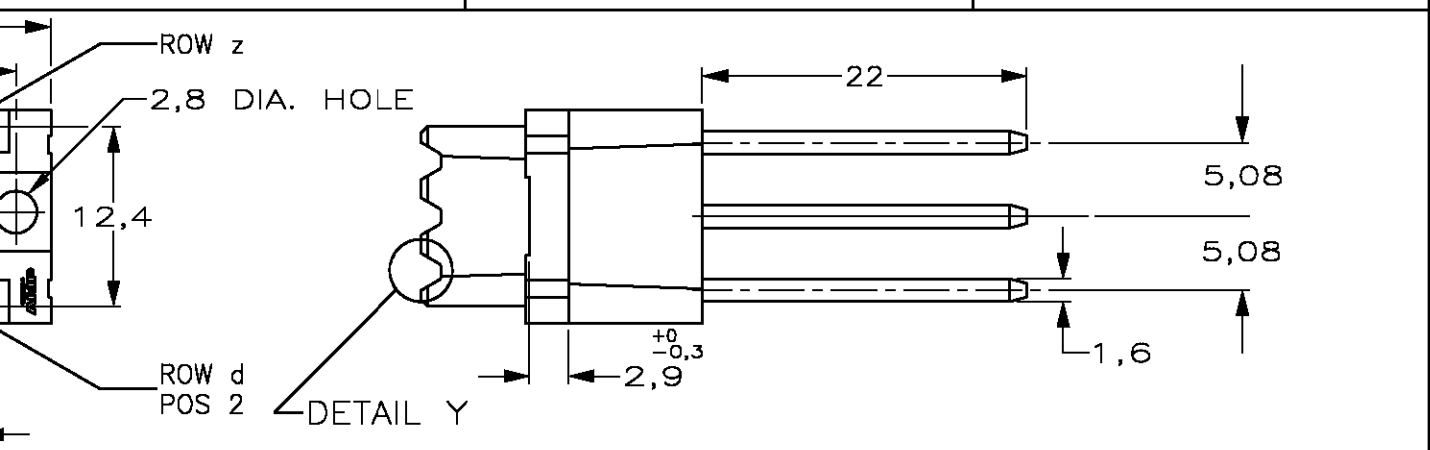
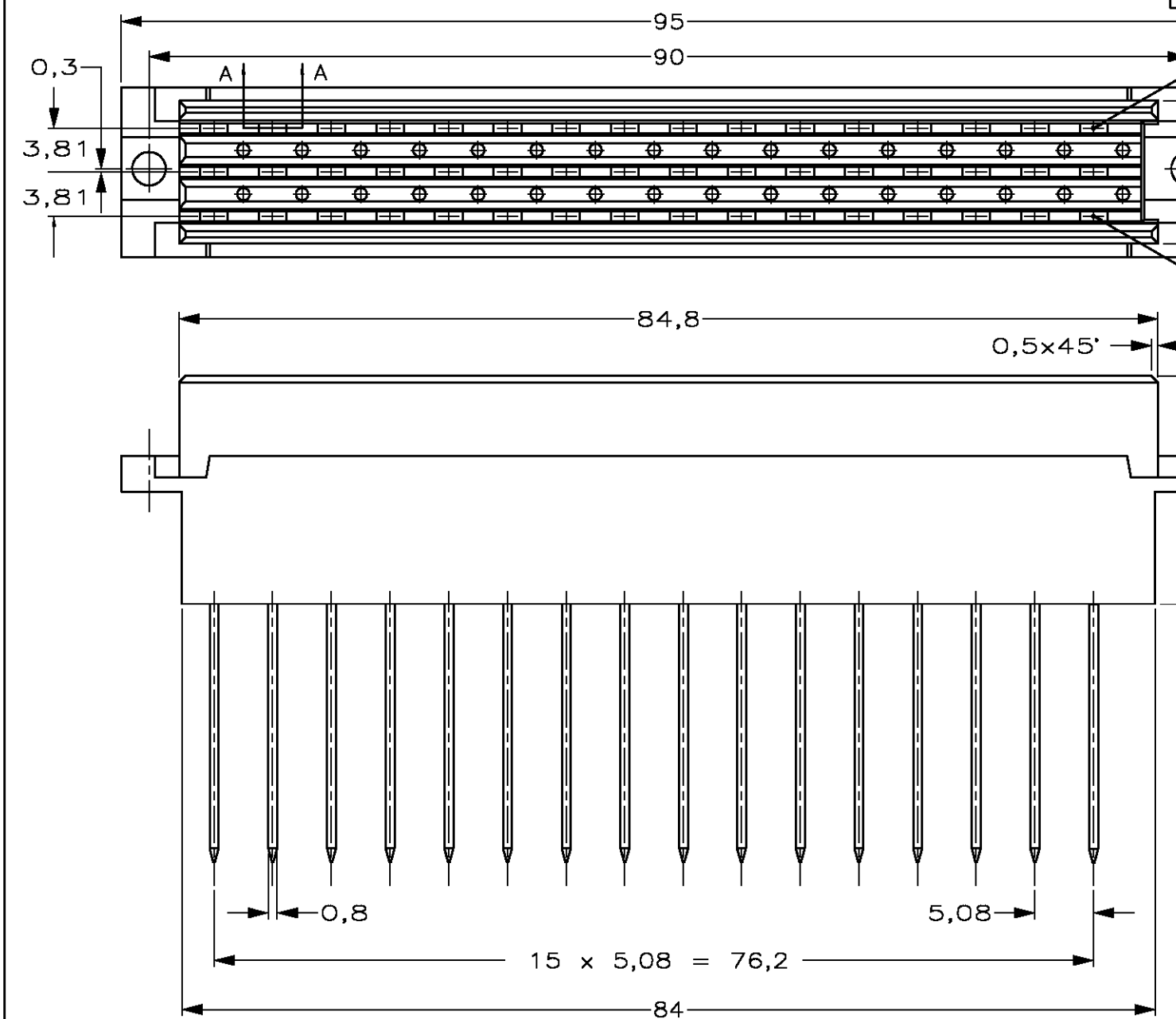


DO NOT SCALE  
DIMENSIONS IN mm

METRIC

THIRD ANGLE  
PROJECTION



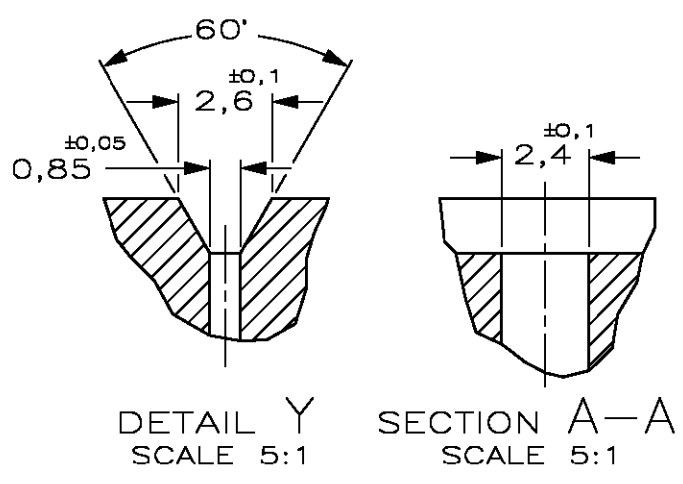
NOTES:

- ⚠ MATERIAL :
  - HOUSING : GLASSFILLED POLYCARBONATE (GREY).
  - CONTACTS: PHOSPHORBRONZE.
- ⚠ PLATING CONTACT :
  - 2- -1 : Au OVER Ni PERFORMANCE LEVEL I, ACC. IEC 603-2 AT CONTACT AREA. Au-FLASH OVER Ni AT POST AREA.
  - 2- -4 : SAME AS 2- -1 EXCEPT PERFORMANCE LEVEL II
  - 2- -6 : SAME AS 2- -1 EXCEPT 3,75µm Au OVER Ni.
  - 2- -7 : SAME AS 2- -1 EXCEPT 2,0µm Au OVER Ni.
  - 2- -8 : SAME AS 2- -1 EXCEPT PERFORMANCE LEVEL III

2--8 OBSOLETE			<del>2-164241-8</del>
			2-164241-7
2--6 OBSOLETE	SEE NOTE 2	SEE NOTE 1	<del>2-164241-6</del>
			2-164241-4
			2-164241-1

POS	2	4	6	8	10	12	14	16	18	20	22	24	26	28	30	32
ROW z	X	X	X	X	X	X	X	X	X	X	X	X	X	X	X	X
ROW d	X	X	X	X	X	X	X	X	X	X	X	X	X	X	X	X
ROW POS 2	X	X	X	X	X	X	X	X	X	X	X	X	X	X	X	X

AN ASTERISK "X" DENOTES A CONTACT.



		FINISH			MATERIAL	PARTNUMBER
N	SR10-0246-02	BC	BC	23 May '02		
M	EH-1256-96	J.G.	J.G.	23-06-97		
L	EH-0467-96	J.G.	J.G.	22-05-97		
K	EH-1280-95	J.G.	R.v.L	25-10-95		
LTR.	REVISION RECORD	DR.	CHK.	DATE		
DR.:	Colpaert B.	CHK.:	Colpaert B.	APP.:	Colpaert B.	DWG.No. C-164241
DATE:		DATE:		DATE:		REV.LTR. N
						SHEET 1 OF 1

**CUSTOMER DRAWING** FOR REFERENCE ONLY WILL NOT BE UPDATED

© COPYRIGHT 19 - BY Tyco Electronics EC N.V. ALL INTERNATIONAL RIGHTS RESERVED. AMP PRODUCTS MAY BE COVERED BY U.S. AND FOREIGN AND/OR PATENTS PENDING. THIS DRAWING IS UNPUBLISHED RELEASED FOR PUBLICATION

**tyco Electronics** Tyco Electronics EC N.V. Oostkamp - Belgium

NAME 48 POS. FEMALE P.C. CONN. ACC. TO DIN 41612 F48F-CIM WITH STANDARD TERMI POINT POSTS