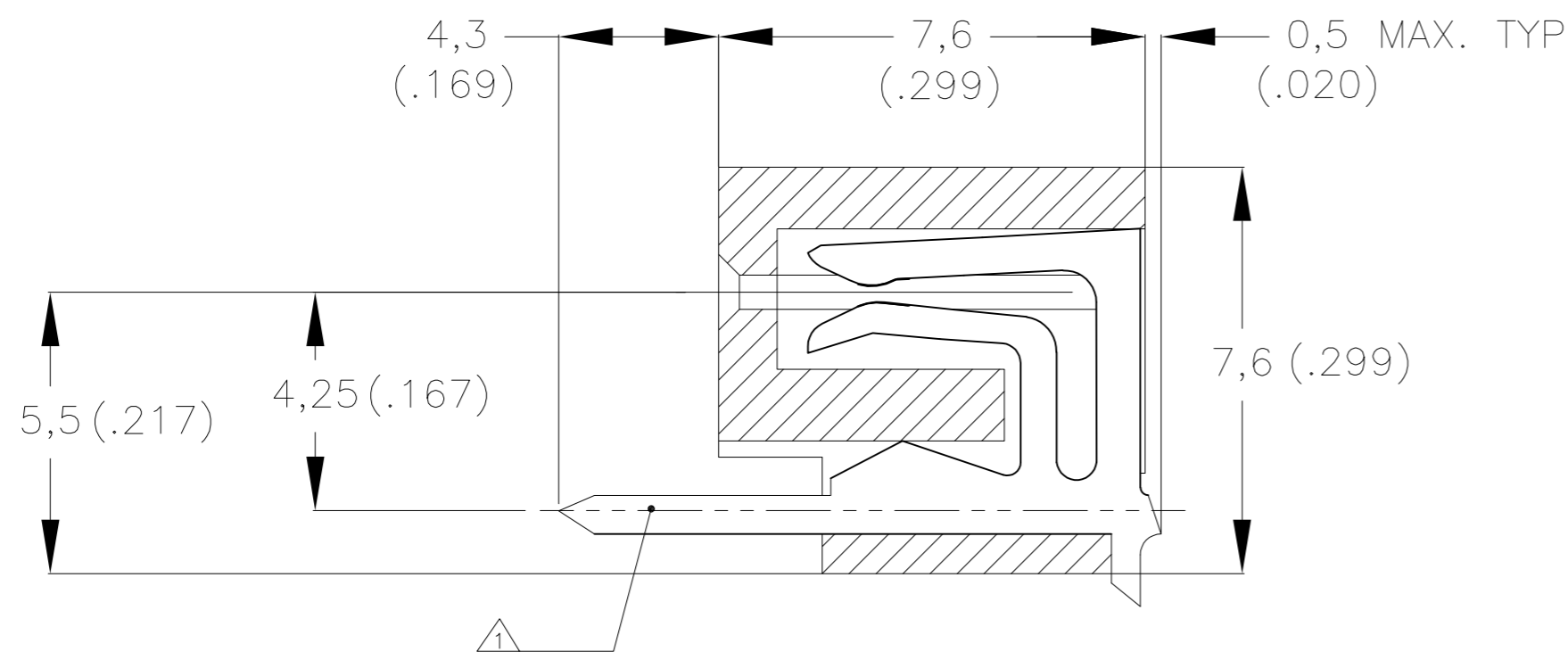
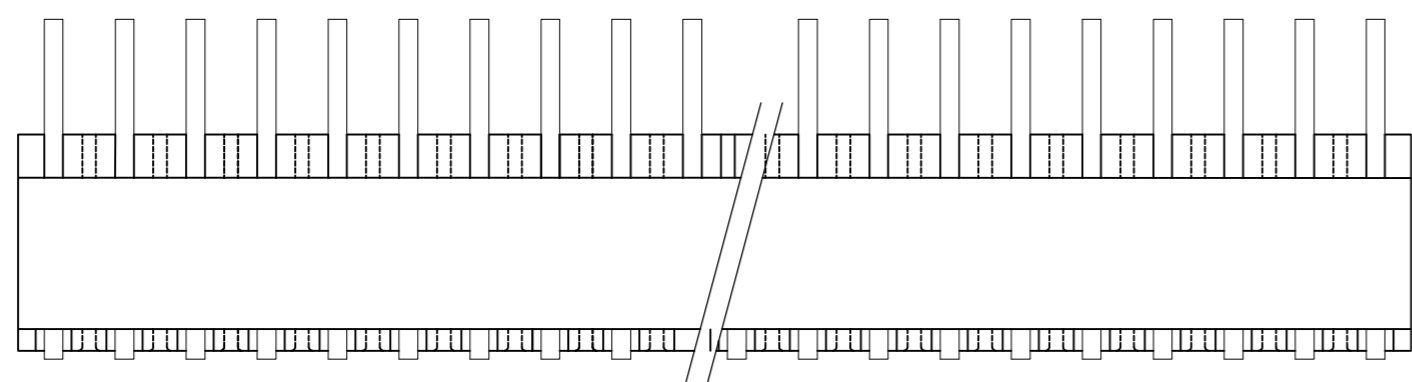
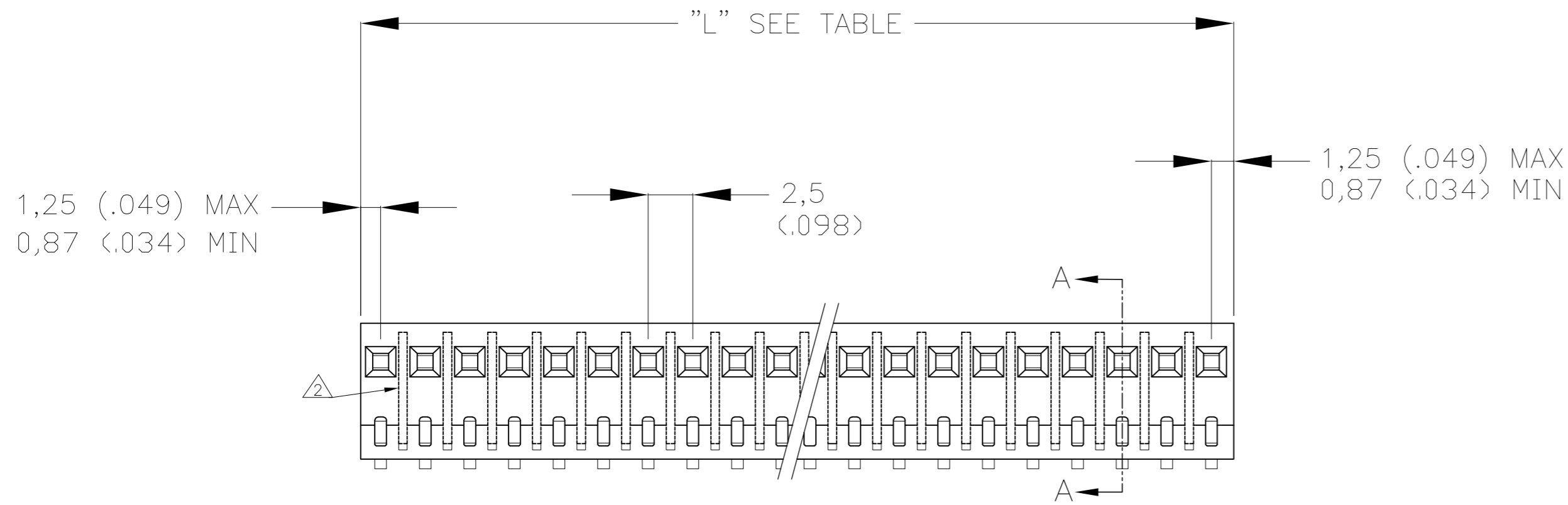


THIS DRAWING IS UNPUBLISHED. RELEASED FOR PUBLICATION
 © COPYRIGHT - By - ALL RIGHTS RESERVED.

LOC		DIST		REVISIONS			
P	LTR	DESCRIPTION		DATE	DWN	APVD	
H	-	E2	PART STATUS UPDATED	17NOV2021	GMN	SS	



NOTES:

- 1. PREFERRED HOLE SIZE: 0,8 (+0,1/-0,0) (.031) 0,9 (+0,1/-0,0) (.035) 1,0 (+0,1/-0,0) (.039) DEPENDING ON NUMBER OF POSITIONS OF CONNECTOR FOR MORE INFORMATION PLEASE CONTACT PRODUT-ENGINEERING DEPARTMENT.
- 2. VERSIONS WITH OR WITHOUT SLOTS BETWEEN CAVITIES CAN BE USED INDIFFERENTLY
- 3. OBSOLETE

"L" MAX		NUMBER OF LOADED POS.	ORDER NO.
mm	(inches)		
7,6	0,300	3	163681-1
10,1	0,398	4	163681-2
12,6	0,497	5	163681-3 3
15,1	0,595	6	163681-4 3
17,6	0,694	7	163681-5
20,1	0,792	8	163681-6
22,6	0,890	9	163681-7 3
25,1	0,989	1	163681-8 3
27,6	1,087	11	163681-9
30,1	1,186	12	163681-1 3
32,6	1,284	13	163681-2 3
35,1	1,382	14	163681-3 3
37,6	1,481	15	163681-4 3
40,1	1,579	16	163681-5 3
42,6	1,678	17	163681-6 3
45,1	1,776	18	163681-7 3
47,6	1,875	19	163681-8 3
50,1	1,973	20	1-163681-9
52,6	2,071	21	2-163681-0 3
55,1	2,170	22	2-163681-1 3
57,6	2,268	23	2-163681-2 3
60,1	2,367	24	2-163681-3 3

MATERIAL: HOUSING: GRAY CRASTIN SK643FR
 RECEPTACLES: BRASS: TIN PLATED OVER NICKEL-BARRIER

THIS DRAWING IS A CONTROLLED DOCUMENT.		DWN 16-03-1973	 TE Connectivity
		CHK 19-03-1973	
DIMENSIONS: mm [INCHES]	TOLERANCES UNLESS OTHERWISE SPECIFIED:	APVD -	NAME
	0 PLC ± -	PRODUCT SPEC	FEMALE CONN.FOR COMMERCIAL INTERCONNECTION SYSTEM 2,5mm PITCH. BOTTOM ENTRY
	1 PLC ± -	APPLICATION SPEC	
	2 PLC ± -		SIZE CAGE CODE DRAWING NO
	3 PLC ± -		A2 00779 C=163681
	4 PLC ± -		RESTRICTED TO
	ANGLES ± -		
MATERIAL SEE TABLE	FINISH -	WEIGHT -	SCALE 4:1 SHEET 1 of 1 REV E2
		CUSTOMER DRAWING	