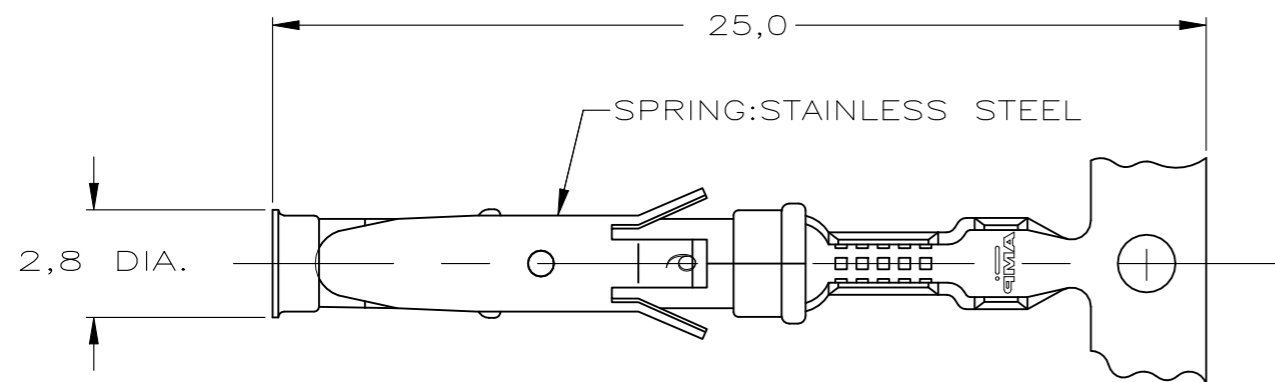
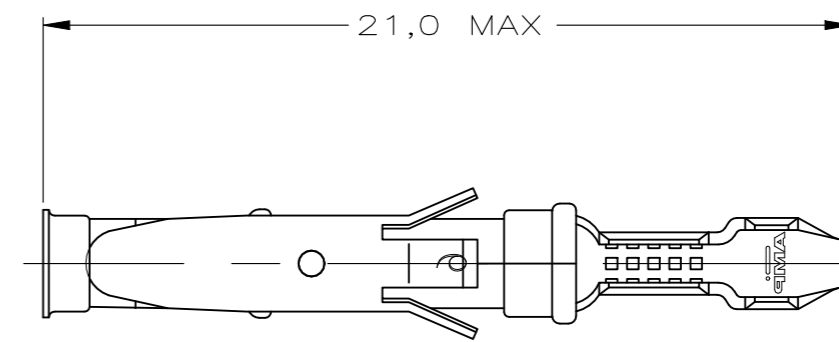


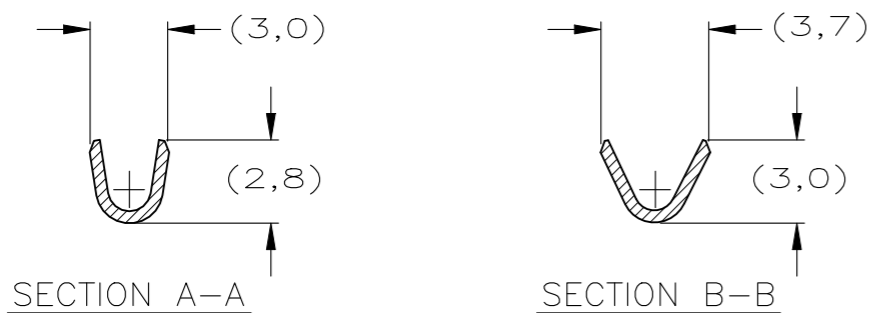
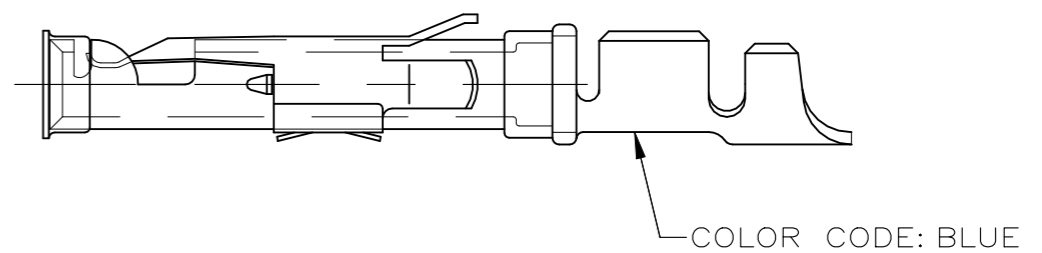
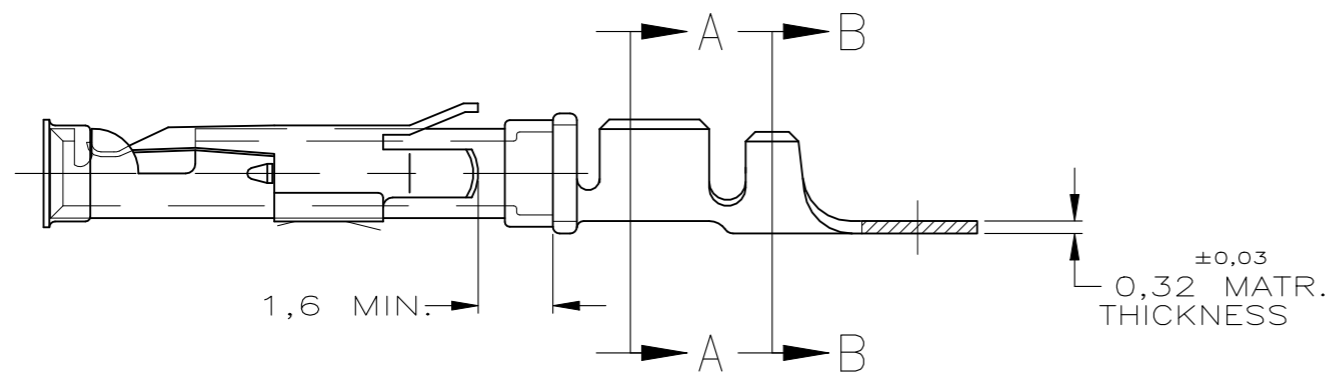
P	LTR	DESCRIPTION	DATE	DWN	APVD
	BA	ECO-21-006957	25JUN2021	RK	MZ



STRIP

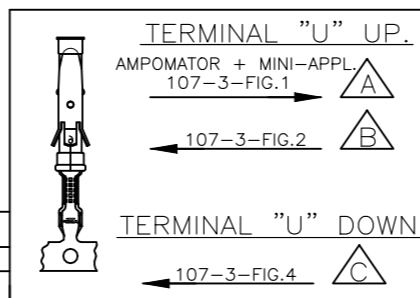


LOOSE-PIECE



WIRE RANGE : 0,75-1,50 mm² (18-16 AWG)
 INSUL. RANGE : 2,0-2,5 mm (.080-.100)

REVISION	DESCRIPTION	DATE	DWN	APVD
△21	5-163083-3	21JULY2015	M THAJUDEEN	
△22	5-163083-2	21JULY2015	GANI NIMBENNAPPA	
△20	5-163083-1	21JULY2015	PRASHANTH S	
△31	1-163083-4	21JULY2015		
△30	1-163083-3	21JULY2015		
△28	1-163083-2	21JULY2015		
△21	1-163083-1	21JULY2015		
△21	1-163083-0	21JULY2015		
△28	163083-9	21JULY2015		
△20	163083-8	21JULY2015		
△22	163083-7	21JULY2015		
△22	163083-2	21JULY2015		
△20	163083-1	21JULY2015		



- NOTES :
- △1 UL RECOGNIZED UNDER E28476 VOL VI SEC I
 - 2 FOR CRIMP DETAILS SEE SPEC. 114-19000
 - 3 MEETS PRODUCT SPECIFICATION 108-10042
 - △4 SPECIAL REEL WITH 200PCS FOR REEL-FED HAND-TOOL
 - △5 OBSOLETE PARTS: OBSOLETE CIS STREAMLINING PER D.RENAUD/D.SINISI
 - △6 OBSOLETE
 - 7 OMISSION OF 6 CONTACTS MAX PER REEL OF 5000PCS
 - △31 LUBRICATED

NOTES	MATERIAL	THICKNESS	AREA
△20	TIN	2,0 μm	ALL OVER
△21	NICKEL GOLD TIN	.76 μm 1.01 μm	ALL OVER CONTACT AREA BARREL
△22	NICKEL GOLD TIN	1.27 μm .76 μm 1.01 μm	ALL OVER CONTACT AREA BARREL
△23	NICKEL GOLD GOLD	1,2 μm	ALL OVER CONTACT AREA ALL OVER
△27	NICKEL SILVER TIN	2,5 μm	ALL OVER CONTACT AREA BARREL
△28	SILVER NICKEL	1,5-2,5 μm 0,76 μm	ALL OVER
△29	SILVER	2,5 μm	ALL OVER
△30	NICKEL TIN	1,27 μm 1,27 μm	ALL OVER ALL OVER

THIS DRAWING IS A CONTROLLED DOCUMENT.

DIMENSIONS:	TOLERANCES UNLESS OTHERWISE SPECIFIED:
mm	
0 PLC	± -
1 PLC	± -
2 PLC	± -
3 PLC	± -
4 PLC ANGLES	± -
MATERIAL	FINISH
REFER TABLE	REFER TABLE

DWN	21JULY2015
M THAJUDEEN	
CHK	21JULY2015
GANI NIMBENNAPPA	
APVD	21JULY2015
PRASHANTH S	
PRODUCT SPEC	NAME
108-10042	
APPLICATION SPEC	
114-19000	
WEIGHT	
-	

STE TE Connectivity			
TYPE III+, SIZE 16, SOCKET ASS'Y, 18-16 AWG, 2.0-2.5mm DIA INSULATION			
SIZE	CAGE CODE	DRAWING NO	RESTRICTED TO
A3	00779	C-163083	-
CUSTOMER DRAWING		SCALE	SHEET 1 OF 1
			REV BA